

**KEEP THIS INSTRUCTION BOOKLET FOR FUTURE REFERENCE**

Important : Please register your product online at [www.santecfaucet.com](http://www.santecfaucet.com) within 30 days of purchase. Santec reserves the right to request additional documents before servicing warranty requests.

## Specifications

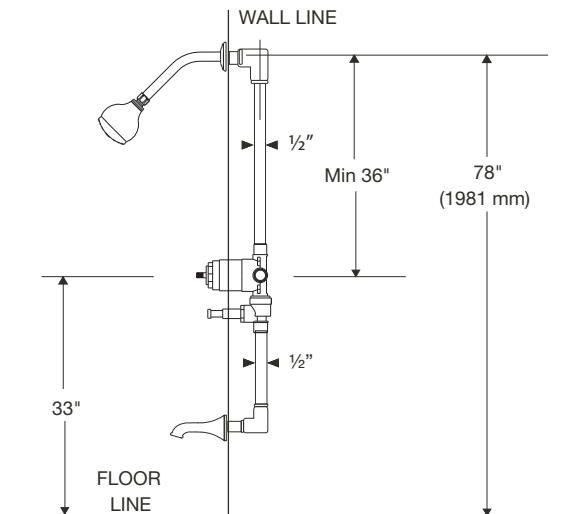
### Description

This product is precision engineered to provide satisfactory performance provided it is installed and operated in accordance with our recommendations contained in this manual. In order to fully enjoy the comfort, safety and the reliability of your pressure balancing valve, be certain to familiarize yourself with the contents of this manual.

### Specification and Dimensions

- Minimum operating pressure 20 psi
- Maximum operating pressure 145 psi
- Maximum test pressure 500 psi
- Hot and cold water inlets 1/2" IPS
- Shower outlet 1/2" IPS
- Flow capacity 5 USGPM @ 50 psi
- Finished wall adjustment : **See Figure 1**

**NOTE: THIS IS A GRAVITATIONAL FLOW VALVE. TUB OUTLET TO BE UNRESTRICTED. SHOWER OUTLET TO BE MINIMUM 36" FROM VALVE CENTER.**



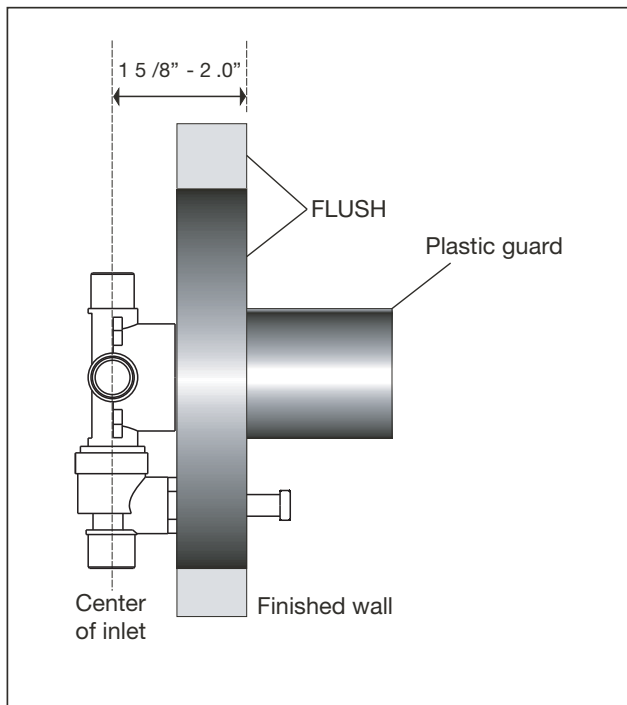
# Pressure Balanced Shower Valve

## 1. Rough-in & Valve Installation

NOTE: Failure to follow these instructions may cause damage or improper operations and nullify the warranty.

1. Make sure the water supplies are off.
2. Rough valve body into wall, connecting piping to 1/2" female copper sockets or 1/2" male I.P. nipples. **IMPORTANT: NOTE "UP" & "DOWN" MARKINGS ON BACK OF VALVE.**
3. The depth of rough-in should account for thickness of wall materials to be used (combined thickness of wall board and finished wall material). **The distance between the center inlet of the valve and the finished wall should be between 1 5/8" and 2"**. Face of plastic guard should be flush with finished wall (see Figure 1).
4. Anchor installation to bracing between studs (ears on the valve body can be used for this by removing the plastic guard) - otherwise, anchor the connecting pipe.
5. Valve should be pressurized and tested for leaks at the connections.
6. Plastic guard should be left attached to the valve until the finished wall material is installed and until the trim arrives to be installed.

FIGURE 1



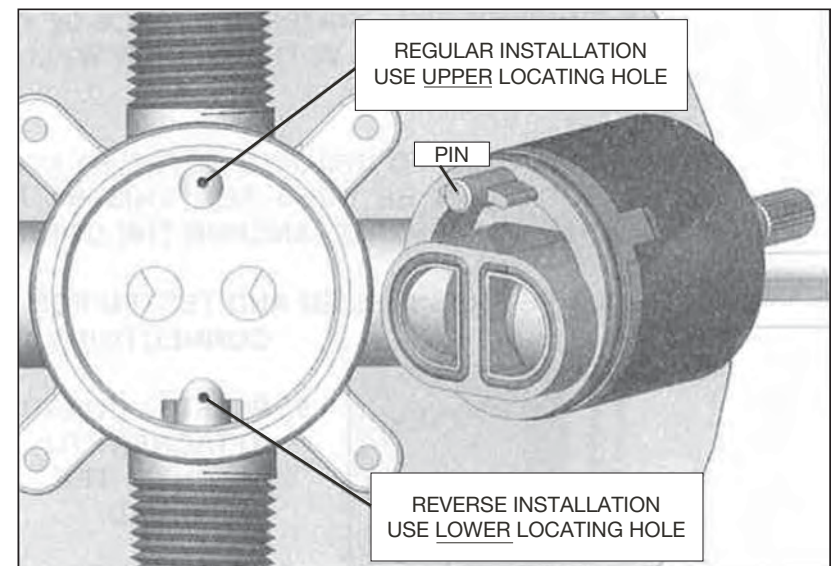
# Pressure Balanced Shower Valve

## 2. Reversing the Cartridge

When a valve is installed with reversed supply connections, the cartridge can be reversed to allow normal operation (see Figure 2).

1. Remove the trim sleeve to expose top of valve.
2. Loosen and remove hex nut above cartridge.
3. Remove cartridge from valve cavity.
4. Look into cavity to see upper and lower locating holes for cartridge pin on the floor of the cavity.
5. Re-insert cartridge, aligning the pin with lower locating hole (partially cut away by discharge opening).
6. Press cartridge in firmly to assure that pin has been properly inserted.
7. Secure cartridge by tightly reassembling the hex nut.
8. Reassemble trim.

FIGURE 2



# Pressure Balanced Shower Valve



## 2. Setting Hot Limit: IMPORTANT!!

**THE REMOVAL OF THE WARNING LABEL BARRIER ON THE FACE OF THIS MIXING VALVE CONSTITUTES THE TRANSFER OF LIABILITY FROM THE MANUFACTURER TO THE INSTALLER UNDER THE LAWS OF THE UNITED STATES. IT IS THE INSTALLERS RESPONSIBILITY TO SET THE MAXIMUM OUTPUT TEMPERATURE OF THE VALVE TO NO MORE THAN 120F, IN ACCORDANCE WITH ASSE/ANSI STANDARD 1016-1996 DEALING WITH INDIVIDUAL THERMOSTATIC, PRESSURE BALANCING AND COMBINATION PRESSURE BALANCING AND THERMOSTATIC CONTROL VALVES FOR INDIVIDUAL FIXTURES SECTION 4.2.2., TEMPERATURE LIMIT SETTING.**

TO PROPERLY SET THE LIMIT RING, YOU MUST USE A THERMOMETER OR CALIBRATED SENSING DEVICE TO ACCURATELY MEASURE THE OUTLET WATER TEMPERATURE. THE ADJUSTMENT RING IS POSITIONED AS FOLLOWS:

1. Expose the top of the cartridge by removing the trim sleeve from the valve body. Do **not** remove the hex nut holding it in place.
2. Remove the grey adjustment ring by placing the blade of a knife into the groove and prying it off (see **Figure 3**).
3. Note the stop on the bottom of the ring (see **Figure 4**). The further it is re-oriented in a counter-clockwise direction, the shorter the travel allowed (and thus, the lower the temperature output possible).

**IMPORTANT: BEFORE RE-ORIENTING THE RING, BE SURE THE STEM IS IN THE FULL OFF POSITION.**

FIGURE 3

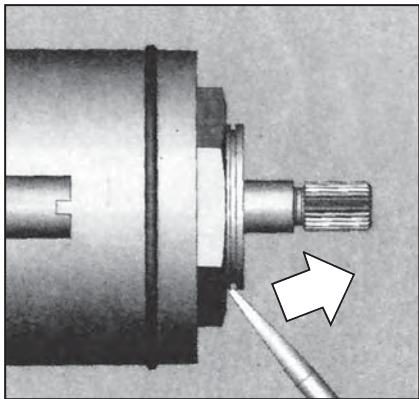
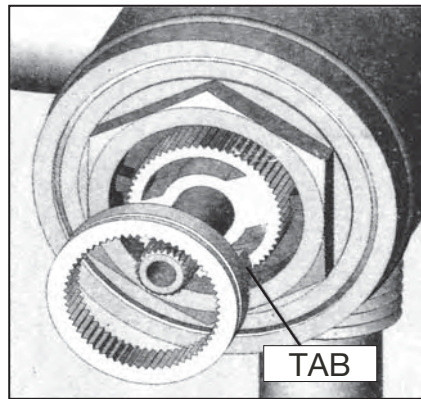


FIGURE 4



## SANTEC LIFETIME LIMITED WARRANTY

1. Finishes: Santec Polished Chrome, Polished Nickel and Satin Nickel finishes carry a Lifetime Limited warranty against manufacturing defects and tarnish to the original purchaser with the exclusion of kitchen drain assemblies which, due to the nature of their use, are not warranted. Santec recommended custom finishes carry a ten (10) years limited warranty against manufacturing defects and tarnish to the original purchaser with the exclusion of kitchen and pop-up drain assemblies which, due to the nature of their use, are not warranted. Kitchen products carry a three (3) year limited warranty.
2. Cartridges: Santec Cartridges carry a lifetime limited warranty against manufacturing defects for the life of the product to the original purchaser.
3. Parts: Santec parts carry a ten (10) year limited warranty against manufacturing defects, to the original purchaser. Kitchen products carry a five (5) year limited warranty.
4. Warranty exclusions and limitations: This warranty does not cover: damage due to negligence, accident, abuse, improper installation, or improper maintenance such as, but not limited to: heat from soldering during installation, the use of plumbers putty, damage from tools used during installation, the use or exposure to chemicals or cleaning products either abrasive or non abrasive or the use of any cleaning tool or product other than a soft, clean cloth. Pop-up assemblies are not covered under warranty. This warranty does not cover: changes in the finish or in the product due to normal wear or aging and does not cover any products or parts which have been altered or used in a manner not typical for the product. This warranty does not cover and Santec will not be held liable for damage to products caused by the freight carrier and a claim should be made immediately to the freight carrier should this occur. This warranty does not cover any cost involved in the installation, repair, or replacement of any Santec product or part. This warranty does not cover and Santec will not be held liable for any loss, damages, or expenses, incidental or consequential whatsoever, originating from the purchase, installation, use, repair, failure, or replacement of any Santec product or part, as allowed by law. The product or components of the covered product will either be repaired, refinished or replaced, at the sole discretion of Santec. Santec reserves the right to examine any product claimed defective prior to any warranty claim being accepted or processed, at its sole discretion. This warranty gives you specific legal rights and you may have other rights which may vary from state to state.

Effective 01/01/09 - Replaces and supersedes any previously issued warranty

### FINISH CARE INFORMATION

For clear coated or enamel color finishes:

For non-clear coated and specialty finishes:

We recommend that all faucets, drains, etc be gently wiped dry with a soft cloth after use to avoid water spotting and water deposit buildup. A mild liquid hand soap, such as Ivory may be used occasionally if desired. Use of non-abrasive carnauba wax will add protection to the finish and should be used if the faucets will not be dried after use.

We recommend that all faucets, drains, etc be gently wiped dry with a soft cloth after use to avoid water spotting and water deposit buildup. Use of a non-abrasive carnauba wax is required occasionally.

PLEASE REGISTER YOUR PRODUCT ONLINE FOR WARRANTY SERVICES  
[www.santecfaucet.com/registration](http://www.santecfaucet.com/registration)