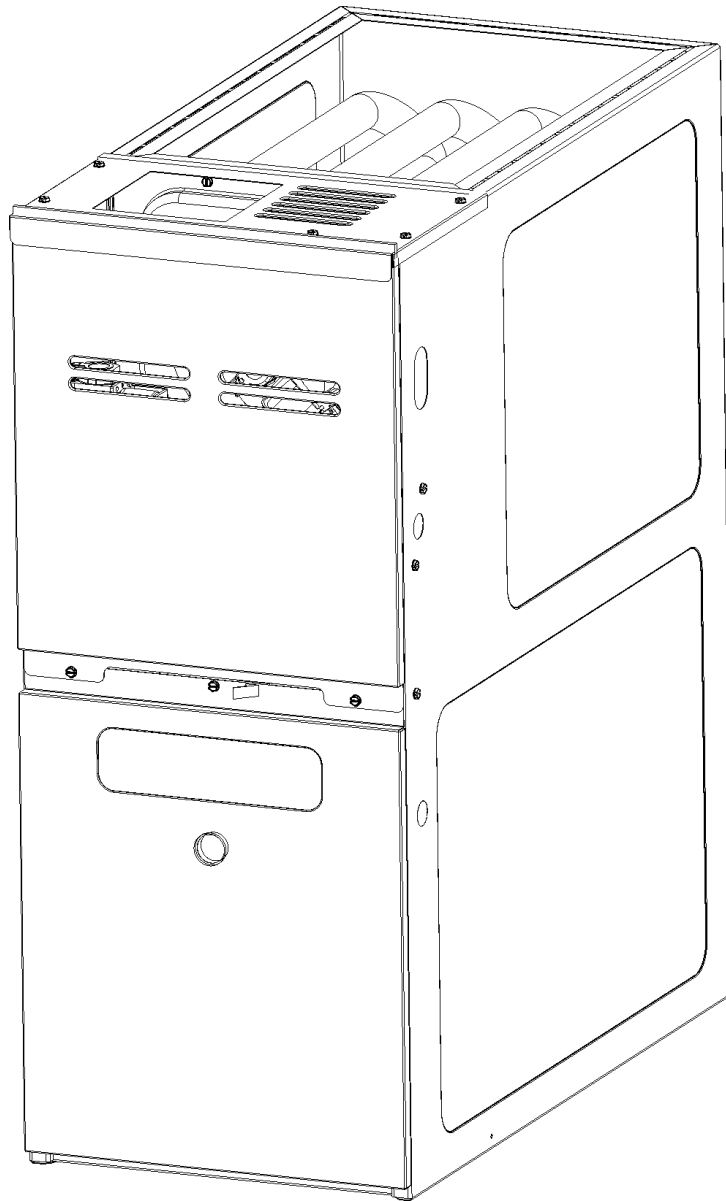


GMH8 80% Upflow Hybrid Furnace

GMH80403ANBB
GMH80403AXBB
GMH80603ANBB
GMH80603AXBB
GMH80604BNBB
GMH80604BXBB
GMH80803BNBB
GMH80803BXBB
GMH80804BNBB
GMH80804BXBB
GMH80805CNBB
GMH80805CXBB
GMH81005CNBB
GMH81005CXBB



This manual is to be used by qualified technicians only.

This manual replaces RP-856.

© 2013 Goodman Manufacturing Company, L.P. ♦ 5151 San Felipe St., Suite 500 ♦ Houston, TX 77056

Important Information

Index

Functional Parts List	3
Illustration and Parts	4 - 9

Views shown are for parts illustrations only, not servicing procedures

Rev A: added vent motor capacitor service part

Text Codes:

AR - As Required

NA - Not Available

NS - Not Shown

00000000 - See Note

QTY - Quantity Example (QTY 3) (If Quantity not shown, Quantity = 1)

M - Model Example (M1) (If M Code not shown, then part is used on all Models)

Expanded Model Nomenclature:

Example M1 - Model#1 M2 - Model#2 M3 - Model#3

Goodman Manufacturing Company, L.P. is not responsible for personal injury or property damage resulting from improper service. Review all service information before beginning repairs.

Warranty service must be performed by an authorized technician, using authorized factory parts. If service is required after the warranty expires, Goodman Manufacturing Company, L.P. also recommends contacting an authorized technician and using authorized factory parts.

Goodman Manufacturing Company, L.P. reserves the right to discontinue, or change at any time, specifications or designs without notice or without incurring obligations.

For assistance within the U.S.A. contact:
Consumer Affairs Department
Goodman Manufacturing Company, L.P.
7401 Security Way
Houston, Texas 77040
877-254-4729-Telephone
713-863-2382-Facsimile

For assistance outside the U.S.A. contact:
International Division
Goodman Manufacturing Company, L.P.
7401 Security Way
Houston, Texas 77040
713-861-2500-Telephone
713-863-2382-Facsimile

Functional Parts

Part

No: **Description:**

0131F00022	BLOWER MOTOR 1/2 HP, 4 SP, 6 PL (M5, M6, M9, M10, M11, M12, M13, M14)
0131F00020	BLOWER MOTOR 1/3 HP, 4 SP, 6 PL (M7, M8)
0131F00027	BLOWER MOTOR, 1/3HP, 4SP, 6PL (M1, M2)
0131F00021	BLOWER MOTOR, 1/3HP, 4SP, 6PL (M3, M4)
CAP125000370RPP	CAP, 12.5 MFD/370V/ RD (M1, M2, M3, M4, M7, M8)
CAP200000370CP	CAP, 20 MFD/370V/ RD (M5, M6, M9, M10, M11, M12, M13, M14)
0130F00010	FLAME SENSOR
0130F00008	IGNITOR-SINI 17 SEC
B1370818	INTERLOCK SWITCH
20162901	LIMIT (M1, M2)
10123529	MANUAL RESET LIMIT (QTY 2)
PCBBF132	PCB 2STAGE HYBRID FURNACE CNTL
B1370179	PRESSURE SWITCH (M3, M4, M5, M6, M11, M12)
B1370158	PRESSURE SWITCH -0.70" WC (M1, M2, M7, M8, M9, M10, M13, M14)
20162903	PRIMARY LIMIT - BLUE (M11, M12)
0130F00038	PRIMARY LIMIT - LT BLUE 120°
20162904	PRIMARY LIMIT-TEMPERATURE CONTROL (M3, M4, M5, M6, M7, M8, M9, M10, M13, M14)
0130M00140	TRANSFORMER,(120V TO 24V,40VA,
0151M00028	VALVE,GAS(HW)VR92
0131M00002	VENT MOTOR
DY6.186.070	VENT MOTOR CAPACITOR

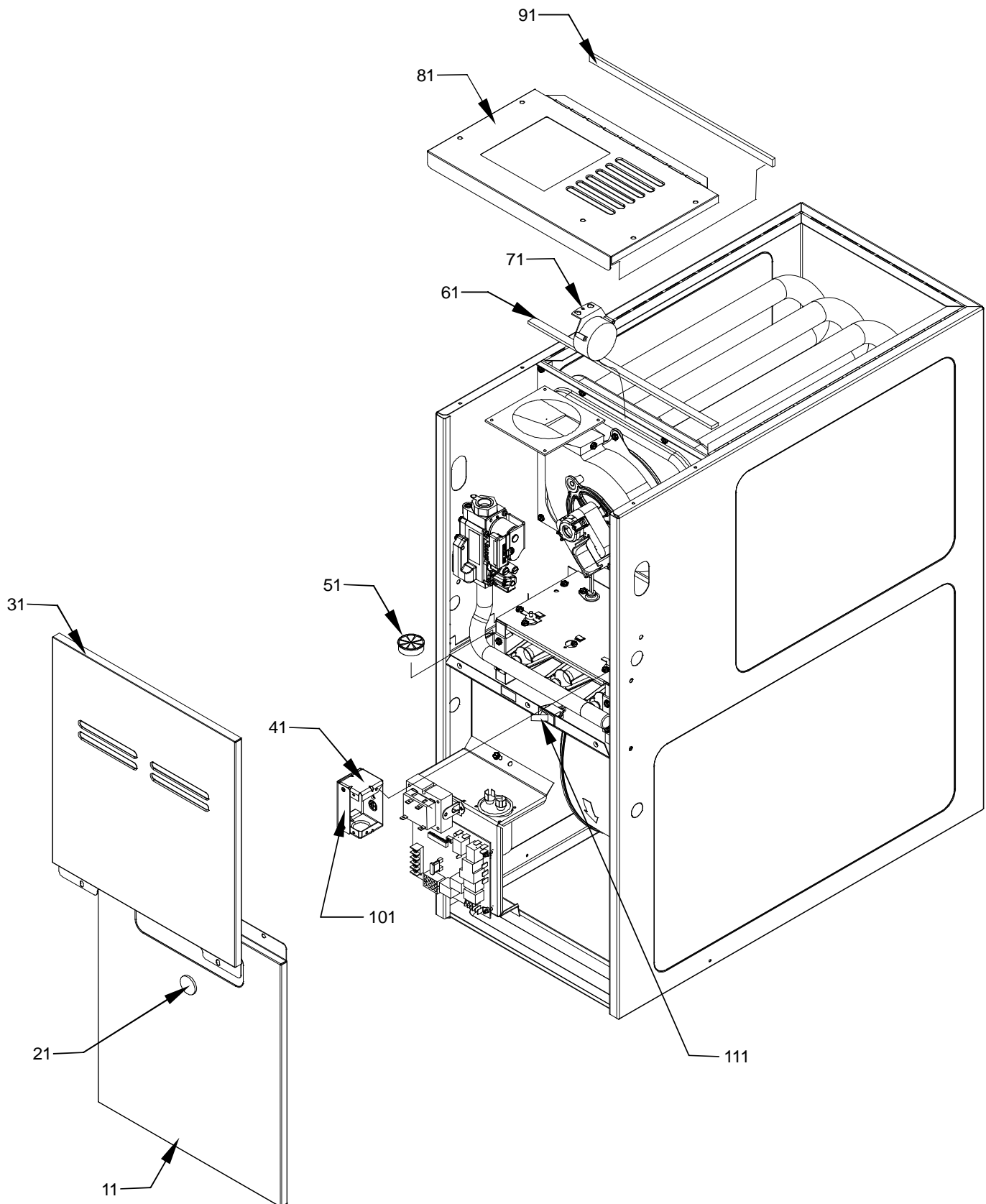
SPECIAL PARTS

0161F00007 GOODMAN NAMEPLATE

Expanded Model Nomenclature

M1 - GMH80403ANBB
M2 - GMH80403AXBB
M3 - GMH80603ANBB
M4 - GMH80603AXBB
M5 - GMH80604BNBB
M6 - GMH80604BXBB
M7 - GMH80803BNBB
M8 - GMH80803BXBB
M9 - GMH80804BNBB
M10 - GMH80804BXBB
M11 - GMH80805CNBB
M12 - GMH80805CXBB
M13 - GMH81005CNBB
M14 - GMH81005CXBB

Cabinet



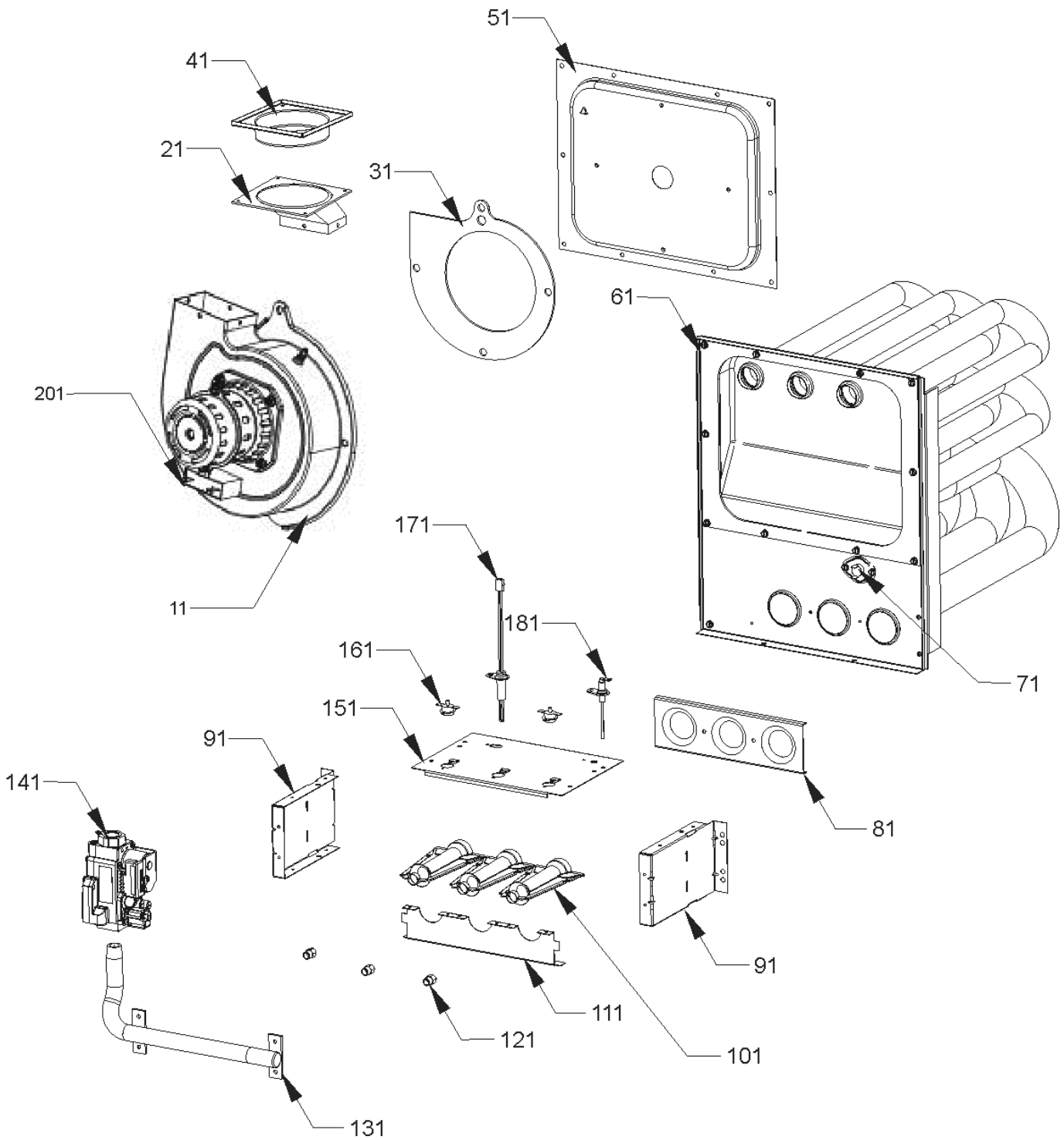
Cabinet

Ref. Part No:	No:	Description:	Ref. Part No:	No:	Description:
<i>Image 1:</i>					
11	0121F00122DG	BLOWER ACCESS DOOR 14" (M1, M2, M3, M4)			
11	0121F00123DG	BLOWER ACCESS DOOR 17.5" (M5, M6, M7, M8, M9, M10)			
11	0121F00124DG	BLOWER ACCESS DOOR 21" (M11, M12, M13, M14)			
21	B1392139	VIEW PORT BUSHING-BLOWER DOOR			
31	0121F00118DG	CONTROL ACCESS DOOR 14" (M1, M2, M3, M4)			
31	0121F00119DG	CONTROL ACCESS DOOR 17.5" (M5, M6, M7, M8, M9, M10)			
31	0121F00120DG	CONTROL ACCESS DOOR 21" (M11, M12, M13, M14)			
41	4014502	J-BOX			
51	B1392147	UNIVERSAL BUSHING WITH SLICE			
61	B13926111	SEAL STRIP, 1/8 X 1/2 X 14 (M1, M2, M3, M4)			
61	B13926112	SEAL STRIP, 1/8 X 1/2 X 17.5 (M5, M6, M7, M8, M9, M10)			
61	B13926113	SEAL STRIP, 1/8 X 1/2 X 21 (M11, M12, M13, M14)			
71	B1370179	PRESSURE SWITCH (M3, M4, M5, M6, M11, M12)			
71	B1370158	PRESSURE SWITCH -0.70" WC (M1, M2, M7, M8, M9, M10, M13, M14)			
81	0121F00141DG	TOP 14" (M1, M2, M3, M4)			
81	0121F00142DG	TOP 17.5" (M5, M6, M7, M8, M9, M10)			
81	0121F00143DG	TOP 21" (M11, M12, M13, M14)			
111	B1370818	INTERLOCK SWITCH			
NS	0161F00007	GOODMAN NAMEPLATE			
NS	0270K00015	SOLID BOTTOM 14" CASE (M1, M2, M3, M4)			
NS	0270K00016	SOLID BOTTOM 17.5" CASE (M5, M6, M7, M8, M9, M10)			
NS	1819002	SOLID BOTTOM 21" CASE (M11, M12, M13, M14)			

Expanded Model Nomenclature

M1 - GMH80403ANBB
M2 - GMH80403AXBB
M3 - GMH80603ANBB
M4 - GMH80603AXBB
M5 - GMH80604BNBB
M6 - GMH80604BXBB
M7 - GMH80803BNBB
M8 - GMH80803BXBB
M9 - GMH80804BNBB
M10 - GMH80804BXBB
M11 - GMH80805CNBB
M12 - GMH80805CXBB
M13 - GMH81005CNBB
M14 - GMH81005CXBB

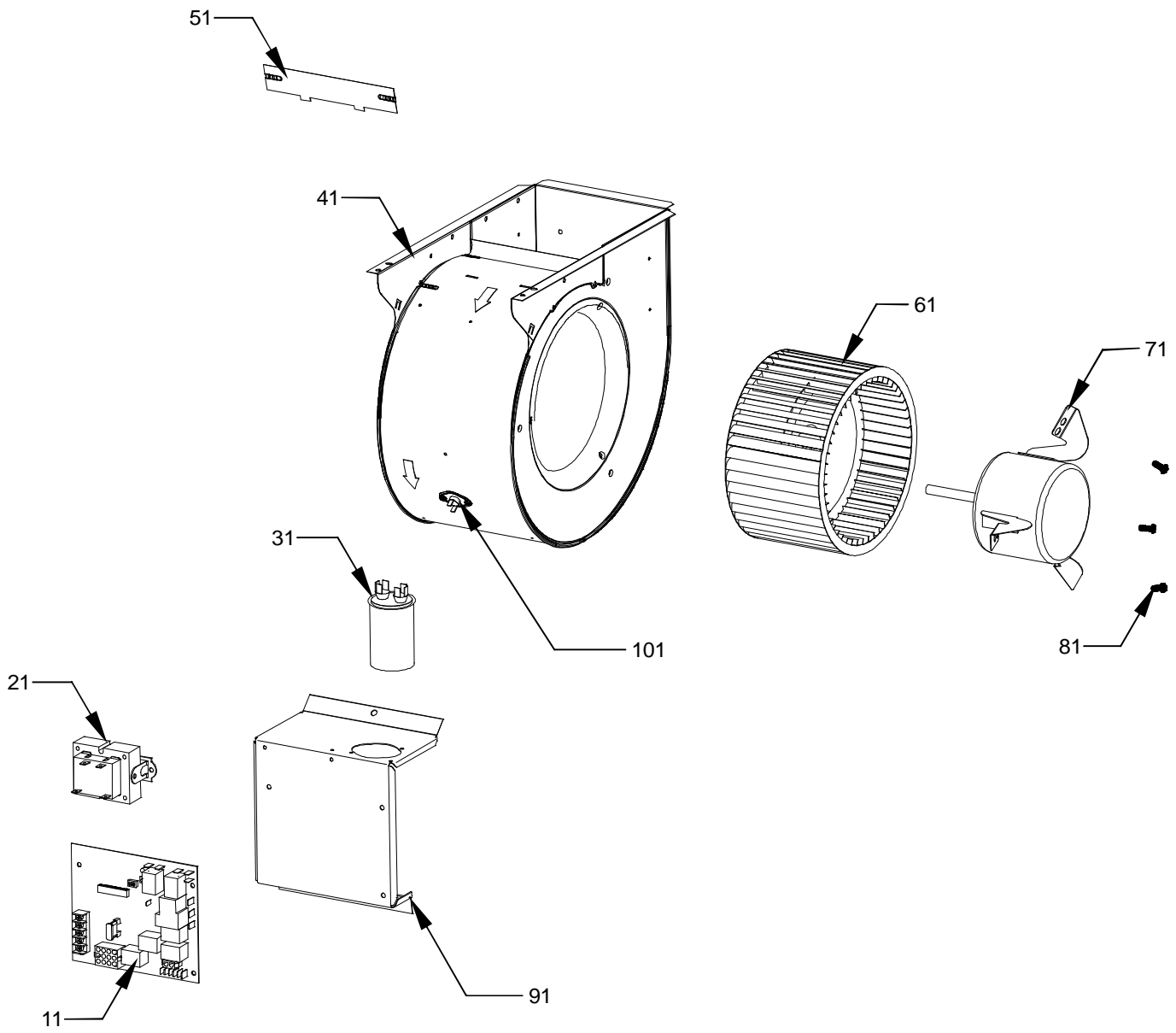
Collector Box/Heat Exchanger Assembly



Collector Box/Heat Exchanger Assembly

Ref. Part No:	No:	Description:	Ref. Part No:	No:	Description:														
<i>Image 1:</i>			<i>Image 1:</i>																
11	0131M00002	VENT MOTOR	171	0130F00008	IGNITOR-SINI 17 SEC														
21	0128F00006	CHIMNEY TRANSITION BOTTOM	181	0130F00010	FLAME SENSOR														
31	0154F00003	VENT MOTOR GASKET 14" (M1, M2, M3, M4)	201	DY6.186.070	VENT MOTOR CAPACITOR														
31	0154F00004	VENT MOTOR GASKET 17.5" (M5, M6, M7, M8, M9, M10)	Expanded Model Nomenclature																
31	0154F00005	VENT MOTOR GASKET 21" (M11, M12, M13, M14)	<table border="1"> <tr><td>M1 - GMH80403ANBB</td></tr> <tr><td>M2 - GMH80403AXB</td></tr> <tr><td>M3 - GMH80603ANBB</td></tr> <tr><td>M4 - GMH80603AXB</td></tr> <tr><td>M5 - GMH80604BNBB</td></tr> <tr><td>M6 - GMH80604BXBB</td></tr> <tr><td>M7 - GMH80803BNBB</td></tr> <tr><td>M8 - GMH80803BXBB</td></tr> <tr><td>M9 - GMH80804BNBB</td></tr> <tr><td>M10 - GMH80804BXBB</td></tr> <tr><td>M11 - GMH80805CNBB</td></tr> <tr><td>M12 - GMH80805CXBB</td></tr> <tr><td>M13 - GMH81005CNBB</td></tr> <tr><td>M14 - GMH81005CXBB</td></tr> </table>			M1 - GMH80403ANBB	M2 - GMH80403AXB	M3 - GMH80603ANBB	M4 - GMH80603AXB	M5 - GMH80604BNBB	M6 - GMH80604BXBB	M7 - GMH80803BNBB	M8 - GMH80803BXBB	M9 - GMH80804BNBB	M10 - GMH80804BXBB	M11 - GMH80805CNBB	M12 - GMH80805CXBB	M13 - GMH81005CNBB	M14 - GMH81005CXBB
M1 - GMH80403ANBB																			
M2 - GMH80403AXB																			
M3 - GMH80603ANBB																			
M4 - GMH80603AXB																			
M5 - GMH80604BNBB																			
M6 - GMH80604BXBB																			
M7 - GMH80803BNBB																			
M8 - GMH80803BXBB																			
M9 - GMH80804BNBB																			
M10 - GMH80804BXBB																			
M11 - GMH80805CNBB																			
M12 - GMH80805CXBB																			
M13 - GMH81005CNBB																			
M14 - GMH81005CXBB																			
41	4023500	CHIMNEY TRANSITION TOP																	
51	0121F00333	21" COLLECTOR BOX 1.75" DIA (M11, M12, M13, M14)																	
51	0121F00126	FLUE COLLECTOR BOX KIT 14" 1.25 DIA (M1, M2)																	
51	0121F00198	FLUE COLLECTOR BOX KIT 14" 1.75 DIA (M3, M4)																	
51	0121F00128	FLUE COLLECTOR BOX KIT 17.5" 1.75 DIA (M5, M6, M7, M8, M9, M10)																	
61	0270F00900	HEAT EXCHANGER ASSY (M1, M2)																	
61	0270F00901	HEAT EXCHANGER ASSY (M3, M4)																	
61	0270F00902	HEAT EXCHANGER ASSY (M7, M8, M9, M10)																	
61	0270F00903	HEAT EXCHANGER ASSY (M13, M14)																	
61	0270F00929	HEAT EXCHANGER ASSY (M5, M6)																	
61	0270F00930	HEAT EXCHANGER ASSY (M11, M12)																	
71	20162901	LIMIT (M1, M2)																	
71	20162903	PRIMARY LIMIT - BLUE (M11, M12)																	
71	20162904	PRIMARY LIMIT-TEMPERATURE CONTROL (M3, M4, M5, M6, M7, M8, M9, M10, M13, M14)																	
81	4028000	ORIFICE SHIELD 2 CELL (M1, M2)																	
81	4028001	ORIFICE SHIELD 3 CELL (M3, M4, M5, M6)																	
81	4028002	ORIFICE SHIELD 4 CELL (M7, M8, M9, M10, M11, M12)																	
81	4028003	ORIFICE SHIELD 5 CELL (M13, M14)																	
91	0121F00146	BURNER BOX SIDE (QTY 2)																	
101	B4022700	INSHOT BURNER ASSY 3" (QTY A/R)																	
111	0121F00167	BURNER BRACKET 2B (M1, M2)																	
111	0121F00168	BURNER BRACKET 3B (M3, M4, M5, M6)																	
111	0121F00169	BURNER BRACKET 4B (M7, M8, M9, M10, M11, M12)																	
111	0121F00170	BURNER BRACKET 5B (M13, M14)																	
121	B4089345	ORIFICE (QTY A/R)																	
131	0120F00006	MANIFOLD (M1, M2)																	
131	0120F00007	MANIFOLD (M3, M4, M5, M6)																	
131	0120F00008	MANIFOLD (M7, M8, M9, M10, M11, M12)																	
131	0120F00009	MANIFOLD (M13, M14)																	
141	0151M00028	VALVE,GAS(HW)VR92																	
151	0121F00162	BURNER BOX TOP 2 CELL (M1, M2)																	
151	0121F00163	BURNER BOX TOP 3 CELL (M3, M4, M5, M6)																	
151	0121F00164	BURNER BOX TOP 4 CELL (M7, M8, M9, M10, M11, M12)																	
151	0121F00165	BURNER BOX TOP 5 CELL (M13, M14)																	
161	10123529	MANUAL RESET LIMIT (QTY 2)																	

Blower and Control Panel



Blower and Control Panel

Ref. Part

No: No:

Description:

Ref. Part

No: No:

Description:

Image 1:

11	PCBBF132	PCB 2STAGE HYBRID FURNACE CNTL
21	0130M00140	TRANSFORMER,(120V TO 24V,40VA,
31	CAP125000370RPP	CAP, 12.5 MFD/370V/ RD (M1, M2, M3, M4, M7, M8)
31	CAP200000370CP	CAP, 20 MFD/370V/ RD (M5, M6, M9, M10, M11, M12, M13, M14)
41	2539307	BLOWER HOUSING 10 X 10 (M11, M12, M13, M14)
41	2539305	BLOWER HOUSING 10 X 6 (M1, M2, M3, M4)
41	2539306	BLOWER HOUSING 10 X 8 (M5, M6, M7, M8, M9, M10)
51	764741F	BLOWER BLOCK-OFF 10 X 10 (M11, M12, M13, M14)
51	764740	BLOWER BLOCK-OFF 10 X 8 (M5, M6, M7, M8, M9, M10)
51	764739	BLOWER CUT-OFF 10 X 6 (M1, M2, M3, M4)
61	0150M00035	BLOWER WHEEL 10 X 10 (M11, M12, M13, M14)
61	B1368034	BLOWER WHEEL 10 X 6 (M1, M2, M3, M4)
61	B1368016	BLOWER WHEEL 10 X 8 (M5, M6, M9, M10)
61	B1368058	BLOWER WHEEL 10 X 8 (M7, M8)
71	0131F00022	BLOWER MOTOR 1/2 HP, 4 SP, 6 PL (M5, M6, M9, M10, M11, M12, M13, M14)
71	0131F00020	BLOWER MOTOR 1/3 HP, 4 SP, 6 PL (M7, M8)
71	0131F00021	BLOWER MOTOR, 1/3HP, 4SP, 6PL (M3, M4)
71	0131F00027	BLOWER MOTOR, 1/3HP, 4SP, 6PL (M1, M2)
81	M0250558	TC SCREW (QTY 3)
91	1815817	CONTROL MOUNT PANEL
101	0130F00038	PRIMARY LIMIT - LT BLUE 120°
NS	0259F00020	HARNESS, WIRE IGNITOR HYBRID
NS	0259F00050	KIT, WIRE HYBRID FURN
NS	B1393802	SUPPORT, 2-WING BOARD, .187 MT (QTY 4)
NS	B1393803	SUPPORT, SINGLE-WING BOARD (.1
NS	0259F00073	WIRE HARNESS ASSY (M11, M12, M13, M14)
NS	0259F00085	WIRE HARNESS ASSY (M1, M2, M3, M4, M5, M6, M7, M8, M9, M10)

Expanded Model Nomenclature

M1 - GMH80403ANBB
M2 - GMH80403AXBB
M3 - GMH80603ANBB
M4 - GMH80603AXBB
M5 - GMH80604BNBB
M6 - GMH80604BXBB
M7 - GMH80803BNBB
M8 - GMH80803BXBB
M9 - GMH80804BNBB
M10 - GMH80804BXBB
M11 - GMH80805CNBB
M12 - GMH80805CXBB
M13 - GMH81005CNBB
M14 - GMH81005CXBB