



ADA
COMPLIANT*



Florestone Model 40-40H Barrier-Free Shower

42" x 37³/₄" x 78"

Weight: 205 lbs.

Architect's Specifications

Furnish and install one-piece gel-coated fiberglass shower stall Model 40-40H designed for barrier-free use as manufactured by Florestone Products Company. Unit to have a flame spread of 25 and a smoke density rating of 400 or less in accordance with ASTM-E84 test method. Basic shower will conform to ANSI-Z-124.2. Unit to include stainless steel curtain rod; Symmons® pressure balance mixing valve with concealed check stops; Moen® hand-held shower head with hose and chrome-plated slide bar; stainless steel corner grab bar; stainless steel recessed soap dish; white naugahyde folding wheelchair transfer seat (*specify right or left hand*).

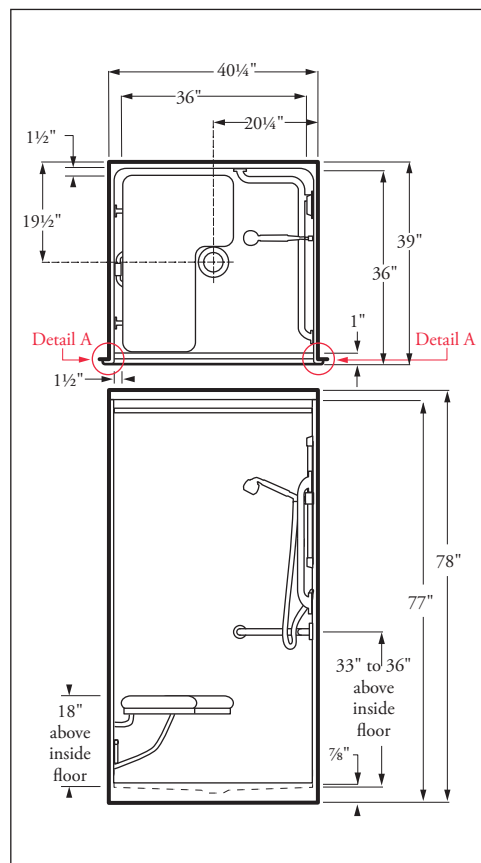
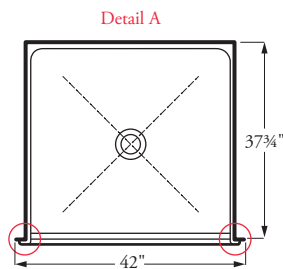
Supplied with 2" brass drain.

Shower curtain optional.

Curtain Size: 45" x 72".

Standard Color: White.

Special order colors available.



Specify Right or Left Hand Seat

**Dimensions may vary \pm 1/4" inch.
Please check unit before installation.**

For barrier-free installation, contractor shall provide 1/2" minimum recess for curb in sub floor.

ADA compliance when accessories installed by manufacturer.
Note: Exterior floor drain for water run-off recommended.
Symmons® is a Registered Trade Mark of Symmons Industries, Inc.
Moen® is a Registered Trade Mark of Moen Corporation.

Dimensions subject to
change without notice.

Contact Florestone
Products to verify
product specifications.

Standards:

I.A.P.M.O. File No. 0687

ANSI-Z-124.2

ASTM-E84



 **FLORESTONE**
A Spec Above.™

FLORESTONE PRODUCTS CO., INC.

2851 Falcon Drive • Madera, CA 93637

T. 559.661.4171 • T. 800.446.8827

F. 559.661.2070 • florestone.com