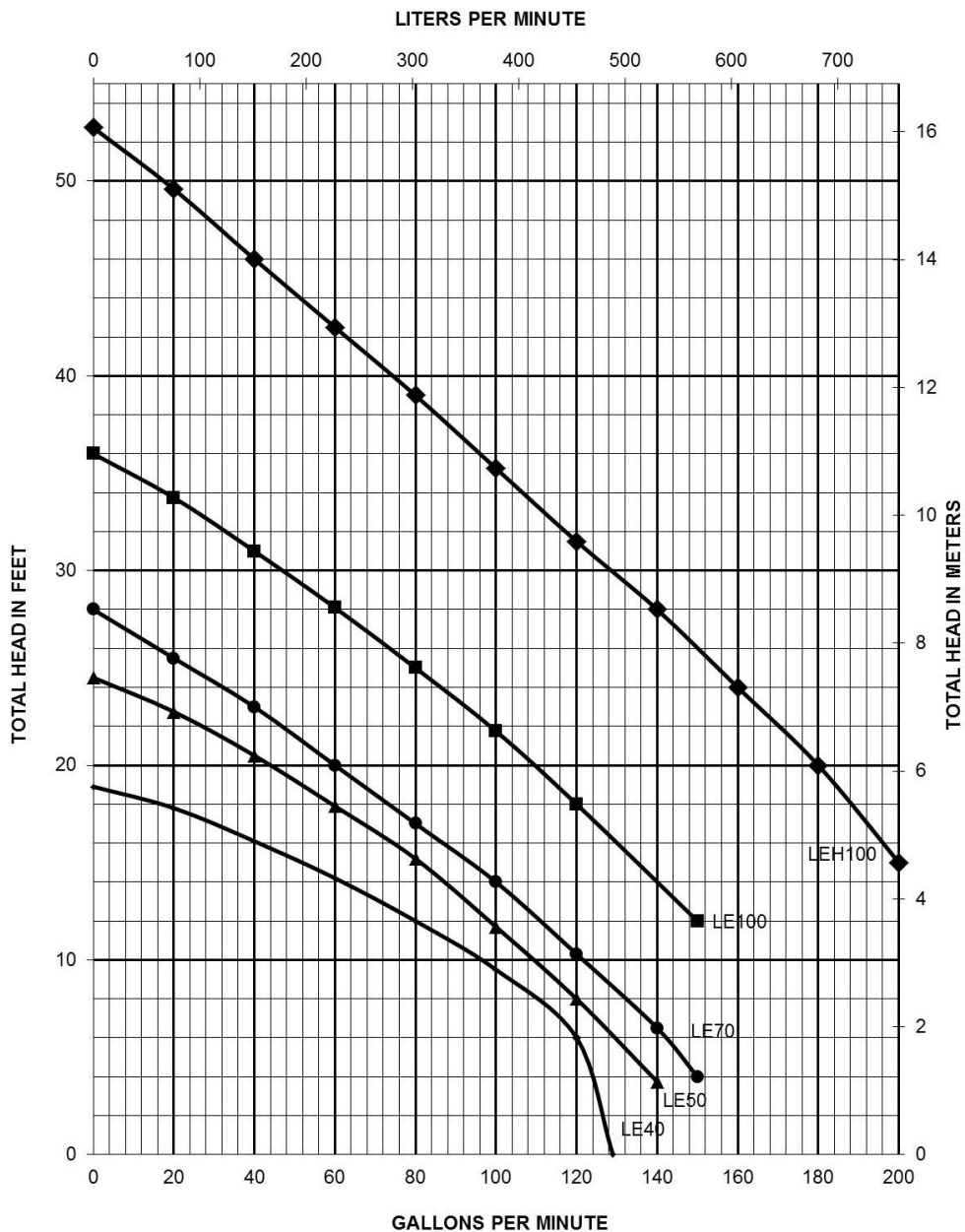
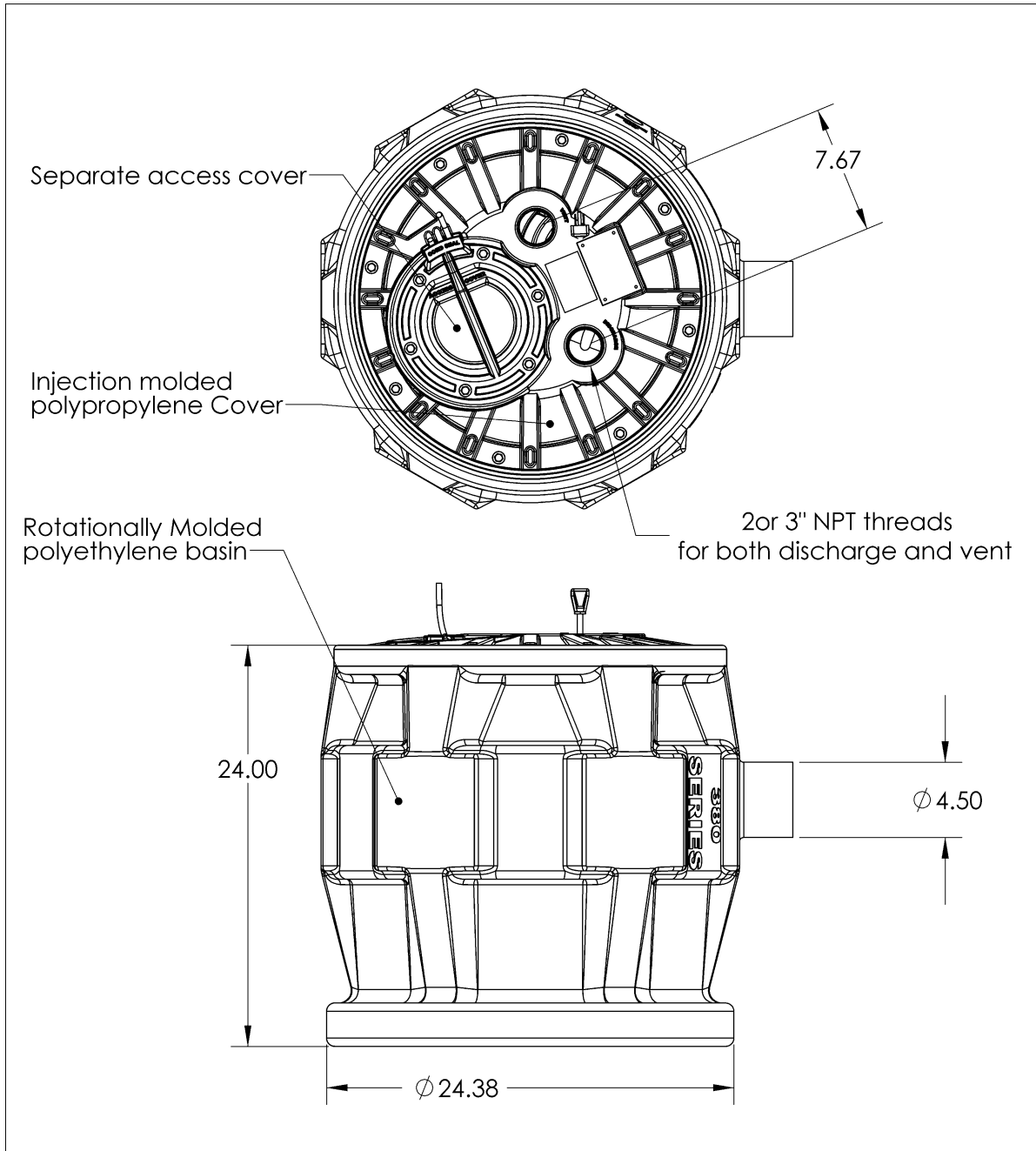


Product Specifications

P380-Series Submersible Sewage Simplex Package



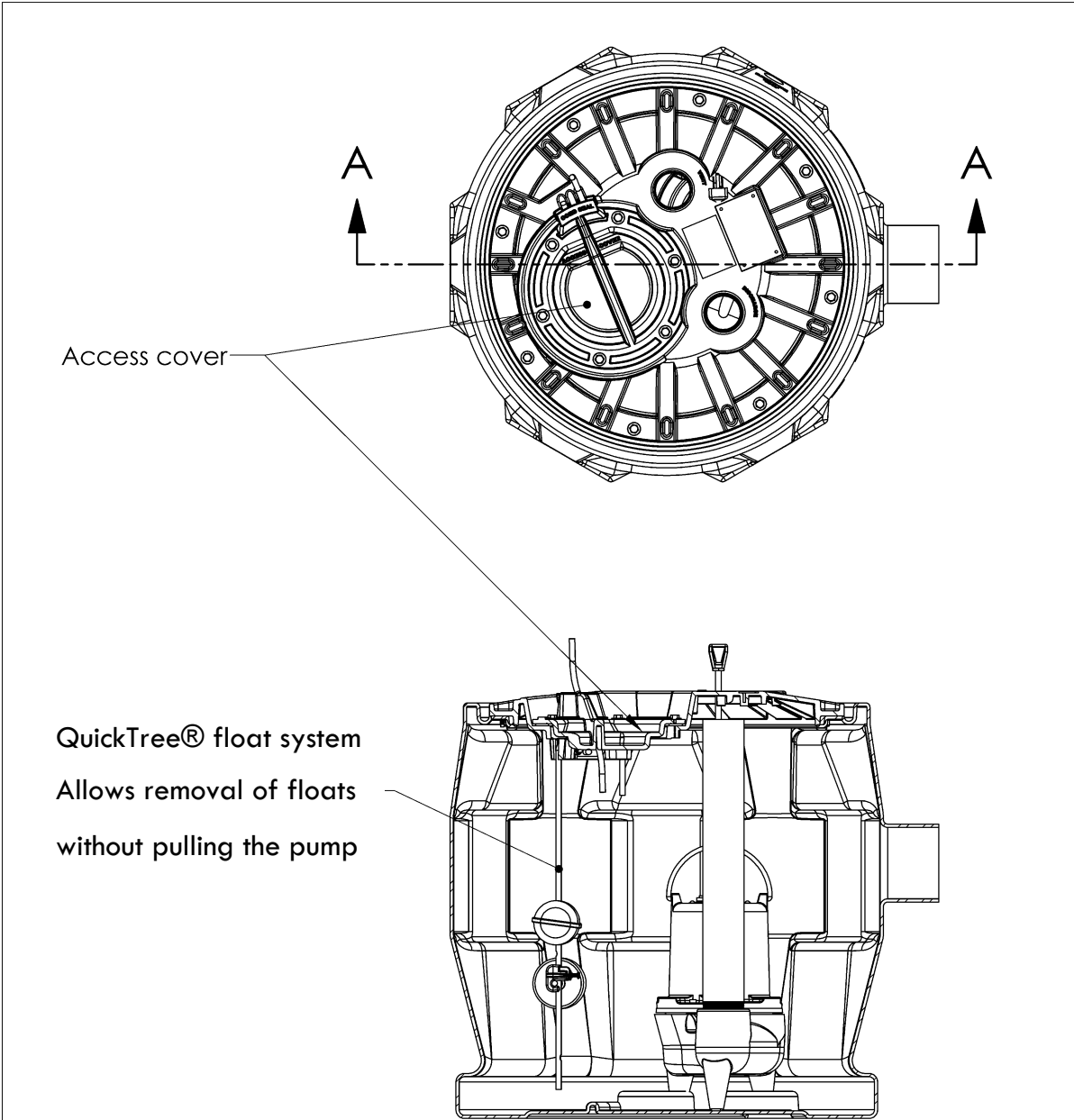
P380-Series Dimensional Data



PROPRIETARY AND CONFIDENTIAL
 THE INFORMATION CONTAINED IN THIS DRAWING IS THE SOLE PROPERTY OF LIBERTY PUMPS. ANY REPRODUCTION IN PART OR AS A WHOLE WITHOUT THE WRITTEN PERMISSION OF LIBERTY PUMPS IS PROHIBITED.

| | | | | | |
|-------------|--|----------------------|------------|-------------------------|--|
| APPLICATION | | DO NOT SCALE DRAWING | | P380 SERIES DIMENSIONAL | |
| DWG. NO. | | SIZE A | DATE: | REV. A | |
| SCALE:1:4 | | WEIGHT: | LBS | SHEET 1 OF 1 | |





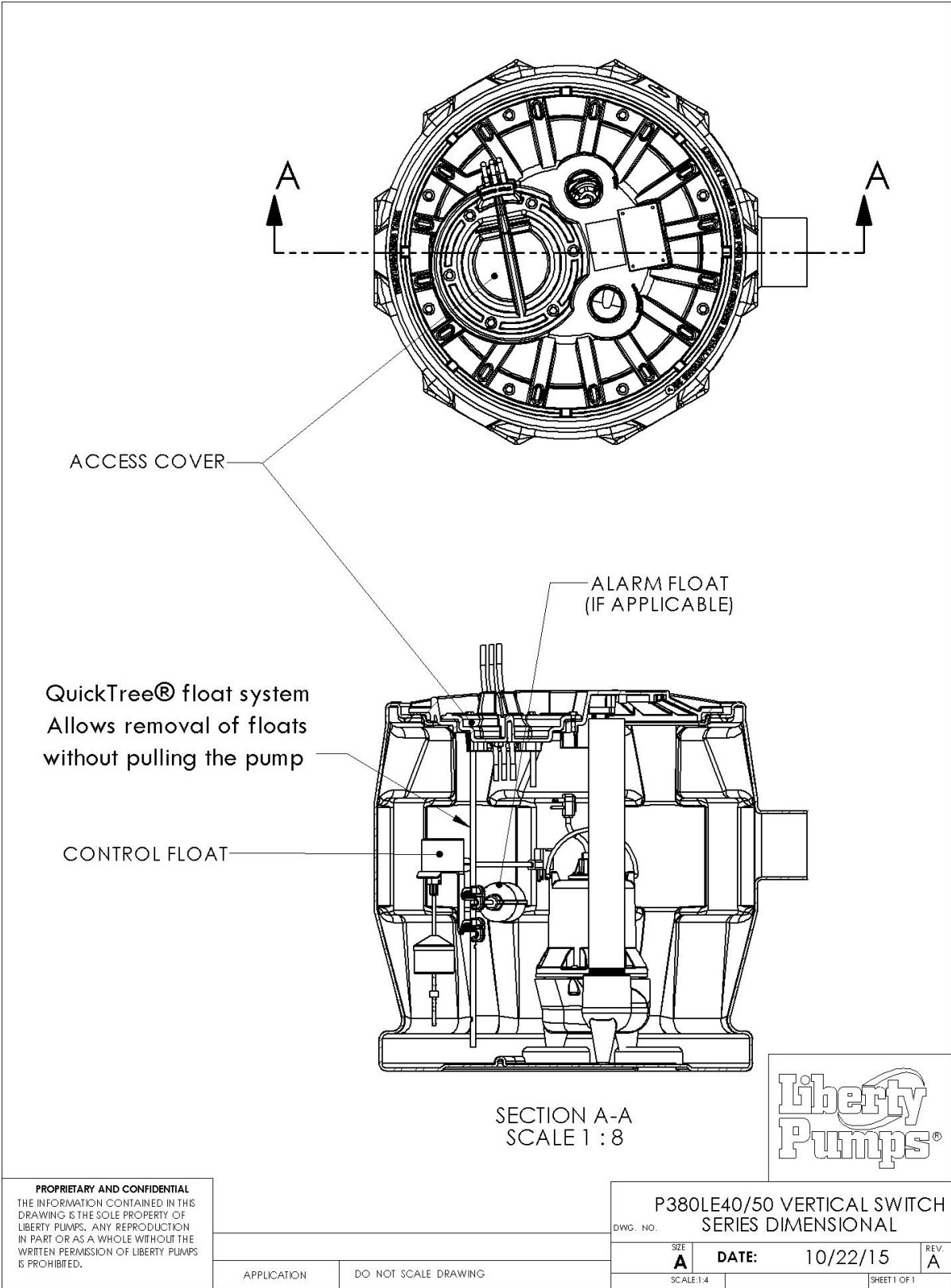
SECTION A-A



PROPRIETARY AND CONFIDENTIAL
 THE INFORMATION CONTAINED IN THIS DRAWING IS THE SOLE PROPERTY OF LIBERTY PUMPS. ANY REPRODUCTION IN PART OR AS A WHOLE WITHOUT THE WRITTEN PERMISSION OF LIBERTY PUMPS IS PROHIBITED.

| | | | | | | | |
|-------------|--|----------------------|--|-----------|-------------------------|-----|--------------|
| APPLICATION | | DO NOT SCALE DRAWING | | DWG. NO. | P380 SERIES DIMENSIONAL | | REV. |
| | | | | SIZE | DATE: | | A |
| | | | | SCALE:1:4 | WEIGHT: | LBS | SHEET 1 OF 1 |





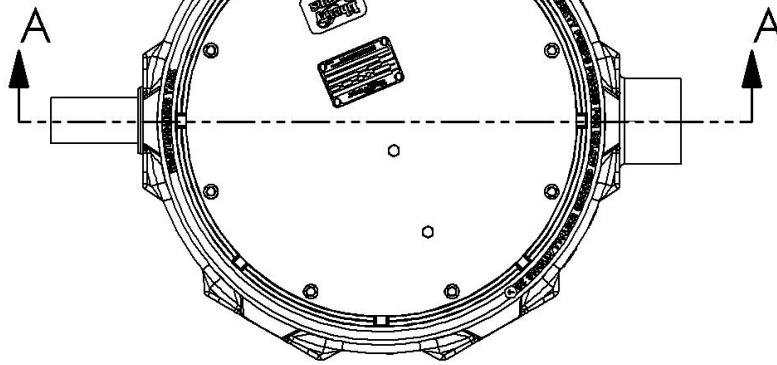
PROPRIETARY AND CONFIDENTIAL
 THE INFORMATION CONTAINED IN THIS DRAWING IS THE SOLE PROPERTY OF LIBERTY PUMPS. ANY REPRODUCTION IN PART OR AS A WHOLE WITHOUT THE WRITTEN PERMISSION OF LIBERTY PUMPS IS PROHIBITED.

| | |
|-------------|----------------------|
| APPLICATION | DO NOT SCALE DRAWING |
|-------------|----------------------|

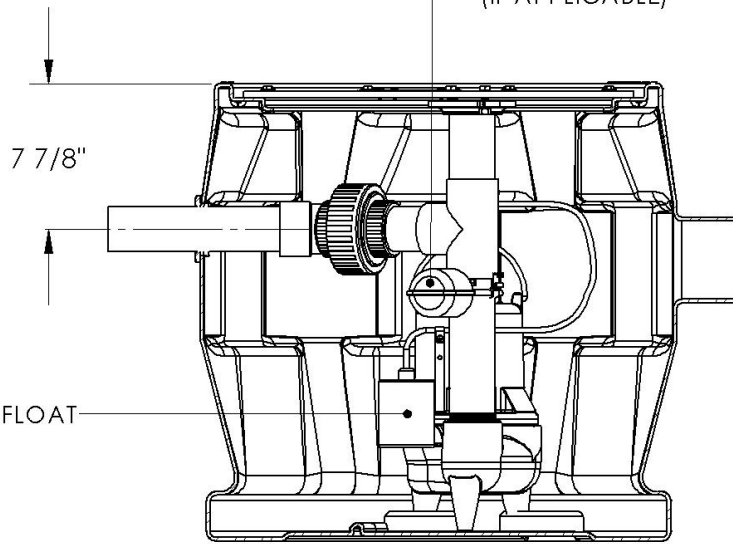
| | | | |
|---|----------------|------------------|--------------|
| P380LE40/50 VERTICAL SWITCH SERIES DIMENSIONAL DWG. NO. | | | |
| SIZE A | DATE: 10/22/15 | REV. A | |
| SCALE 1:4 | | | SHEET 1 OF 1 |



BLANK
POLYETHYLENE
COVER



ALARM FLOAT
MOUNTED TO
DISCHARGE PIPE
(IF APPLICABLE)



CONTROL FLOAT

7 7/8"

SECTION A-A
SCALE 1 : 8



PROPRIETARY AND CONFIDENTIAL
THE INFORMATION CONTAINED IN THIS
DRAWING IS THE SOLE PROPERTY OF
LIBERTY PUMPS. ANY REPRODUCTION
IN PART OR AS A WHOLE WITHOUT THE
WRITTEN PERMISSION OF LIBERTY PUMPS
IS PROHIBITED.

APPLICATION

DO NOT SCALE DRAWING

P380LE40/50 SIDE DISCHARGE
SERIES DIMENSIONAL

DWG. NO.

SIZE

A

DATE:

10/22/15

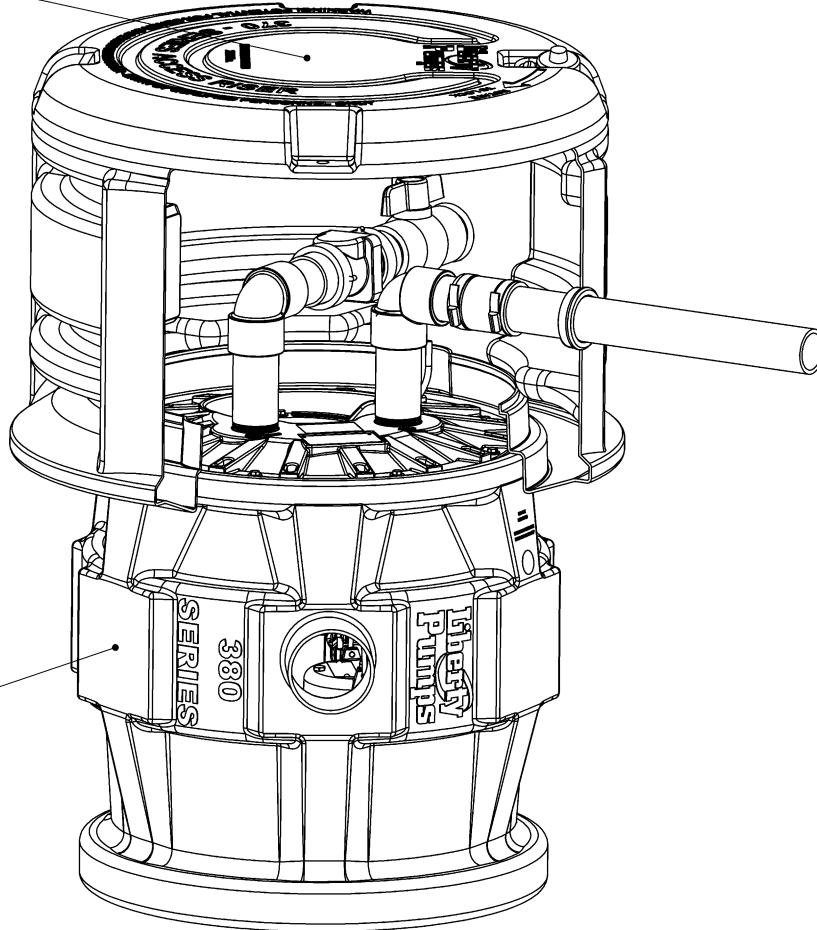
REV.

A

SCALE:1:4

SHEET 1 OF 1

OPTIONAL
ARC18 RISER



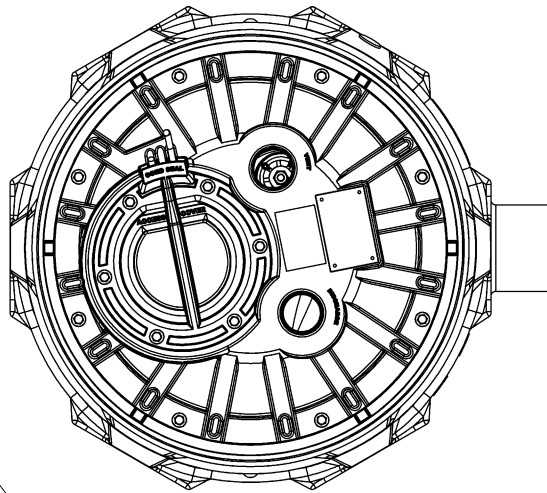
P380 SYSTEM



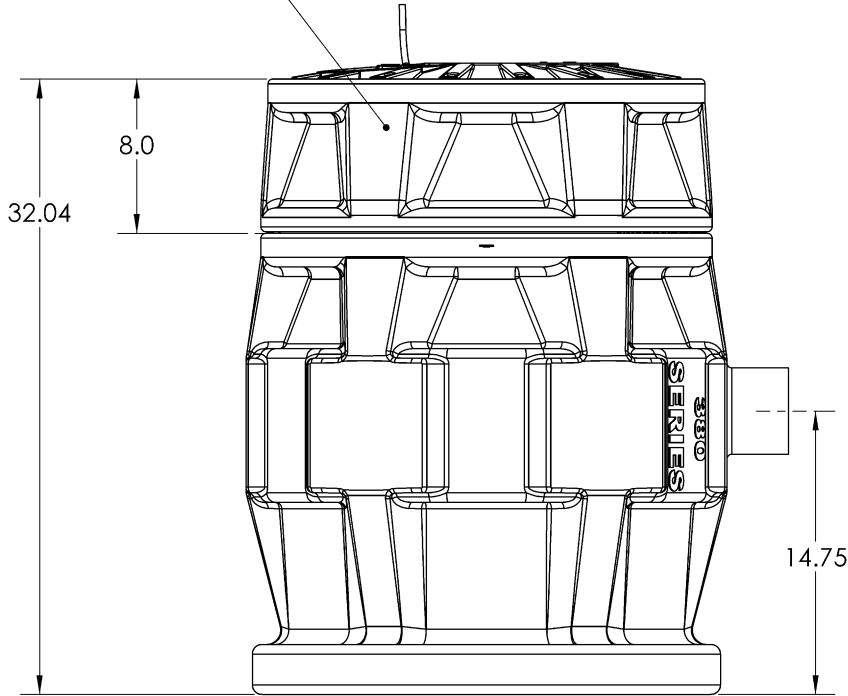
PROPRIETARY AND CONFIDENTIAL
THE INFORMATION CONTAINED IN THIS DRAWING IS THE SOLE PROPERTY OF LIBERTY PUMPS. ANY REPRODUCTION IN PART OR AS A WHOLE WITHOUT THE WRITTEN PERMISSION OF LIBERTY PUMPS IS PROHIBITED.

| | | | | | | | |
|-------------|--|----------------------|--|-----------|----------------------|-----|--------------|
| APPLICATION | | DO NOT SCALE DRAWING | | DWG. NO. | P380 SERIES W/ RISER | | REV. |
| | | | | SIZE | DATE: | A | |
| | | | | SCALE:1:4 | WEIGHT: | LBS | SHEET 1 OF 1 |





OPTIONAL
8" BASIN EXTENSION



PROPRIETARY AND CONFIDENTIAL
THE INFORMATION CONTAINED IN THIS DRAWING IS THE SOLE PROPERTY OF LIBERTY PUMPS. ANY REPRODUCTION IN PART OR AS A WHOLE WITHOUT THE WRITTEN PERMISSION OF LIBERTY PUMPS IS PROHIBITED.

| | | | | | | | |
|-------------|--|----------------------|--|-----------|--------------------------|-----|--------------|
| APPLICATION | | DO NOT SCALE DRAWING | | DWG. NO. | P380 SERIES W/ EXTENSION | | REV. |
| | | | | SIZE | DATE: | A | |
| | | | | SCALE:1:4 | WEIGHT: | LBS | SHEET 1 OF 1 |



P380-Series Electrical Data

| MODEL | HP | VOLTAGE | PHASE | SF | FULL LOAD AMPS | LOCKED ROTOR AMPS | THERMAL OVERLOAD TEMP | STATOR WINDING CLASS | DISCHARGE | AUTOMATIC SYSTEM |
|--------------|------|---------|-------|------|----------------|-------------------|-----------------------|----------------------|-----------|------------------|
| P382LE41 | 4/10 | 115 | 1 | 1.00 | 12 | 22.5 | 105°C 221°F | B | 2" | YES |
| P382LE41SD-2 | 4/10 | 115 | 1 | 1.00 | 12 | 22.5 | 105°C 221°F | B | 2" (SIDE) | YES |
| P382LE41V | 4/10 | 115 | 1 | 1.00 | 12 | 22.5 | 105°C 221°F | B | 2" | YES (VERTICAL) |
| P382LE51 | 1/2 | 115 | 1 | 1.00 | 12 | 22.5 | 105°C 221°F | B | 2" | YES |
| P382LE51SD-2 | 1/2 | 115 | 1 | 1.00 | 12 | 22.5 | 105°C 221°F | B | 2" (SIDE) | YES |
| P382LE51V | 1/2 | 115 | 1 | 1.00 | 12 | 22.5 | 105°C 221°F | B | 2" | YES (VERTICAL) |
| P382LE52 | 1/2 | 208-230 | 1 | 1.00 | 6.8 | 12 | 105°C 221°F | B | 2" | YES |
| P382LE71 | 3/4 | 115 | 1 | 1.00 | 12 | 28 | 105°C 221°F | B | 2" | YES |
| P382LE72 | 3/4 | 208-230 | 1 | 1.00 | 6 | 13 | 105°C 221°F | B | 2" | YES |
| P382LE102 | 1 | 208-230 | 1 | 1.00 | 8 | 21 | 105°C 221°F | B | 2" | YES |
| P382LEH102 | 1 | 230 | 1 | 1.00 | 12 | 28.6 | 120°C 248°F | B | 2" | YES |
| P383LE41 | 4/10 | 115 | 1 | 1.00 | 12 | 22.5 | 105°C 221°F | B | 3" | YES |
| P383LE51 | 1/2 | 115 | 1 | 1.00 | 12 | 22.5 | 105°C 221°F | B | 3" | YES |
| P383LE52 | 1/2 | 208-230 | 1 | 1.00 | 6.8 | 12 | 105°C 221°F | B | 3" | YES |
| P383LE71 | 3/4 | 115 | 1 | 1.00 | 12 | 28 | 105°C 221°F | B | 3" | YES |
| P383LE72 | 3/4 | 208-230 | 1 | 1.00 | 6 | 13 | 105°C 221°F | B | 3" | YES |
| P383LE102 | 1 | 208-230 | 1 | 1.00 | 8 | 21 | 105°C 221°F | B | 3" | YES |
| P383LEH102 | 1 | 230 | 1 | 1.00 | 12 | 28.6 | 120°C 248°F | B | 3" | YES |

P380-Series Technical Data

| | |
|----------------------|--|
| TANK | POLYETHYLENE * |
| COVER | POLYPROPYLENE (HDPE ON SIDE DISCHARGE MODELS) |
| GUIDE RAIL | NONE – PUMPS PULL OUT WITH COVER |
| INLET HUB | INCORPORATED INTO TANK |
| DISCHARGE PIPE | SCHEDULE 80 PVC |
| CONTROLS | PIGGY BACK FLOATS |
| IMPELLER | SEE INDIVIDUAL PUMP MODELS SPEC SHEET |
| SOLIDS HANDLING SIZE | SEE INDIVIDUAL PUMP MODELS SPEC SHEET |
| PAINT | SEE INDIVIDUAL PUMP MODELS SPEC SHEET |
| MAX LIQUID TEMP | SEE INDIVIDUAL PUMP MODELS SPEC SHEET |
| MAX STATOR TEMP | SEE INDIVIDUAL PUMP MODELS SPEC SHEET |
| THERMAL OVERLOAD | SEE INDIVIDUAL PUMP MODELS SPEC SHEET |
| POWER CORD TYPE | SEE INDIVIDUAL PUMP MODELS SPEC SHEET |
| MOTOR HOUSING | SEE INDIVIDUAL PUMP MODELS SPEC SHEET |
| VOLUTE | SEE INDIVIDUAL PUMP MODELS SPEC SHEET |
| SHAFT | SEE INDIVIDUAL PUMP MODELS SPEC SHEET |
| HARDWARE | SEE INDIVIDUAL PUMP MODELS SPEC SHEET |
| ORINGS | SEE INDIVIDUAL PUMP MODELS SPEC SHEET |
| MECHANICAL SEAL | SEE INDIVIDUAL PUMP MODELS SPEC SHEET |
| MIN BEARING LIFE | SEE INDIVIDUAL PUMP MODELS SPEC SHEET |

*XL MODELS UTILIZE A UPC LISTED
POLYETHYLENE BASIN WHICH
MEETS IAPMO PS52 10' STACK TEST

P380-Series Specifications

See individual pump specification for more details on the pumps.

WARRANTY

Standard limited warranty shall be 3 years.