



Bradford™ Polished Weld Fittings

A Complete Weld Connection

Product Specifications



← Weld end



← Weld end

Size range:

- ½" - 12" OD tube

Materials:

- G = 304 stainless steel
- R = 316L stainless steel
- other alloys are available

Finish:

- 3A sanitary finish ID and OD

F
Polished
Fittings

Available At:



Bay Port Valve & Fitting, Inc.

P.O. Box 315 Phone: (863) 425-0023
 2295 S.R. 37 South (800) 369-0194
 Mulberry, FL. 33860 Fax: (863) 425-5091

www.bayportvalve.com

Index

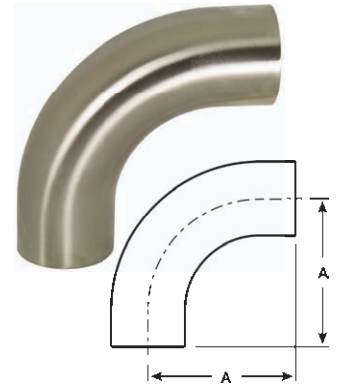
| | | | |
|--------------------|-------|---------------------|-------|
| Elbows | 65-67 | Adapters | 70 |
| Sweep Elbows | 67 | Reducers | 70-71 |
| Tees | 68-69 | Miscellaneous | 72-73 |

Weld Elbows

Polished 90° Weld Elbows with Tangents - B2S

- #3, #5 and electropolish finishes are available

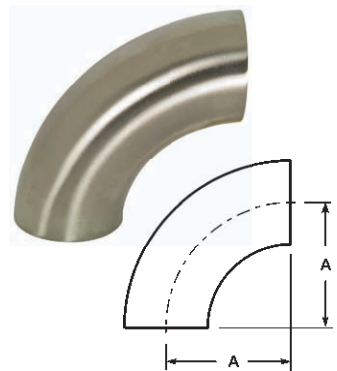
| Tube OD | A | Nominal Wall | 304 Stainless Steel Part Number | 316L Stainless Steel Part Number |
|---------|-------|--------------|---------------------------------|----------------------------------|
| ½" | 3.000 | .065 | --- | B2S-R50P |
| ¾" | 3.000 | .065 | --- | B2S-R75P |
| 1" | 2.062 | .065 | B2S-G100P | B2S-R100P |
| 1½" | 2.937 | .065 | B2S-G150P | B2S-R150P |
| 2" | 4.062 | .065 | B2S-G200P | B2S-R200P |
| 2½" | 5.187 | .065 | B2S-G250P | B2S-R250P |
| 3" | 6.312 | .065 | B2S-G300P | B2S-R300P |
| 4" | 8.312 | .083 | B2S-G400P | B2S-R400P |



Polished 90° Weld Elbows - B2WCL

- #3, #5 and electropolish finishes are available

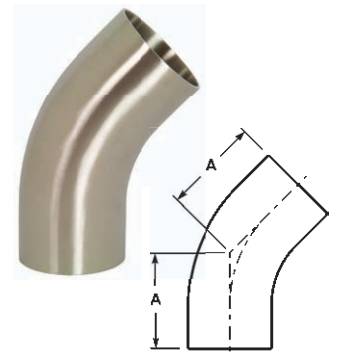
| Tube OD | A | Nominal Wall | 304 Stainless Steel Part Number | 316L Stainless Steel Part Number |
|---------|--------|--------------|---------------------------------|----------------------------------|
| ½" | 1.125 | .065 | --- | B2WCL-R50P |
| ¾" | 1.125 | .065 | --- | B2WCL-R75P |
| 1" | 1.500 | .065 | B2WCL-G100P | B2WCL-R100P |
| 1½" | 2.250 | .065 | B2WCL-G150P | B2WCL-R150P |
| 2" | 3.000 | .065 | B2WCL-G200P | B2WCL-R200P |
| 2½" | 3.750 | .065 | B2WCL-G250P | B2WCL-R250P |
| 3" | 4.500 | .065 | B2WCL-G300P | B2WCL-R300P |
| 4" | 6.000 | .083 | B2WCL-G400P | B2WCL-R400P |
| 6" | 9.000 | .109 | B2WCL-G600P | B2WCL-R600P |
| 8" | 12.000 | .120 | B2WCL-G800P | B2WCL-R800P |
| 10" | 15.000 | .109 | B2WCL-G1000P | B2WCL-R1000P |



Polished 45° Weld Elbows with Tangents - B2KS

- #3, #5 and electropolish finishes are available

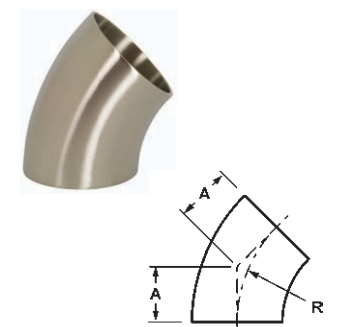
| Tube OD | A | Nominal Wall | 304 Stainless Steel Part Number | 316L Stainless Steel Part Number |
|---------|-------|--------------|---------------------------------|----------------------------------|
| ½" | 2.250 | .065 | --- | B2KS-R50P |
| ¾" | 2.250 | .065 | --- | B2KS-R75P |
| 1" | 1.188 | .065 | B2KS-G100P | B2KS-R100P |
| 1½" | 1.625 | .065 | B2KS-G150P | B2KS-R150P |
| 2" | 2.312 | .065 | B2KS-G200P | B2KS-R200P |
| 2½" | 3.000 | .065 | B2KS-G250P | B2KS-R250P |
| 3" | 3.688 | .065 | B2KS-G300P | B2KS-R300P |
| 4" | 4.812 | .083 | B2KS-G400P | B2KS-R400P |



Polished 45° Weld Elbows - B2WK

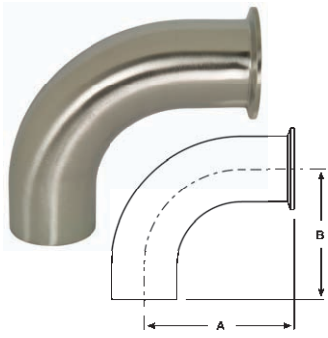
- #3, #5 and electropolish finishes are available

| Tube OD | A | R | Nominal Wall | 304 Stainless Steel Part Number | 316L Stainless Steel Part Number |
|---------|-------|--------|--------------|---------------------------------|----------------------------------|
| ½" | .466 | 1.125 | .065 | --- | B2WK-R50P |
| ¾" | .466 | 1.125 | .065 | --- | B2WK-R75P |
| 1" | .625 | 1.500 | .065 | B2WK-G100P | B2WK-R100P |
| 1½" | .937 | 2.250 | .065 | B2WK-G150P | B2WK-R150P |
| 2" | 1.250 | 3.000 | .065 | B2WK-G200P | B2WK-R200P |
| 2½" | 1.562 | 3.750 | .065 | B2WK-G250P | B2WK-R250P |
| 3" | 1.875 | 4.500 | .065 | B2WK-G300P | B2WK-R300P |
| 4" | 2.500 | 6.000 | .083 | B2WK-G400P | B2WK-R400P |
| 6" | 3.750 | 9.000 | .109 | B2WK-G600P | B2WK-R600P |
| 8" | 5.000 | 12.000 | .120 | B2WK-G800P | B2WK-R800P |
| 10" | 6.250 | 15.000 | .109 | B2WK-G1000P | B2WK-R1000P |
| 12" | 7.500 | 18.000 | .120 | B2WK-G1200P | B2WK-R1200P |



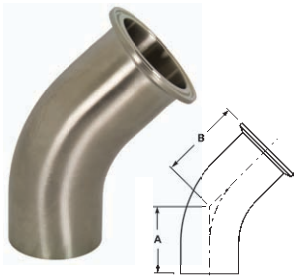
Weld Elbows

3 Polished 90° Clamp x Weld Elbows - B2CM



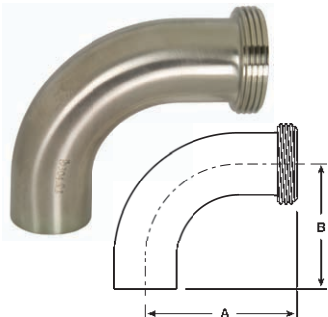
| Tube OD | A | B | Nominal Wall | 304 Stainless Steel Part Number | 316L Stainless Steel Part Number |
|---------|-------|-------|--------------|---------------------------------|----------------------------------|
| 1" | 2.562 | 2.062 | .065 | B2CM-G100 | B2CM-R100 |
| 1½" | 3.438 | 2.937 | .065 | B2CM-G150 | B2CM-R150 |
| 2" | 4.562 | 4.062 | .065 | B2CM-G200 | B2CM-R200 |
| 2½" | 5.688 | 5.187 | .065 | B2CM-G250 | B2CM-R250 |
| 3" | 6.812 | 6.312 | .065 | B2CM-G300 | B2CM-R300 |
| 4" | 8.937 | 8.312 | .083 | B2CM-G400 | B2CM-R400 |

3 Polished 45° Clamp x Weld Elbows - B2KM



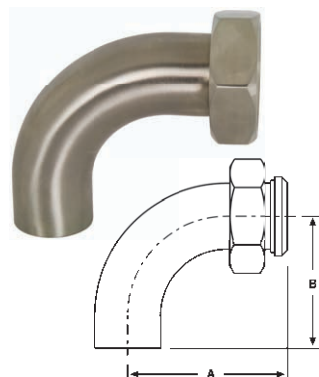
| Tube OD | A | B | Nominal Wall | 304 Stainless Steel Part Number | 316L Stainless Steel Part Number |
|---------|-------|-------|--------------|---------------------------------|----------------------------------|
| 1" | 1.188 | 1.688 | .065 | B2KM-G100 | B2KM-R100 |
| 1½" | 1.625 | 2.125 | .065 | B2KM-G150 | B2KM-R150 |
| 2" | 2.312 | 2.812 | .065 | B2KM-G200 | B2KM-R200 |
| 2½" | 3.000 | 3.500 | .065 | B2KM-G250 | B2KM-R250 |
| 3" | 3.688 | 4.188 | .065 | B2KM-G300 | B2KM-R300 |
| 4" | 4.812 | 5.437 | .083 | B2KM-G400 | B2KM-R400 |

3 Polished 90° Threaded Bevel Seat x Weld Elbows - B2T



| Tube OD | A | B | Nominal Wall | 304 Stainless Steel Part Number |
|---------|-------|-------|--------------|---------------------------------|
| 1" | 2.780 | 2.062 | .065 | B2T-G100 |
| 1½" | 3.656 | 2.937 | .065 | B2T-G150 |
| 2" | 4.812 | 4.062 | .065 | B2T-G200 |
| 2½" | 6.062 | 5.187 | .065 | B2T-G250 |
| 3" | 7.218 | 6.312 | .065 | B2T-G300 |
| 4" | 9.343 | 8.312 | .083 | B2T-G400 |

3 Polished 90° Plain Bevel Seat with Hex Nut x Weld Elbows - B2FP



- hex nut is CF8 (304) stainless steel

| Tube OD | A | B | Nominal Wall | 304 Stainless Steel Part Number |
|---------|-------|-------|--------------|---------------------------------|
| 1" | 2.780 | 2.062 | .065 | B2FP-G100 |
| 1½" | 3.656 | 2.937 | .065 | B2FP-G150 |
| 2" | 4.812 | 4.062 | .065 | B2FP-G200 |
| 2½" | 6.062 | 5.187 | .065 | B2FP-G250 |
| 3" | 7.218 | 6.312 | .065 | B2FP-G300 |
| 4" | 9.343 | 8.312 | .083 | B2FP-G400 |

Other types of weld elbows are available call Dixon Sanitary for information



B2KT



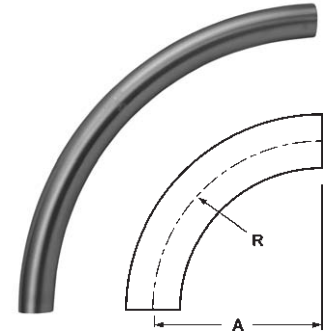
B2KP

Weld Sweep Elbows

Standard with no tangents. Call Dixon Sanitary for tangents, 45° and other radii.

12" 90° Weld Sweep Elbows - B2SXL

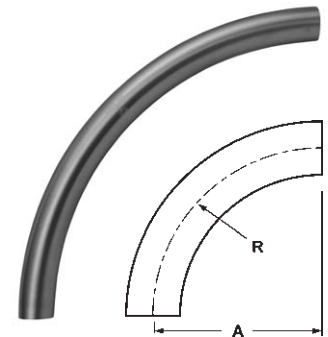
| Tube OD | A | R | 316L Stainless Steel Part Number |
|---------|-------|-------|----------------------------------|
| 1½" | 12.00 | 12.00 | B2SXL12-R150 |
| 2" | 12.00 | 12.00 | B2SXL12-R200 |
| 3" | 12.00 | 12.00 | B2SXL12-R300 |
| 4" | 12.00 | 12.00 | B2SXL12-R400 |



F
Polished Fittings

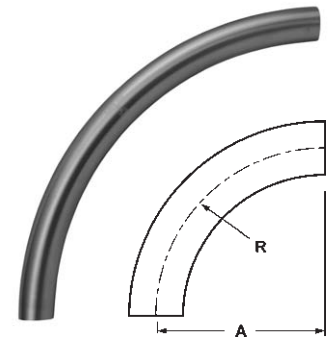
18" 90° Weld Sweep Elbows - B2SXL

| Tube OD | A | R | 316L Stainless Steel Part Number |
|---------|-------|-------|----------------------------------|
| 1½" | 18.00 | 18.00 | B2SXL18-R150 |
| 2" | 18.00 | 18.00 | B2SXL18-R200 |
| 2½" | 18.00 | 18.00 | B2SXL18-R250 |
| 3" | 18.00 | 18.00 | B2SXL18-R300 |



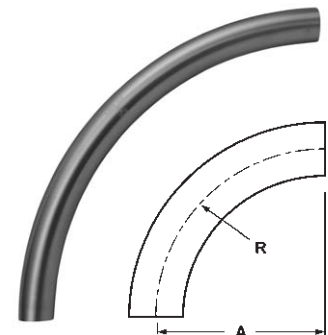
24" 90° Weld Sweep Elbows - B2SXL

| Tube OD | A | R | 316L Stainless Steel Part Number |
|---------|-------|-------|----------------------------------|
| 1½" | 24.00 | 24.00 | B2SXL24-R150 |
| 2" | 24.00 | 24.00 | B2SXL24-R200 |
| 2½" | 24.00 | 24.00 | B2SXL24-R250 |
| 3" | 24.00 | 24.00 | B2SXL24-R300 |



36" 90° Weld Sweep Elbows - B2SXL

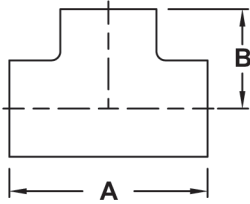
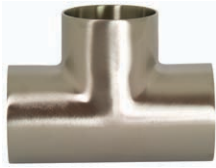
| Tube OD | A | R | 316L Stainless Steel Part Number |
|---------|-------|-------|----------------------------------|
| 3" | 36.00 | 36.00 | B2SXL36-R300 |
| 4" | 36.00 | 36.00 | B2SXL36-R400 |



Weld Tees

3. Polished Short Weld Tees - B7WWW

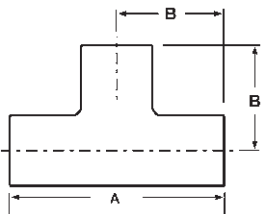
- #3, #5 and electropolish finishes are available



| Tube OD | A | B | Nominal Wall | 304 Stainless Steel Part Number | 316L Stainless Steel Part Number |
|---------|-------|-------|--------------|---------------------------------|----------------------------------|
| 1" | 2.250 | 1.125 | .065 | B7WWW-G100P | B7WWW-R100P |
| 1½" | 3.312 | 1.656 | .065 | B7WWW-G150P | B7WWW-R150P |
| 2" | 4.124 | 2.062 | .065 | B7WWW-G200P | B7WWW-R200P |
| 2½" | 4.688 | 2.344 | .065 | B7WWW-G250P | B7WWW-R250P |
| 3" | 5.188 | 2.594 | .065 | B7WWW-G300P | B7WWW-R300P |
| 4" | 6.876 | 3.438 | .083 | B7WWW-G400P | B7WWW-R400P |

3. Polished Long Weld Tees - B7W

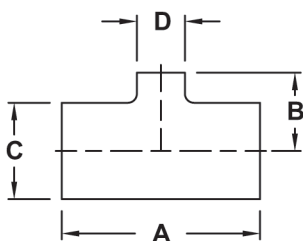
- #3, #5 and electropolish finishes are available



| Tube OD | A | B | Nominal Wall | 304 Stainless Steel Part Number | 316L Stainless Steel Part Number |
|---------|--------|-------|--------------|---------------------------------|----------------------------------|
| ½" | 3.750 | 1.875 | .065 | --- | B7W-R50P |
| ¾" | 4.000 | 2.000 | .065 | --- | B7W-R75P |
| 1" | 3.750 | 1.875 | .065 | B7W-G100P | B7W-R100P |
| 1½" | 4.500 | 2.250 | .065 | B7W-G150P | B7W-R150P |
| 2" | 6.000 | 3.000 | .065 | B7W-G200P | B7W-R200P |
| 2½" | 6.000 | 3.000 | .065 | B7W-G250P | B7W-R250P |
| 3" | 6.500 | 3.250 | .065 | B7W-G300P | B7W-R300P |
| 4" | 7.750 | 3.875 | .083 | B7W-G400P | B7W-R400P |
| 6" | 11.250 | 5.625 | .109 | B7W-G600P | B7W-R600P |
| 8" | 14.000 | 7.000 | .120 | B7W-G800P | B7W-R800P |

3. Polished Reducing Weld Tees - B7RWWW

- #3, #5 and electropolish finishes are available

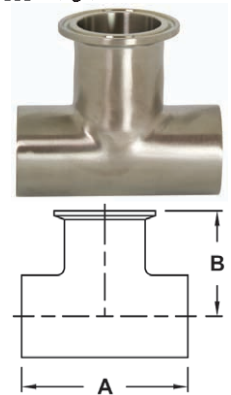


| Tube OD | A | B | C | D | Nominal Wall | 304 Stainless Steel Part Number | 316L Stainless Steel Part Number |
|-----------|--------|-------|-------|-------|--------------|---------------------------------|----------------------------------|
| ¾" x ½" | 4.000 | 2.000 | .750 | .500 | .065 | --- | B7RWWW-R7550P |
| 1" x ½" | 4.250 | 2.125 | 1.000 | .500 | .065 | --- | B7RWWW-R10050P |
| 1" x ¾" | 4.250 | 2.125 | 1.000 | .750 | .065 | --- | B7RWWW-R10075P |
| 1½" x ½" | 4.750 | 2.375 | 1.500 | .500 | .065 | --- | B7RWWW-R15050P |
| 1½" x ¾" | 4.750 | 2.375 | 1.500 | .750 | .065 | --- | B7RWWW-R15075P |
| 1½" x 1" | 3.312 | 1.375 | 1.500 | 1.000 | .065 | B7RWWW-G150100P | B7RWWW-R150100P |
| 2" x ½" | 5.750 | 2.625 | 2.000 | .500 | .065 | --- | B7RWWW-R20050P |
| 2" x ¾" | 5.750 | 2.625 | 2.000 | .750 | .065 | --- | B7RWWW-R20075P |
| 2" x 1" | 4.124 | 1.625 | 2.000 | 1.000 | .065 | B7RWWW-G200100P | B7RWWW-R200100P |
| 2" x 1½" | 4.124 | 1.906 | 2.000 | 1.500 | .065 | B7RWWW-G200150P | B7RWWW-R200150P |
| 2½" x 1½" | 4.688 | 2.156 | 2.500 | 1.500 | .065 | B7RWWW-G250150P | B7RWWW-R250150P |
| 2½" x 2" | 4.688 | 2.312 | 2.500 | 2.000 | .065 | B7RWWW-G250200P | B7RWWW-R250200P |
| 3" x 1½" | 5.188 | 2.406 | 3.000 | 1.500 | .065 | B7RWWW-G300150P | B7RWWW-R300150P |
| 3" x 2" | 5.188 | 2.562 | 3.000 | 2.000 | .065 | B7RWWW-G300200P | B7RWWW-R300200P |
| 3" x 2½" | 5.188 | 2.594 | 3.000 | 2.500 | .083 | B7RWWW-G300250P | B7RWWW-R300250P |
| 4" x 1½" | 6.876 | 2.906 | 4.000 | 1.500 | .083 | B7RWWW-G400150P | B7RWWW-R400150P |
| 4" x 2" | 6.876 | 3.062 | 4.000 | 2.000 | .083 | B7RWWW-G400200P | B7RWWW-R400200P |
| 4" x 2½" | 6.876 | 3.094 | 4.000 | 2.500 | .083 | B7RWWW-G400250P | B7RWWW-R400250P |
| 4" x 3" | 6.876 | 3.094 | 4.000 | 3.000 | .083 | B7RWWW-G400300P | B7RWWW-R400300P |
| 6" x 2" | 11.250 | 4.500 | 6.000 | 2.000 | .109 | B7RWWW-G600200P | B7RWWW-R600200P |
| 6" x 3" | 11.250 | 4.875 | 6.000 | 3.000 | .109 | B7RWWW-G600300P | B7RWWW-R600300P |
| 6" x 4" | 11.250 | 5.125 | 6.000 | 4.000 | .109 | B7RWWW-G600400P | B7RWWW-R600400P |

Weld Tees

Polished Weld Run x Clamp Branch Tees - B7WWM

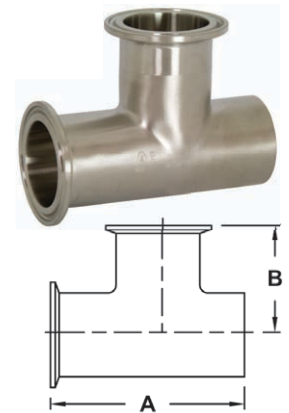
| Tube OD | A | B | Nominal Wall | 304 Stainless Steel Part Number | 316L Stainless Steel Part Number |
|---------|-------|-------|--------------|---------------------------------|----------------------------------|
| 1" | 2.250 | 1.625 | .065 | B7WWM-G100 | B7WWM-R100 |
| 1½" | 3.312 | 2.156 | .065 | B7WWM-G150 | B7WWM-R150 |
| 2" | 4.124 | 2.562 | .065 | B7WWM-G200 | B7WWM-R200 |
| 2½" | 4.688 | 2.844 | .065 | B7WWM-G250 | B7WWM-R250 |
| 3" | 5.188 | 3.094 | .065 | B7WWM-G300 | B7WWM-R300 |
| 4" | 6.876 | 4.063 | .083 | B7WWM-G400 | B7WWM-R400 |



F
Polished Fittings

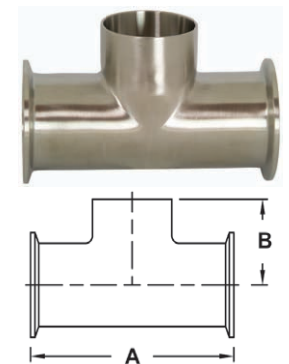
Polished Weld x Clamp Run x Clamp Branch Tees - B7WMM

| Tube OD | A | B | Nominal Wall | 304 Stainless Steel Part Number |
|---------|-------|-------|--------------|---------------------------------|
| 1" | 2.750 | 1.625 | .065 | B7WMM-G100 |
| 1½" | 3.812 | 2.156 | .065 | B7WMM-G150 |
| 2" | 4.624 | 2.562 | .065 | B7WMM-G200 |
| 2½" | 5.188 | 2.844 | .065 | B7WMM-G250 |
| 3" | 5.688 | 3.094 | .065 | B7WMM-G300 |
| 4" | 7.500 | 4.063 | .083 | B7WMM-G400 |



Polished Clamp Run x Weld Branch Tees - B7MMW

| Tube OD | A | B | Nominal Wall | 304 Stainless Steel Part Number |
|---------|-------|-------|--------------|---------------------------------|
| 1" | 3.250 | 1.125 | .065 | B7MMW-G100 |
| 1½" | 4.312 | 1.656 | .065 | B7MMW-G150 |
| 2" | 5.124 | 2.062 | .065 | B7MMW-G200 |
| 2½" | 5.688 | 2.062 | .065 | B7MMW-G250 |
| 3" | 6.188 | 2.594 | .065 | B7MMW-G300 |
| 4" | 8.124 | 3.438 | .083 | B7MMW-G400 |



Other types of weld tees are available call Dixon Sanitary for information



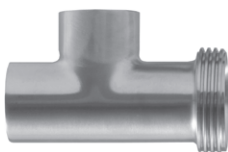
B7WWT



B7WTT



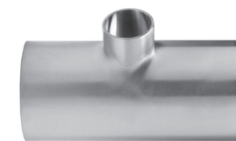
B7TTW



B7WTW



B7WMM



B7RWWWS

Weld Adapters

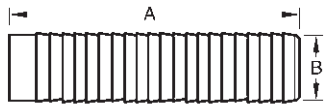
Long Weld Hose Adapters - 14WHRL

- suitable for band clamps



| Tube OD | A | B | Nominal Wall | 316L Stainless Steel Part Number |
|---------|-------|-------|--------------|----------------------------------|
| 1" | 3.000 | 1.030 | .116 | 14WHRL-R100 |
| 1½" | 4.500 | 1.530 | .116 | 14WHRL-R150 |
| 2" | 4.500 | 2.030 | .116 | 14WHRL-R200 |
| 2½" | 5.000 | 2.530 | .116 | 14WHRL-R250 |
| 3" | 5.000 | 3.030 | .116 | 14WHRL-R300 |
| 4" | 4.875 | 4.030 | .116 | 14WHRL-R400 |

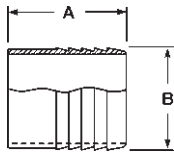
F
Polished Fittings



Weld Hose Adapters - 14WHR



| Tube OD | A | B | Nominal Wall | 316L Stainless Steel Part Number |
|---------|-------|-------|--------------|----------------------------------|
| ½" | 1.500 | .500 | .065 | 14WHR-R50 |
| ¾" | 1.500 | .750 | .065 | 14WHR-R75 |
| 1" | 1.688 | 1.000 | .065 | 14WHR-R100 |
| 1½" | 1.688 | 1.500 | .065 | 14WHR-R150 |
| 2" | 2.312 | 2.000 | .065 | 14WHR-R200 |
| 2½" | 2.000 | 2.500 | .065 | 14WHR-R250 |
| 3" | 3.093 | 3.000 | .065 | 14WHR-R300 |
| 4" | 3.406 | 4.000 | .083 | 14WHR-R400 |



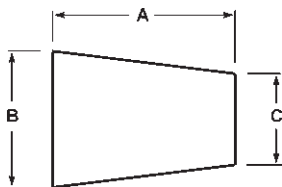
Weld Reducers

Polished Concentric Weld Reducers - B31W

- #3, #5 and electropolish finishes are available



| Tube OD | A | B | C | Nominal Wall | 304 Stainless Steel Part Number | 316L Stainless Steel Part Number |
|-----------|--------|-------|-------|--------------|---------------------------------|----------------------------------|
| ¾" x ½" | 1.000 | .750 | .500 | .065 | --- | B31W-R7550P |
| 1" x ½" | 2.000 | 1.000 | .500 | .065 | --- | B31W-R10050P |
| 1" x ¾" | 1.000 | 1.000 | .750 | .065 | --- | B31W-R10075P |
| 1½" x ½" | 4.000 | 1.500 | .500 | .065 | --- | B31W-R15050P |
| 1½" x ¾" | 3.000 | 1.500 | .750 | .065 | --- | B31W-R15075P |
| 1½" x 1" | 2.000 | 1.500 | 1.000 | .065 | B31W-G150100P | B31W-R150100P |
| 2" x ½" | 6.000 | 2.000 | .500 | .065 | --- | B31W-R20050P |
| 2" x ¾" | 5.000 | 2.000 | .750 | .065 | --- | B31W-R20075P |
| 2" x 1" | 4.000 | 2.000 | 1.000 | .065 | B31W-G200100P | B31W-R200100P |
| 2" x 1½" | 2.000 | 2.000 | 1.500 | .065 | B31W-G200150P | B31W-R200150P |
| 2½" x 1½" | 4.000 | 2.500 | 1.500 | .065 | B31W-G250150P | B31W-R250150P |
| 2½" x 2" | 2.000 | 2.500 | 2.000 | .065 | B31W-G250200P | B31W-R250200P |
| 3" x 1" | 8.000 | 3.000 | 1.000 | .065 | B31W-G300100P | B31W-R300100P |
| 3" x 1½" | 6.000 | 3.000 | 1.500 | .065 | B31W-G300150P | B31W-R300150P |
| 3" x 2" | 4.000 | 3.000 | 2.000 | .065 | B31W-G300200P | B31W-R300200P |
| 3" x 2½" | 2.000 | 3.000 | 2.500 | .065 | B31W-G300250P | B31W-R300250P |
| 4" x 1½" | 10.000 | 4.000 | 1.500 | .083 | B31W-G400150P | B31W-R400150P |
| 4" x 2" | 8.000 | 4.000 | 2.000 | .083 | B31W-G400200P | B31W-R400200P |
| 4" x 2½" | 6.000 | 4.000 | 2.500 | .083 | B31W-G400250P | B31W-R400250P |
| 4" x 3" | 4.000 | 4.000 | 3.000 | .083 | B31W-G400300P | B31W-R400300P |
| 6" x 2" | 5.500 | 6.000 | 2.000 | .109 | B31W-G600200P | B31W-R600200P |
| 6" x 3" | 5.500 | 6.000 | 3.000 | .109 | B31W-G600300P | B31W-R600300P |
| 6" x 4" | 5.500 | 6.000 | 4.000 | .109 | B31W-G600400P | B31W-R600400P |
| 8" x 4" | 6.000 | 8.000 | 4.000 | .120 | B31W-G800400P | B31W-R800400P |
| 8" x 6" | 6.000 | 8.000 | 6.000 | .120 | B31W-G800600P | B31W-R800600P |



Weld Reducers

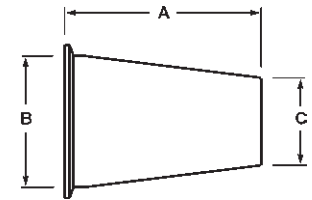
Polished Concentric Clamp x Weld Reducers - B31M 3

• #3, #5 and electropolish finishes are available

| Tube OD | A | B | C | Nominal Wall | 304 Stainless Steel Part Number | 316L Stainless Steel Part Number |
|-----------|-------|-------|-------|--------------|---------------------------------|----------------------------------|
| ¾" x ½" | 1.500 | .750 | .500 | .065 | --- | B31M-R7550 |
| 1" x ½" | 2.500 | 1.000 | .500 | .065 | --- | B31M-R10050 |
| 1" x ¾" | 1.500 | 1.000 | .750 | .065 | --- | B31M-R10075 |
| 1½" x ½" | 4.500 | 1.500 | .500 | .065 | --- | B31M-R15050 |
| 1½" x ¾" | 1.500 | 1.000 | .750 | .065 | --- | B31M-R15075 |
| 1½" x 1" | 2.500 | 1.500 | 1.000 | .065 | B31M-G150100 | B31M-R150100 |
| 2" x 1" | 4.500 | 2.000 | 1.000 | .065 | B31M-G200100 | B31M-R200100 |
| 2" x 1½" | 2.500 | 2.000 | 1.500 | .065 | B31M-G200150 | B31M-R200150 |
| 2½" x 1½" | 4.500 | 2.500 | 1.500 | .065 | B31M-G250150 | B31M-R250150 |
| 2½" x 2" | 2.500 | 2.500 | 2.000 | .065 | B31M-G250200 | B31M-R250200 |
| 3" x 1½" | 6.500 | 3.000 | 1.500 | .065 | B31M-G300150 | B31M-R300150 |
| 3" x 2" | 4.500 | 3.000 | 2.000 | .065 | B31M-G300200 | B31M-R300200 |
| 3" x 2½" | 2.500 | 3.000 | 2.500 | .065 | B31M-G300250 | B31M-R300250 |
| 4" x 2" | 8.625 | 4.000 | 2.000 | .083 | B31M-G400200 | B31M-R400200 |
| 4" x 2½" | 6.625 | 4.000 | 2.500 | .083 | B31M-G400250 | B31M-R400250 |
| 4" x 3" | 4.625 | 4.000 | 3.000 | .083 | B31M-G400300 | B31M-R400300 |



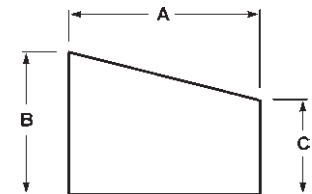
F
Polished Fittings



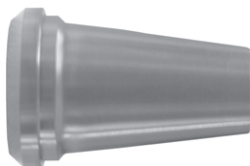
Polished Eccentric Weld Reducers - B32W 3

• #3, #5 and electropolish finishes are available

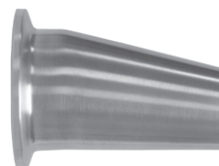
| Tube OD | A | B | C | Nominal Wall | 304 Stainless Steel Part Number | 316L Stainless Steel Part Number |
|-----------|--------|-------|-------|--------------|---------------------------------|----------------------------------|
| ¾" x ½" | 1.000 | .750 | .500 | .065 | --- | B32W-R7550P |
| 1" x ½" | 2.000 | 1.000 | .500 | .065 | --- | B32W-R10050P |
| 1" x ¾" | 1.000 | 1.000 | .750 | .065 | --- | B32W-R10075P |
| 1½" x ½" | 4.000 | 1.500 | .500 | .065 | --- | B32W-R15050P |
| 1½" x ¾" | 3.000 | 1.500 | .750 | .065 | --- | B32W-R15075P |
| 1½" x 1" | 2.000 | 1.500 | 1.000 | .065 | B32W-G150100P | B32W-R150100P |
| 2" x 1½" | 6.000 | 2.000 | .500 | .065 | --- | B32W-R20050P |
| 2" x ¾" | 5.000 | 2.000 | .750 | .065 | --- | B32W-R20075P |
| 2" x 1" | 4.000 | 2.000 | 1.000 | .065 | B32W-G200100P | B32W-R200100P |
| 2" x 1½" | 2.000 | 2.000 | 1.500 | .065 | B32W-G200150P | B32W-R200150P |
| 2½" x 1½" | 4.000 | 2.500 | 1.500 | .065 | B32W-G250150P | B32W-R250150P |
| 2½" x 2" | 2.000 | 2.500 | 2.000 | .065 | B32W-G250200P | B32W-R250200P |
| 3" x 1" | 8.000 | 3.000 | 1.000 | .065 | B32W-G300100P | B32W-R300100P |
| 3" x 1½" | 6.000 | 3.000 | 1.500 | .065 | B32W-G300150P | B32W-R300150P |
| 3" x 2" | 4.000 | 3.000 | 2.000 | .065 | B32W-G300200P | B32W-R300200P |
| 3" x 2½" | 2.000 | 3.000 | 2.500 | .065 | B32W-G300250P | B32W-R300250P |
| 4" x 1½" | 10.000 | 4.000 | 1.500 | .083 | B32W-G400150P | B32W-R400150P |
| 4" x 2" | 8.000 | 4.000 | 2.000 | .083 | B32W-G400200P | B32W-R400200P |
| 4" x 2½" | 6.000 | 4.000 | 2.500 | .083 | B32W-G400250P | B32W-R400250P |
| 4" x 3" | 4.000 | 4.000 | 3.000 | .083 | B32W-G400300P | B32W-R400300P |
| 6" x 3" | 5.500 | 6.000 | 3.000 | .109 | B32W-G600300P | B32W-R600300P |
| 6" x 4" | 5.500 | 6.000 | 4.000 | .109 | B32W-G600400P | B32W-R600400P |
| 8" x 4" | 6.000 | 8.000 | 4.000 | .120 | B32W-G800400P | B32W-R800400P |
| 8" x 6" | 6.000 | 8.000 | 6.000 | .120 | B32W-G800600P | B32W-R800600P |



Other types of weld reducers are available call Dixon Sanitary for information



B31P



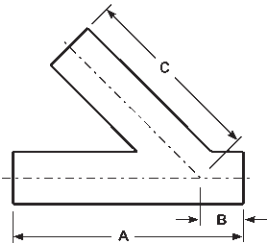
B32M



B32P

Miscellaneous Weld Configurations

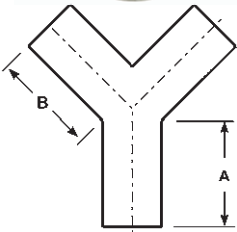
3 Polished Weld Laterals - B28WA



| Tube OD | A | B | C | Nominal Wall | 316L Stainless Steel Part Number |
|---------|--------|-------|--------|--------------|----------------------------------|
| 1" | 6.000 | 1.000 | 5.000 | .065 | B28WA-R100P |
| 1½" | 7.375 | 1.188 | 6.188 | .065 | B28WA-R150P |
| 2" | 8.750 | 1.625 | 7.125 | .065 | B28WA-R200P |
| 2½" | 10.000 | 1.500 | 8.500 | .065 | B28WA-R250P |
| 3" | 10.750 | 1.875 | 8.875 | .065 | B28WA-R300P |
| 4" | 12.812 | 2.015 | 10.750 | .083 | B28WA-R400P |
| 6" | 18.000 | 3.500 | 14.500 | .109 | B28WA-R600P |

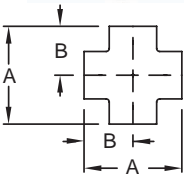
F
Polished Fittings

3 Polished Weld True Y - B28W



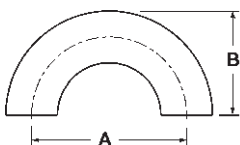
| Tube OD | A | B | Nominal Wall | 316L Stainless Steel Part Number |
|---------|-------|-------|--------------|----------------------------------|
| 1" | 2.000 | 2.438 | .065 | B28W-R100P |
| 1½" | 2.000 | 2.438 | .065 | B28W-R150P |
| 2" | 2.625 | 3.250 | .065 | B28W-R200P |
| 2½" | 3.370 | 4.125 | .065 | B28W-R250P |
| 3" | 4.000 | 4.875 | .065 | B28W-R300P |
| 4" | 5.375 | 5.375 | .083 | B28W-R400P |

3 Polished Weld Cross - B9WWWW



| Tube OD | A | B | Nominal Wall | 304 Stainless Steel Part Number | 316L Stainless Steel Part Number |
|---------|-------|-------|--------------|---------------------------------|----------------------------------|
| 1" | 2.250 | 1.125 | .065 | B9WWWW-G100P | B9WWWW-R100P |
| 1½" | 3.312 | 1.656 | .065 | B9WWWW-G150P | B9WWWW-R150P |
| 2" | 4.125 | 2.062 | .065 | B9WWWW-G200P | B9WWWW-R200P |
| 2½" | 4.687 | 2.343 | .065 | B9WWWW-G250P | B9WWWW-R250P |
| 3" | 5.187 | 2.593 | .065 | B9WWWW-G300P | B9WWWW-R300P |
| 4" | 6.875 | 3.437 | .083 | B9WWWW-G400P | B9WWWW-R400P |

3 Polished Weld 180° Return Bends - B2WUL



- bends are 1.5 x tube diameter

| Tube OD | A | B | 316L Stainless Steel Part Number |
|---------|--------|-------|----------------------------------|
| 1" | 3.000 | 2.000 | B2WUL-R100P |
| 1½" | 4.500 | 3.000 | B2WUL-R150P |
| 2" | 6.000 | 4.000 | B2WUL-R200P |
| 2½" | 7.500 | 5.000 | B2WUL-R250P |
| 3" | 9.000 | 6.000 | B2WUL-R300P |
| 4" | 12.000 | 8.000 | B2WUL-R400P |

Miscellaneous Weld Configurations

Weld End Blue Protection Covers - *BCW*

| Size | Part Number |
|--------|----------------|
| 1/2" | <i>BCW-050</i> |
| 3/4" | <i>BCW-075</i> |
| 1" | <i>BCW-100</i> |
| 1 1/2" | <i>BCW-150</i> |
| 2" | <i>BCW-200</i> |
| 2 1/2" | <i>BCW-250</i> |
| 3" | <i>BCW-300</i> |
| 4" | <i>BCW-400</i> |
| 6" | <i>BCW-600</i> |
| 8" | <i>BCW-800</i> |

- Use these covers to protect all weld ends on fittings and valves.
- vinyl plastic

