



UGPJ

Parts List
03-January-2017



*This parts list is current as of the above revision date.
See <http://www.rheempartslists.net/92-42801-UGPJ.pdf> for the current revision.*

80% Gas Furnaces

Table of Contents

Model Explanation	Page 3
Parts Numbers	
Panels - Miscellaneous	Page 4
Electrical Group	Page 5
Blower Group.....	Page 6
Heat Exchanger-Burner Group.....	Page 7
Gas Controls	Page 8
Orifice Selection Chart.....	Page 9
Drawings/Photographs	
Exploded View	Page 10
Blower Assembly	Page 11
Burner Assembly	Page 12
NOX Insert Assembly After F0299	Page 13
Notes	Page 14

MODEL NUMBER EXPLANATION

U	G	P	J	-	0	7	E	A	U	E	R
1	2	3	4			5		6	7	8	9

(1) **TRADEBRAND IDENTIFICATION**

(2) **MODEL**
G = Gas Furnace

(3) **TYPE**
P = Upflow Non-condensing

(4) **DESIGN SERIES**

(5) **HEATING INPUT DESIGNATION**

05 = 50,000 BTU/HR
07 - 75,000 BTU/HR
10 = 100,000 BTU/HR
12 = 125,000 BTU/HR
15 = 150,000 BTU/HR

E = Electric
N = Electric w/NOX

(6) **VARIATIONS**

A = Standard Cabinet
B = Wide Cabinet

(7) **BLOWER DESIGNATION**

M = 11 X 7
R = 11 X 10
U = 11 X 6

(8) **AIRFLOW**

E = 1100-1300 CFM
G = 1500-1700 CFM
J = 1800-2100 CFM

(9) **FUEL DESIGNATION**

R = Natural Gas

SERIAL NUMBER EXPLANATION

G	E	5	D	7	0	7	F	3	1	9	5	9	9	9	9
1		2	3	4	5	6	7	8		9				10	

(1) **GAS CODE**

(2) **LIMIT CONTROL**

(3) **BLOWER**

(4) **HEATING ELEMENT**

(5) **SPECIAL AREA REQUIREMENT**

(6) **MOTOR HORSEPOWER**

(7) **PLANT**
F'= Fort Smith, AR

(8) **WEEK**

(9) **YEAR**

(10) **PRODUCTION NUMBER**

No.	Notes	MODEL HEATING CAPACITY VARIATION BLOWER DESIGNATION AIRFLOW	UGPJ	UGPJ	UGPJ	UGPJ	UGPJ	
			05 A U E	07 A M G	07 A U E	10 A M E	10 B R G	
PANELS, SHEET METAL, MISCELLANEOUS								
1		Plug Button	45-22980-01	45-22980-01	45-22980-01	45-22980-01	45-22980-01	
2		Burner Compartment Door	AE-61675-01	AE-61676-01	AE-61676-01	AE-61676-01	AE-61677-01	
3		Blower/Filter Door	AE-61679-01	AS-67894-01	AS-67894-01	AS-67894-01	AS-67895-01	
4		Door Switch - Push Button	42-22692-01	42-22692-01	42-22692-01	42-22692-01	42-22692-01	
5		Junction Box	AE-61475-02	AE-61475-02	AE-61475-02	AE-61475-02	AE-61475-02	
6		Junction Box Cover	AE-61476-02	AE-61476-02	AE-61476-02	AE-61476-02	AE-61476-02	
7		Induced Draft Blower	See Electrical Group					
8		Blower Assembly	See Blower Group					
9		Jacket	AS-61690-17	AS-61690-18	AS-61690-19	AS-61690-18	AS-61690-20	
10		Heat Exchanger Bracket	See Heat Exchanger Group					
11		Heat Exchanger	See Heat Exchanger Group					
12		Top Plate	AE-61657-01	AE-61657-02	AE-61657-02	AE-61657-02	AE-61657-03	
13		Limit - Main Limit (Heat Exchanger Panel)	See Electrical Group					
14		Silicone Tubing - Pressure Switch	AE-61737-07	AE-61737-04	AE-61737-04	AE-61737-04	AE-61737-23	
15		Pressure Switch	See Electrical Group					
16		Rollout Switch Bracket	AE-61600-02	AE-61600-02	AE-61600-02	AE-61600-02	AE-61600-02	
17		Limit - Manual Reset (Burner Compartment)	See Electrical Group					
24		Control Mounting Plate	AE-67877-01	AE-67877-01	AE-67877-01	AE-67877-01	AE-67877-01	
26		Control Box Cover	AE-61699-02	AE-61699-02	AE-61699-02	AE-61699-02	AE-61699-02	
27		Control Box	68-22857-01	68-22857-01	68-22857-01	68-22857-01	68-22857-01	
		Touch-up Paint - Platinum (Aerosol)	523012	523012	523012	523012	523012	
		Touch-up Paint - Platinum (Paint Pen)	523013	523013	523013	523013	523013	
		Touch-up Paint - Green (Aerosol)	52-18662-48	52-18662-48	52-18662-48	52-18662-48	52-18662-48	
		Touch-up Paint - Green (Paint Pen)	523010	523010	523010	523010	523010	

No.	Notes	MODEL HEATING CAPACITY VARIATION BLOWER DESIGNATION AIRFLOW	UGPJ	UGPJ	UGPJ	UGPJ	UGPJ	
			10 B R J	12 A R G	12 A R J	15 A R G	15 A R J	
PANELS, SHEET METAL, MISCELLANEOUS								
1		Plug Button	45-22980-01	45-22980-01	45-22980-01	45-22980-01	45-22980-01	
2		Burner Compartment Door	AE-61677-01	AE-61678-01	AE-61678-01	AE-61678-01	AE-61678-01	
3		Blower/Filter Door	AS-67895-01	AS-67896-01	AS-67896-01	AS-67896-01	AS-67896-01	
4		Door Switch - Push Button	42-22692-01	42-22692-01	42-22692-01	42-22692-01	42-22692-01	
5		Junction Box	AE-61475-02	AE-61475-02	AE-61475-02	AE-61475-02	AE-61475-02	
6		Junction Box Cover	AE-61476-02	AE-61476-02	AE-61476-02	AE-61476-02	AE-61476-02	
7		Induced Draft Blower	See Electrical Group					
8		Blower Assembly	See Blower Group					
9		Jacket	AS-61690-20	AS-61690-26	AS-61690-26	AS-61690-26	AS-61690-26	
10		Heat Exchanger Bracket	See Heat Exchanger Group					
11		Heat Exchanger	See Heat Exchanger Group					
12		Top Plate	AE-61657-03	AE-61657-04	AE-61657-04	AE-61657-04	AE-61657-04	
13		Limit - Main Limit (Heat Exchanger Panel)	See Electrical Group					
14		Silicone Tubing - Pressure Switch	AE-61737-23	AE-61737-15	AE-61737-15	AE-61737-15	AE-61737-15	
15		Pressure Switch	See Electrical Group					
16		Rollout Switch Bracket	AE-61600-02	AE-61600-02	AE-61600-02	AE-61600-02	AE-61600-02	
17		Limit - Manual Reset (Burner Compartment)	See Electrical Group					
24		Control Mounting Plate	AE-67877-01	AE-67877-01	AE-67877-01	AE-67877-01	AE-67877-01	
26		Control Box Cover	AE-61699-02	AE-61699-02	AE-61699-02	AE-61699-02	AE-61699-02	
27		Control Box	68-22857-01	68-22857-01	68-22857-01	68-22857-01	68-22857-01	
		Touch-up Paint - Platinum (Aerosol)	523012	523012	523012	523012	523012	
		Touch-up Paint - Platinum (Paint Pen)	523013	523013	523013	523013	523013	
		Touch-up Paint - Platinum (Aerosol)	523012	523012	523012	523012	523012	
		Touch-up Paint - Green (Paint Pen)	523010	523010	523010	523010	523010	

No.	Notes	MODEL HEATING CAPACITY VARIATION BLOWER DESIGNATION AIRFLOW	UGPJ	UGPJ	UGPJ	UGPJ	UGPJ	
			05 A U E	07 A M G	07 A U E	10 A M E	10 B R G	
ELECTRIC GROUP								
7	Stk	Induced Draft Blower w/Gasket	70-101087-01	70-101087-01	70-101087-01	70-101087-01	70-101087-01	
13	Stk	Limit - Main Limit (Heat Exchanger Panel)	47-25349-03	47-25349-01	47-25349-02	47-25349-02	47-25349-01	
15	Stk	Pressure Switch	42-24194-01	42-24194-01	42-24194-01	42-24194-01	42-24194-01	
17	Stk	Limit - Manual Reset (Burner Compartment) (3)	47-22861-01	47-22861-01	47-22861-01	47-22861-01	47-22861-01	
23	Stk	Limit - Heat Assisted (Blower Housing)	47-22860-01	47-22860-01	47-22860-01	47-22860-03	47-22860-01	
25		Integrated Furnace Control Board (IFC)	See Gas Controls					
28	Stk	Transformer	46-24124-03	46-24124-03	46-24124-03	46-24124-03	46-24124-03	
		Transformer Fuse (Small - 9/16 in.)	46-22863-82	46-22863-82	46-22863-82	46-22863-82	46-22863-82	
		Transformer Fuse (Large - 1-9/16 in.)	46-22863-84	46-22863-84	46-22863-84	46-22863-84	46-22863-84	
		Wiring Harness - 6 pin to 4 pin, 4 wires	45-24371-05	45-24371-05	45-24371-05	45-24371-05	45-24371-05	
		Wiring Harness - 4 pin to 2 pin and 2 straight terminals, 4 wires	45-24371-17	45-24371-17	45-24371-17	45-24371-17	45-24371-17	
		Wiring Harness - 9 pin from board to 9 pin	45-24371-04	45-24371-04	45-24371-04	45-24371-04	45-24371-04	
		Wiring Harness - 9 pin to 8 terminals (5 insulated/1 straight/2 flag), 8 wires	45-24371-13	45-24371-13	45-24371-13	45-24371-13	45-24371-13	

No.	Notes	MODEL HEATING CAPACITY VARIATION BLOWER DESIGNATION AIRFLOW	UGPJ	UGPJ	UGPJ	UGPJ	UGPJ	
			10 B R J	12 A R G	12 A R J	15 A R G	15 A R J	
ELECTRIC GROUP								
7	Stk	Induced Draft Blower w/Gasket	70-101087-01	70-101087-01	70-101087-01	70-101087-01	70-101087-01	
13	Stk	Limit - Main Limit (Heat Exchanger Panel)	47-25349-01	47-25349-03	47-25349-03	47-25349-03	47-25349-03	
15	Stk	Pressure Switch	42-24194-01	42-24194-01	42-24194-01	42-24194-01	42-24194-01	
17	Stk	Limit - Manual Reset (Burner Compartment) (3)	47-22861-01	47-22861-01	47-22861-01	47-22861-01	47-22861-01	
23	Stk	Limit - Heat Assisted (Blower Housing)	47-22860-01	47-22860-03	47-22860-03	47-22860-04	47-22860-04	
25		Integrated Furnace Control Board (IFC)	See Gas Controls					
28	Stk	Transformer w/Fuse	46-24124-03	46-24124-03	46-24124-03	46-24124-03	46-24124-03	
		Transformer Fuse (Small - 9/16 in.)	46-22863-82	46-22863-82	46-22863-82	46-22863-82	46-22863-82	
		Transformer Fuse (Large - 1-9/16 in.)	46-22863-84	46-22863-84	46-22863-84	46-22863-84	46-22863-84	
		Wiring Harness - 6 pin to 4 pin, 4 wires	45-24371-05	45-24371-05	45-24371-05	45-24371-05	45-24371-05	
		Wiring Harness - 4 pin to 2 pin and 2 straight terminals, 4 wires	45-24371-17	45-24371-17	45-24371-17	45-24371-17	45-24371-17	
		Wiring Harness - 9 pin from board to 9 pin	45-24371-04	45-24371-04	45-24371-04	45-24371-04	45-24371-04	
		Wiring Harness - 9 pin to 8 terminals (5 insulated/1 straight/2 flag), 8 wires	45-24371-13	45-24371-13	45-24371-13	45-24371-13	45-24371-13	

No.	Notes	MODEL HEATING CAPACITY VARIATION BLOWER DESIGNATION AIRFLOW	UGPJ	UGPJ	UGPJ	UGPJ	UGPJ	
			05 A U E	07 A M G	07 A U E	10 A M E	10 B R G	
BLOWER GROUP								
8	Stk	Blower Assembly (Includes items 18-22)	AS-61697-47	AS-61697-66	AS-61697-79	AS-61697-80	AS-61697-67	
18	Stk	Blower Wheel	70-22683-01	70-23111-05	70-22683-01	70-22688-01	70-20602-01	
19		Housing	AS-61674-20	AS-61674-21	AS-61674-20	AS-61674-21	AS-61674-22	
20	Stk	Blower Motor	51-22873-01	51-24272-01	51-22858-01	51-22858-01	51-24272-01	
21		Motor Mount (4)	AE-61698-02	AE-61698-02	AE-61698-02	AE-61698-02	AE-61698-02	
22	Stk	Capacitor - Blower Motor	43-100509-42	43-100509-43	43-100509-42	43-100509-42	43-21298-43	
23		Limit - Heat Assisted (Blower Housing)	See Electrical Group					

No.	Notes	MODEL HEATING CAPACITY VARIATION BLOWER DESIGNATION AIRFLOW	UGPJ	UGPJ	UGPJ	UGPJ	UGPJ	
			10 B R J	12 A R G	12 A R J	15 A R G	15 A R J	
BLOWER GROUP								
8	Stk	Blower Assembly (Includes items 18-22)	AS-61697-74	AS-61697-67	AS-61697-74	AS-61697-67	AS-61697-74	
18	Stk	Blower Wheel	70-20602-01	70-20602-01	70-20602-01	70-20602-01	70-20602-01	
19		Housing	AS-61674-22	AS-61674-22	AS-61674-22	AS-61674-22	AS-61674-22	
20	Stk	Blower Motor	51-25327-01	51-24272-01	51-25327-01	51-24272-01	51-25327-01	
21		Motor Mount (4)	AE-61698-02	AE-61698-02	AE-61698-02	AE-61698-02	AE-61698-02	
22	Stk	Capacitor - Blower Motor	43-21298-43	43-21298-43	43-21298-43	43-21298-43	43-21298-43	
23		Limit - Heat Assisted (Blower Housing)	See Electrical Group					

No.	Notes	MODEL HEATING CAPACITY VARIATION BLOWER DESIGNATION AIRFLOW	UGPJ	UGPJ	UGPJ	UGPJ	UGPJ
			05 A U E	07 A M G	07 A U E	10 A M E	10 B R G
HEAT EXCHANGER, BURNER / MANIFOLD GROUP							
10		Heat Exchanger Bracket	AE-67846-02	AE-67846-02	AE-67846-02	AE-67846-02	AE-67846-02
11	Stk	Heat Exchanger Assembly	AS-61579-09	AS-100560-01	AS-100560-01	AS-61579-07	AS-61579-04
13		Limit - Main Limit (Heat Exchanger Panel)	See Electrical Group				
17		Limit - Manual Reset (Burner Compartment) (3)	See Electrical Group				
23		Limit - Heat Assisted (Blower Housing)	See Electrical Group				
29		NOX Burner Insert - Before F0299	AE-61771-01 (2)	AE-61771-01 (3)	AE-61771-01 (3)	AE-61771-01 (4)	N/A
34		NOX Burner Retainer Rod - Before F0299	AE-61715-01	AE-61715-01	AE-61715-01	AE-61715-01	N/A
29		NOX Insert Assembly - After F0299	AS-67875-01 (1)	AS-67875-01 (2)	AS-67875-01 (2)	AS-67875-01 (3)	N/A
34		NOX Insert Retainer - After F0299	AE-67872-01	AE-67872-02	AE-67872-02	AE-67872-03	N/A
30		Burner Support Bracket (2) - Before F0597	AE-61588-01	AE-61588-01	AE-61588-01	AE-61588-01	AE-61588-01
30		Burner Support Bracket (2) - After F0597	AE-61588-02	AE-61588-02	AE-61588-02	AE-61588-02	AE-61588-02
		Burner Support - Before F0597	AE-61577-01	AE-61577-02	AE-61577-02	AE-61577-03	AE-61577-03
		Burner Support - After F0597	AE-60997-01	AE-60997-02	AE-60997-02	AE-60997-03	AE-60997-03
31	Stk	Manifold (w/o Orifices)	81-102427-01	81-102427-02	81-102427-02	81-102427-03	81-102427-03
32	Stk	Burner w/Shield - Before F0597	75-22840-02 (2)	75-22840-02 (3)	75-22840-02 (3)	75-22840-02 (4)	75-22840-02 (4)
32	Stk	Burner Assembly - After F0597	AS-60993-02	AS-60993-03	AS-60993-03	AS-60993-04	AS-60993-04
		Burner Orifice - Natural Gas	See Orifice Selection Chart				
		Burner Orifice - LP	See Orifice Selection Chart				
		Number of Orifices	(2)	(3)	(3)	(4)	(4)

No.	Notes	MODEL HEATING CAPACITY VARIATION BLOWER DESIGNATION AIRFLOW	UGPJ	UGPJ	UGPJ	UGPJ	UGPJ
			10 B R J	12 A R G	12 A R J	15 A R G	15 A R J
HEAT EXCHANGER GROUP							
10		Heat Exchanger Bracket	AE-67846-02	AE-67846-02	AE-67846-02	AE-67846-02	AE-67846-02
11	Stk	Heat Exchanger Assembly	AS-61579-04	AS-61579-05	AS-61579-05	AS-61579-06	AS-61579-06
13		Limit - Main Limit (Heat Exchanger Panel)	See Electrical Group				
17		Limit - Manual Reset (Burner Compartment) (3)	See Electrical Group				
23		Limit - Heat Assisted (Blower Housing)	See Electrical Group				
29		NOX Burner Insert - Before F0299	AE-61771-01 (4)	AE-61771-01 (5)	AE-61771-01 (5)	N/A	AE-61771-01 (6)
34		NOX Burner Retainer Rod - Before F0299	AE-61715-01	AE-61715-01	AE-61715-01	N/A	AE-61715-01
29		NOX Insert Assembly - After F0299	AS-67875-01 (3)	AS-67875-01 (4)	AS-67875-01 (4)	N/A	AS-67875-01 (5)
34		NOX Insert Retainer - After F0299	AE-67872-03	AE-67872-04	AE-67872-04	N/A	AE-67872-05
30		Burner Support Bracket (2) - Before F0597	AE-61588-01	AE-61588-01	AE-61588-01	AE-61588-01	AE-61588-01
30		Burner Support Bracket (2) - After F0597	AE-61588-02	AE-61588-02	AE-61588-02	AE-61588-02	AE-61588-02
		Burner Support - Before F0597	AE-61577-03	AE-61577-04	AE-61577-04	AE-61577-05	AE-61577-05
		Burner Support - After F0597	AE-60997-03	AE-60997-04	AE-60997-04	AE-60997-05	AE-60997-05
31	Stk	Manifold (w/o Orifices)	81-102427-03	81-102427-04	81-102427-04	81-102427-05	81-102427-05
32	Stk	Burner w/Shield - Before F0597	75-22840-02 (4)	75-22840-02 (5)	75-22840-02 (5)	75-22840-02 (6)	75-22840-02 (6)
32	Stk	Burner Assembly - After F0597	AS-60993-04	AS-60993-05	AS-60993-05	AS-60993-06	AS-60993-06
		Burner Orifice - Natural Gas	See Orifice Selection Chart				
		Burner Orifice - LP	See Orifice Selection Chart				
		Number of Orifices	(4)	(5)	(5)	(6)	(6)

No.	Notes	MODEL GAS CODE (TYPE)	UGPJ EB (HSI)	UGPJ EC (HSI)	UGPJ EU (HSI)	UGPJ EV (HSI)	UGPJ EZ (HSI)
GAS CONTROLS							
25	Stk	Integrated Furnace Control Board (IFC)	62-24268-01	62-24268-01	62-24044-01	62-24084-02	62-24268-01
	Stk	Flame Sensor	62-23543-01	62-23543-01	62-23543-01	62-23543-01	62-23543-01
33	Stk	Gas Valve - Natural Gas	60-105055-01	60-23490-01	60-24290-01	60-24290-01	60-24350-01
33	Stk	Gas Valve - LP	See Note 1	See Note 1	See Note 1	See Note 1	See Note 1
35	Stk	Ignitor	62-22868-02	62-22868-02	62-22868-02	62-22868-02	62-22868-02
		Ignitor Bracket	AE-61581-01	AE-61581-01	AE-61581-01	AE-61581-01	AE-61581-01
		Ignitor Shield	AE-61627-01	AE-61627-01	AE-61627-01	AE-61627-01	AE-61627-01
LP Conversion Kit:							
	Stk	U.S. Models	FP-15	FP-15	FP-15	FP-15	FP-15
	Stk	Canadian Models	FP-15	FP-04	FP-04	FP-04	FP-04

No.	Notes	MODEL GAS CODE (TYPE)	UGPJ FW (HSI)	UGPJ FX (HSI)	UGPJ GA (HSI)	UGPJ GB (HSI)	UGPJ GC (HSI)
GAS CONTROLS							
25	Stk	Integrated Furnace Control Board (IFC)	62-24192-01	62-24192-01	62-24268-02	62-24268-02	62-24268-02
	Stk	Flame Sensor	62-23543-01	92-21310-40	62-23543-01	62-23543-01	62-23543-01
33	Stk	Gas Valve - Natural Gas	60-23490-01	60-105055-01	60-105055-01	60-24350-01	60-23490-01
33	Stk	Gas Valve - LP	See Note 1	See Note 1	See Note 1	See Note 1	See Note 1
35	Stk	Ignitor	62-22868-02	62-22868-02	62-22868-02	62-22868-02	62-22868-02
		Ignitor Bracket	AE-61581-01	AE-61581-01	AE-61581-01	AE-61581-01	AE-61581-01
		Ignitor Shield	AE-61627-01	AE-61627-01	AE-61627-01	AE-61627-01	AE-61627-01
LP Conversion Kit:							
	Stk	U.S. Models	FP-15	FP-15	FP-15	FP-15	FP-15
	Stk	Canadian Models	FP-04	FP-15	FP-15	FP-04	FP-04

No.	Notes	MODEL GAS CODE (TYPE)	UGPJ GE (HSI)	UGPJ GF (HSI)			
GAS CONTROLS							
25	Stk	Integrated Furnace Control Board (IFC)	62-24268-02	62-24192-01			
	Stk	Flame Sensor	62-23543-01	62-23543-01			
33	Stk	Gas Valve - Natural Gas	60-105055-01	60-105055-01			
33	Stk	Gas Valve - LP	See Note 1	See Note 1			
35	Stk	Ignitor	62-22868-02	62-22868-02			
		Ignitor Bracket	AE-61581-01	AE-61581-01			
		Ignitor Shield	AE-61627-01	AE-61627-01			
LP Conversion Kit:							
	Stk	U.S. Models	FP-15	FP-15			
	Stk	Canadian Models	FP-15	FP-15			

80% GAS FURNACE - ORIFICE SELECTION CHART - NATURAL GAS

CAUTION: Selection of the correct Natural Gas Orifice requires the following information for the specific installation:

- 1) Altitude in of the installation (ft.).
- 2) Average energy content of the Natural Gas fuel from the local supplier (BTU/cu. ft.).

For detailed information and instructions for Orifice selection, see the Gas Furnace LP Conversion Kit Index 92-21519-59 and the latest edition of the National Fuel Gas Code Handbook, or the National Standard of Canada, Natural Gas and Propane Installation Code, CAN B149.1.

CAUTION: This information is provided for replacement purposes only. Conversion for operation at High Altitude must be done using the kit specified on the product specification sheet for the unit.

NOTE: This Orifice sizing chart is based on 25,000 BTU/HR per burner.

NOTE: Factory installed orifices are calculated and sized based on a Natural Gas heating value of 1075 BTU/cu. ft. and an elevation of 0 - 3000 ft.

Energy Value (BTU/cu. ft.)	Elevation (ft.)							
	0 - 1999	2000 - 2999	3000 - 3999	4000 - 4999	5000 - 5999	6000 - 6999	7000 - 7999	8000 - 8999
850	62-22175-38	62-22175-39	62-22175-40	62-22175-41	62-22175-41	62-22175-42	62-22175-42	62-22175-43
900	62-22175-40	62-22175-41	62-22175-42	62-22175-42	62-22175-42	62-22175-43	62-22175-43	62-22175-44
975	62-22175-41	62-22175-42	62-22175-42	62-22175-42	62-22175-43	62-22175-43	62-22175-44	62-22175-44
1075	62-22175-42	62-22175-42	62-22175-43	62-22175-43	62-22175-43	62-22175-44	62-22175-44	62-22175-45
1170	62-22175-43	62-22175-44	62-22175-44	62-22175-44	62-22175-45	62-22175-45	62-22175-46	62-22175-47

80% GAS FURNACE - ORIFICE SELECTION CHART - LP

CAUTION: Selection of the correct LP Orifice requires the altitude of the specific installation (ft.).

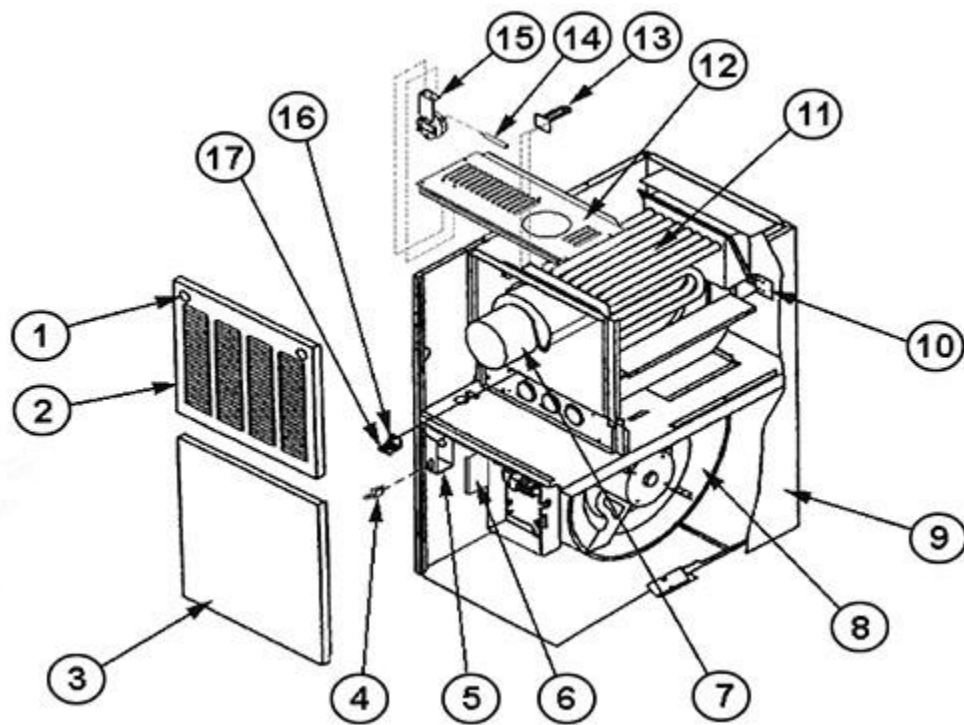
For detailed information and instructions for Orifice selection, see the Gas Furnace LP Conversion Kit Index 92-21519-59 and the latest edition of the National Fuel Gas Code Handbook (NFG), or the National Standard of Canada, Natural Gas and Propane Installation Code, CAN B149.1.

CAUTION: This information is provided for replacement purposes only. Conversion to LP or for operation at High Altitude should be done using the kit(s) specified on the product specification sheet for the unit.

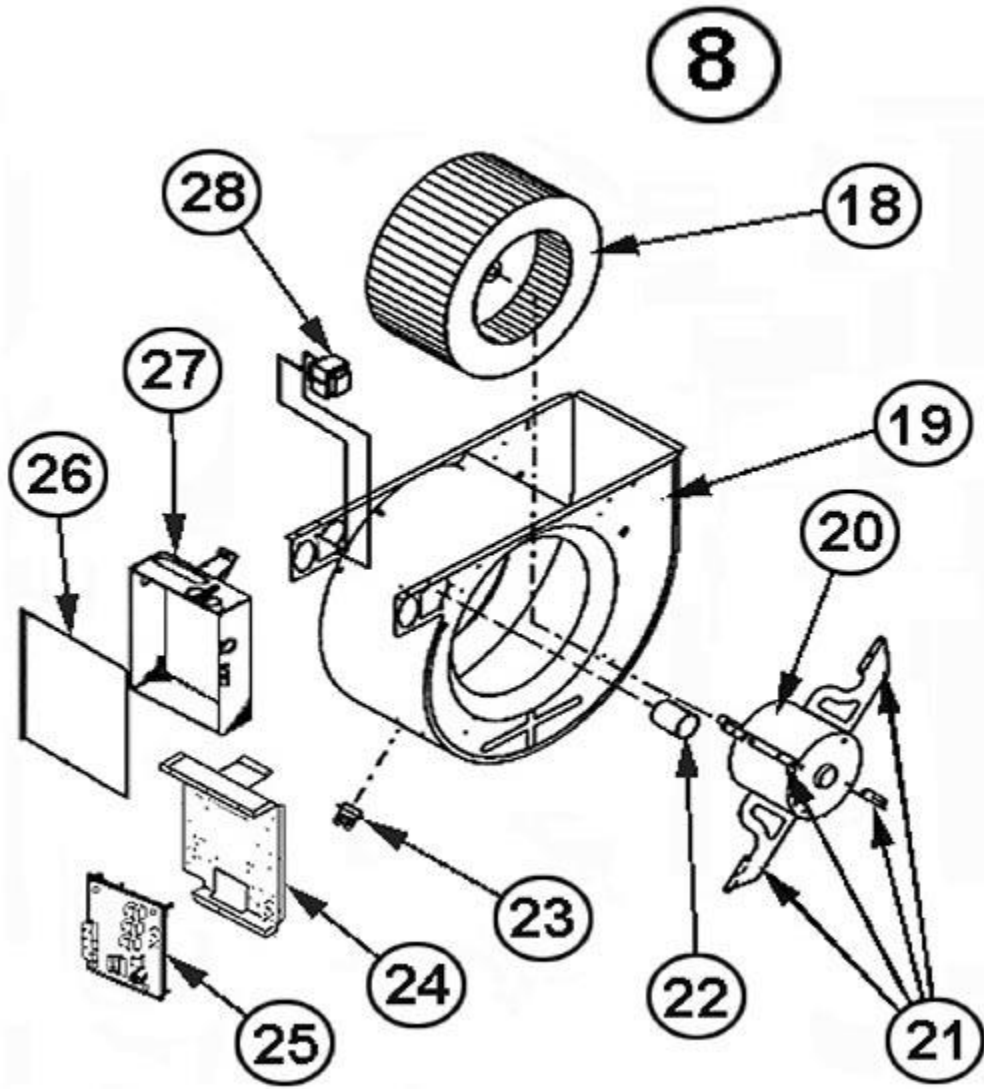
NOTE: This Orifice sizing chart is based on 25,000 BTU/HR per burner. Also, the chart is developed using the specified pressure setting of 10 in. water column instead of the 11.0 in water column used by the NFG and CANB149.1.

NOTE: Orifices supplied in the LP Conversion Kit are calculated and sized based on an altitude of 0 - 4000 ft.

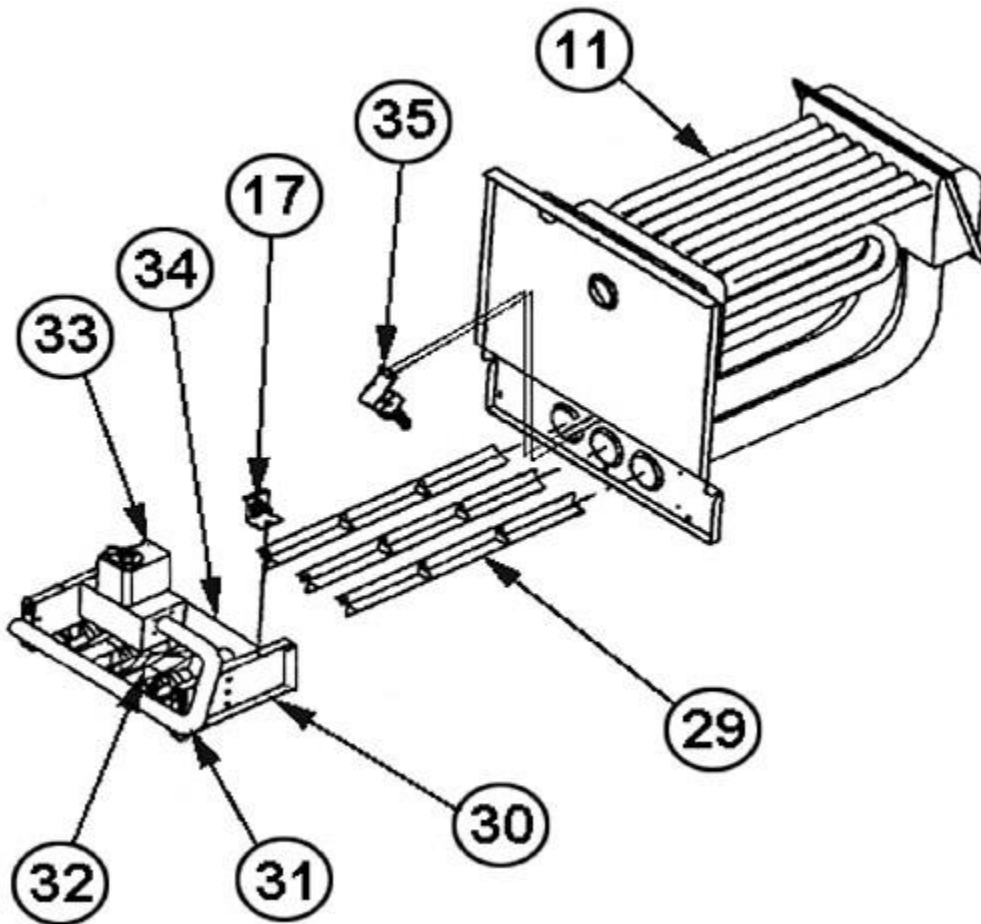
Elevation (ft.)	Orifice							
0 - 2000	62-22175-54							
2001 - 3000	62-22175-54							
3001 - 4000	62-22175-54							
4001 - 5000	62-22175-54							
5001 - 6000	62-22175-54							
6001 - 7000	62-22175-54							
7001 - 8000	62-22175-55							
8001 - 9000	62-22175-55							
9001 - 10000	62-22175-55							



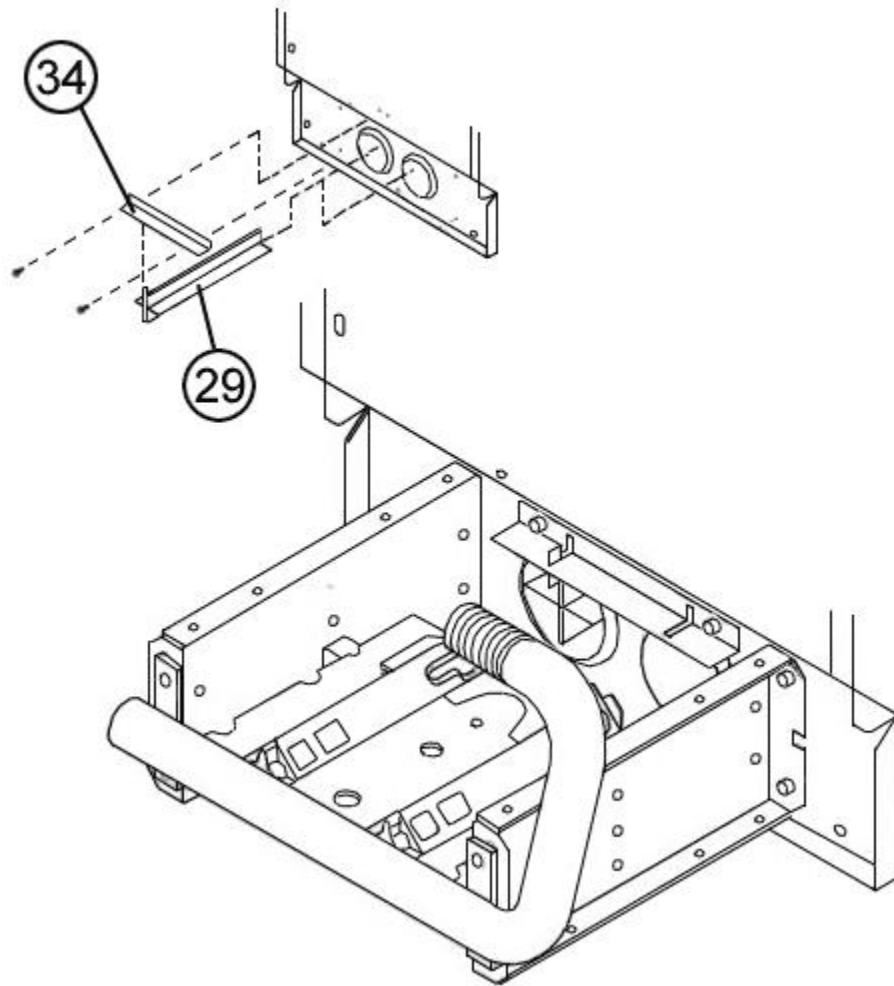
Exploded View



Blower Assembly



Burner Assembly



NOX Insert Assembly After F0299

NOTES

Stk It is recommended that stock be maintained for this part.

N/A Not Applicable

- 1 Order Gas Valve for Natural Gas along with LP Conversion Kit. (If the original valve has been replaced, order the spring kit for the replacement valve.)