



**EXCELLENCE BY DESIGN**

Value Engineered Products



**VEP Continuously Strives For Excellence In Our People, Product, Process And Service**

756 S. Jason Street, Suite 17 • Denver, Colorado 80223  
Phone (303) 715-9990 • Fax (303) 715-9991  
[www.valueng.com](http://www.valueng.com)

---

TABLE OF CONTENTS

Value Engineered Products	
Introduction .....	2
Product Introduction.....	3
Pro-Shield .....	4
Chill-Shield.....	5
Quik-Shield .....	6
MaxSpan .....	7
MaxSpan R.H. ....	8
PP-R Pro-Shield .....	9
WeatherShield Upgrade .....	10
Insulation Protection Shields .....	11
Protection Shield Ordering Guide.....	12
PG Series Insulated Pipe Guides .....	13
PS Series Insulated Pipe Slides .....	14
PA Series Insulated Pipe Anchors .....	15
Insulated Guide and Slide Selection Chart.....	16
Application Information .....	17
Hanger Sizing Guide .....	18
Pipe Dimensions / MSS Allowable Spans ...	19
Suggested Specification Guidelines for Insulated Pipe Supports .....	20
Manufacturers Standardization Society (MSS) Statement.....	21
General Terms and Conditions of Sale, Warranty .....	22

Revised September 2018

Submittal Pages are available on request  
VEP's most current information is always available on our website  
**www.valueng.com**

# Introduction

## Excellence By Design

Value Engineered Products (VEP) offers the engineering, mechanical, plumbing and insulation communities a series of insulated pipe supports designed to meet the broadest range of applications. Our product line is extremely easy to specify and install, and meets or exceeds all industry standards. In addition to offering excellent products, VEP is continually updating and improving our designs and product offerings. This is one of the reasons we have been a trusted industry leader and innovator for over two decades.

## Setting The Standard

All insulated pipe systems require protection at each point of support to maintain the integrity of the insulation system. Descriptions for this type of product vary widely throughout the industry. The most commonly referenced standards are those published by the Manufacturers Standardization Society of the Pipe, Valve and Fitting Industry (MSS)\*.

The MSS document SP-58, Paragraph 7.6 "Protection Saddles and Shields" provides the parameters for Type 40 thermal hanger shields. These standards generically call for 'high-density inserts.' Value Engineered Products has helped to better define 'high-density' in terms of compressive strength, and therefore, offer materials with documented compressive strengths up to 3000 PSI.

---

***VEP continually delivers products offering excellent performance with a proven track record in design and supply chain management.***

---

In addition to products that meet or exceed the minimum protection requirements, VEP has designed products that take into account practical matters that occur in the field, such as point loading, moisture resistance, unit weight and overall ease of installation.

Value Engineered Products' Pro-Shield, and MaxSpan R.H. meet the design criteria of both the Manufacturers Standardization Society and the American Institute of Architects 'MasterSpec' provisions.

## Simplicity Of Design

Our insulated pipe supports are easy to specify, order and install. Each design works seamlessly together with the standard pipe hanger system to provide the level of protection needed. VEP offers a simple, one-piece hinged construction for high-density insulation for hot or cold pipe systems. Our products have a factory applied jacketing meeting ASTM E 96A (maximum 0.02 perm) and galvanized steel shield in one, easy-to-install, pre-assembled unit that will always meet code specifications.

\*All MSS references and quotes in this catalogue are extracted from MSS SP-58 (2009) with permission of the publisher, The Manufacturers Standardization Society.

## Product Introduction

Value Engineered Products manufactures a wide array of insulated pipe supports to meet the needs of various piping systems and specifications. Units may be ordered to precisely fit copper tube, steel or cast at no additional cost. Custom sized units for ductile Iron and plastic pipes are available also. Standard units are available in 1/2-inch wall thickness through 6-inch pipe and 1-inch wall thickness through 24-inch pipe diameters. Ultra-high compressive strength structural inserts are standard on 10-inch pipe with 1-inch wall thickness and all units for 12-inch pipe size and larger.

All products feature a factory applied jacketing meeting ASTM E 96A (maximum 0.02 perm) making the units appropriate for either high or low temperature applications. The jacketing and insulation extend beyond the steel shields to provide a positive, neat seal with the adjoining insulation jacket. Custom units can be manufactured to meet any engineering requirements.



**MaxSpan RH**



**Quik-Shields**



**Chill-Shields**



**Pro-Shields**



# Pro-Shield

## Description / Features

Pro-Shields are 360° thermal hanger shields designed to meet the broadest range of pipe support applications. They provide a continuous section of insulation with factory applied jacketing meeting ASTM E 96A (maximum 0.02 perm) through a wide variety of pipe hangers for pipe systems operating between +20° F. and +1200° F. The insulation and jacketing extend beyond the galvanized steel shield for a neatly sealed joint with the adjoining insulation. Pro-Shields are suitable for use in any type of clamp as well as in band-type hangers and on flat surfaces. To assure proper support in all situations, high density 450 PSI inserts are installed in units for 10" pipe with 1" insulation thickness and in all units for 12" pipe and larger. **Pro-Shields meet the MSS standard for a Type 40 shield per MSS SP-58, Paragraph 7.63 – 7.66. Pro-Shields Meet ASTM E84 Standards Flame Spread-5-, smoke developed-5-**

## Applications

- For indoor use on clamping support systems, flat surfaces, clevis or other band-type hangers (see WeatherShield Upgrade submittal for outdoor use).
- Pipe sizes 16 inch and larger *in clevis or two bolt hangers only*.
- Chilled to steam piping and dual temperature lines.
- Hanger spans per MSS SP-58 Table A3.
- Available for pipe 1/2 inch through 24 inches, insulation thickness 1/2 inch (to 6" pipe) through 4 inches.

## Materials / Construction

- 100 PSI Calcium silicate meeting ASTM C-533 Type 1, C-585, C-795, E-84, Thermal Conductivity ('k')=.40 @ 75° F.
- Adhesive complying with NFPA 90-A, ASTM E-84
- G-90 Galvanized steel shield, small check per ASTM A-653 (replaces A-527).
- Factory applied jacketing meeting ASTM E 96A (maximum 0.02 perm), ASTM D-774, D-828 and E-84,
- Structural insert (12" pipe and larger) minimum 450 PSI calcium silicate meeting ASTM C-656 Type II, Grade 5, C-795 and E-84
- All units and components are asbestos free and 100% made and assembled in the U.S.A.

## DIMENSIONS

PIPE SIZE	1/2" to 1-1/2"	2" to 5"	6" to 8"	10" to 12"	14" to 24"
Insulation Length	6"	6"	9"	9"	12"
	150 mm	150 mm	230 mm	230 mm	300 mm
Shield Length	4"	4"	6"	6"	10"
	100 mm	100 mm	150 mm	150 mm	250 mm
Shield Gauge	22 ga.	20 ga.	16 ga.	14 ga.	12 ga.
	.9 mm	1.0 mm	1.6 mm	2.0 mm	2.75 mm

# Chill-Shield



## Description / Features

Chill-Shields are 360° thermal hanger shields designed to meet a broad range of pipe support applications on low temperature lines. They provide a continuous section of insulation and factory applied jacketing meeting ASTM E 96A (maximum 0.02 perm), and are designed for pipe systems operating between -250° F. and +225° F. The insulation and jacketing extend beyond the galvanized steel shield for a neat, joint with the adjoining insulation. Chill-Shields are suitable for use in any type of clamp as well as in band-type hangers. Polyisocyanurate inserts and heavy gauge steel shields ensure proper pipe support. These cost-effective designs meet the requirements of either pipe or tube systems.

## Applications

- For indoor use on clamping support systems, clevis or other band-type hangers.
- Chilled piping to domestic hot water.
- Hanger spans per MSS SP-58 Table A3 (not suitable for extended hanger spans).
- Available for pipe 1/2 inch through 24 inches.

## Materials / Construction

- 360° Polyisocyanurate 24 PSI material-Thermal Conductivity ('K') .19 @ 75°F for Tube sizes through 6" and pipe sizes 1/2" through 2-1/2", 40 PSI material-Thermal Conductivity ('K') .20 @ 75° F for pipe sizes larger than 3" and tube sizes larger than 6".
- Meeting ASTM D-1621, D-1622, D-1623, C-203, C-518 and E-84, Flame -25-, Smoke -450-.
- 360° Non-reactive factory applied jacketing meeting ASTM E 96A (maximum 0.02 perm), ASTM D-774, D-828 and E-84, Flame-5-, Smoke -5-.
- Adhesive complying with NFPA 90-A and ASTM E-84, Flame Spread -10-, Smoke Developed -0-.
- G-90 Galvanized steel shield, small check per ASTM A-653 (replaces A-527).
- All units are asbestos free and 100% made and assembled in the U.S.A.

## DIMENSIONS

PIPE SIZE	5/8" To 1-1/2" IPS	2-1/8" To 3-1/8"	3" IPS	4-1/8"	4" IPS	5-1/8"	5" IPS	6-1/8"	6"IPS To 8" IPS	10" to 24" Pipe
Insulation Length	6"	6"	6"	6"	6"	6"	6"	9"	9"	Call Plant
Shield Length	4"	4"	4"	4"	4"	4"	4"	6"	6"	
Shield Gauge	22 ga.	20 ga.	20 ga.	20 ga.	20 ga.	20 ga.	20 ga.	16 ga.	16 ga.	
Compressive Strength	24 PSI	24 PSI	40 PSI	24 PSI	40 PSI	24 PSI	40 PSI	24 PSI	40 PSI	

# Quik-Shield



## Description / Features

Quik-Shields are economically priced 180° thermal hanger shields providing a continuous section of insulation and factory applied jacketing meeting ASTM E 96A (maximum 0.02 perm) through a variety of pipe hangers. These 180° thermal hanger shields provide a continuous section of insulation and factory applied jacketing meeting ASTM E 96A (maximum 0.02 perm) through the hanger and can be used on piping systems operating between +20° F. and +1200° F. The jacket extends beyond the galvanized steel shield and beyond the insulation insert for a neat, joint with both the adjoining and the field-applied top insulation. To assure proper support in all situations, high density 450 PSI structural inserts are installed on units for 10" pipe with 1" wall thickness and on all units for 12" pipe and larger. **Quik-Shields meet the ASTM E84 Standard Flame Spread -5-, Smoke Developed -5-.**

## Applications

- For indoor use on flat surfaces, clevis or other band-type hangers.
- Pipe sizes 16 inch and larger in *clevis hangers only*.
- Chilled to steam piping and dual temperature lines.
- Hanger spans per MSS SP-58 Table A3.
- Available for pipe 1/2 inch through 24 inches.
- Insulation thickness 1/2 inch (to 6" pipe) through 4 inches.

## Materials / Construction

- 100 PSI Calcium silicate meeting ASTM C-533 Type 1, C-585, C-795, E-84, Thermal Conductivity ('k') .40 @ 75° F. mean.
- Adhesive complying with NFPA 90-A, ASTM E-84
- G-90 Galvanized steel shield, small check per ASTM A-653 (replaces A-527).
- Factory applied jacketing meeting ASTM E 96A (maximum 0.02 perm), ASTM D-774, D-828 and E-84.
- Structural insert (12" pipe and larger) 450 PSI calcium silicate meeting ASTM C-656 Type II, Grade 5, C-795 and E-84
- All units and components are asbestos free and 100% made and assembled in the U.S.A.

## DIMENSIONS

PIPE SIZE	1/2" to 1-1/2"	2" to 5"	6" to 8"	10" to 12"	14" to 24"
Insulation Length	6"	6"	9"	9"	12"
	150 mm	150 mm	230 mm	230 mm	300 mm
Shield Length	4"	4"	6"	6"	10"
	100 mm	100 mm	150 mm	150 mm	250 mm
Shield Gauge	22 ga.	20 ga.	16 ga.	14 ga.	12 ga.
	.9 mm	1.0 mm	1.6 mm	2.0 mm	2.75 mm

# MaxSpan

**Description / Features**

MaxSpan thermal hanger shields are designed to provide a superior safety margin when supporting pipe with hanger spans up to the maximum allowed in Table 4 of the MSS SP-58 in clevis or clamp hangers. These 360° thermal hanger shields provide a continuous section of insulation and factory applied jacketing meeting ASTM E 96A (maximum 0.02 perm) through the hanger and can be used on piping systems operating between +20° F. and +1200° F. The insulation and jacketing extend beyond the galvanized steel shield for a neatly sealed joint with the adjoining insulation. To achieve the protection required by long hanger spans, MaxSpan thermal hanger shields utilize heavier gauge shields, and utilize Type 2 calcium silicate (Grade 5, 450 PSI for 10" through 14" and Grade 6, 900 PSI for 16" pipe and larger). **The MaxSpan meets or exceeds the MSS standard for Type 40 Shields per MSS SP-58, Paragraph 7.63 – 7.66. MaxSpan meets the ASTM E84 Standard Flame Spread -5-, Smoke Developed -5-.**

**Applications**

- For indoor use on all band and clamping hanger systems (see WeatherShield Upgrade data sheet for outdoor applications).
- Chilled to steam piping and dual temperature lines.
- Hanger spans per MSS SP-58 Table 4 in clevis or two-bolt clamp hangers.
- Available for pipe through 24 inches.
- Insulation thickness 1/2 inch (to 6" pipe) through 4 inches.

**Materials / Construction**

- 1/2" through 8" pipe - 360° 100 PSI Calcium silicate meeting ASTM C-533 Type 1, C-585, C-795, E-84, Thermal Conductivity ('k') .40 @ 75° F mean.
- 10" through 14" pipe 100 PSI Top, 450 PSI Type 2 Grade 5 calcium silicate bottom.
- 16" through 24" pipe 100 PSI Top, 900 PSI Type 2 Grade 6 calcium silicate bottom
- Adhesive complying to NFPA 90-A and ASTM E-84..
- G-90 Galvanized steel shield, small check per ASTM A-653 (replaces A-527).
- Factory applied jacketing meeting ASTM E 96A (maximum 0.02 perm), ASTM D-774, D-828 and E-84.
- All units and components are asbestos free and 100% made and assembled in the U.S.A.

**DIMENSIONS**

PIPE SIZE	1/2" to 3"	4" to 5"	6" to 8"	10" to 14"	16" to 24"
Insulation Length	6"	9"	9"	9"	9"
	150 mm	230 mm	230 mm	230 mm	230 mm
Shield Length	4"	6"	6"	6"	6"
	100 mm	150 mm	150 mm	150 mm	150 mm
Compressive Strength	100 PSI	100 PSI	100 PSI	450 PSI	900 PSI
Shield Gauge	18 ga.	16 ga.	14 ga.	14 ga.	12 ga.
	1.3 mm	1.6 mm	1.6 mm	2.0 mm	2.75 mm



# MaxSpan R.H.



## Description / Features

The MaxSpan R.H. thermal hanger shield is specifically designed to provide a superior safety margin for pipe mounted on pipe rollers, flat surfaces or with supports where point loading may be a concern. These rugged units allow hanger spans up to the maximum allowed in Table 4 of the MSS SP-58. They are appropriate for either hot or cold pipe systems. These 360° thermal hanger shields provide a continuous section of insulation and factory applied jacketing meeting ASTM E 96A (maximum 0.02 perm) through the hanger and can be used on piping systems operating between +20° F. and +1200° F. The insulation and factory applied jacketing meeting ASTM E 96A (maximum 0.02 perm) extend beyond the galvanized steel shield for a neatly sealed joint with the adjoining insulation. Units for pipe 4" and larger include a wear/weight distribution plate of carbon steel (primer painted). Additionally, a segment of ultra-high density, 900 PSI calcium silicate is fabricated into units for 10" pipe size and larger. **The MaxSpan R.H. meets or exceeds the MSS standard for Type 40 Shields per MSS SP-58, Paragraph 7.63 – 7.66. MaxSpan R.H. meets the ASTM E84 Standard Flame Spread -5-, Smoke Developed -5-.**

## Applications

- For indoor use on all roller hanger systems and flat surfaces (see Weather Shield Upgrade data page for outdoor applications).
- Chilled to steam piping and dual temperature lines.
- Hanger spans per MSS SP-58 Table 4.
- Available for pipes 1/2 inch through 24 inches.
- Insulation thickness 1/2 inch (to 6" pipe) through 4 inches.

## Materials / Construction

- 100 PSI Calcium silicate meeting ASTM C-533 Type 1, C-585, C-795, E-84, Thermal Conductivity ('k') .40 @ 75° F mean.
- Adhesive complying with NFPA 90-A and ASTM E-84.
- G-90 Galvanized steel shield, small check per ASTM A-653 (replaces A-527).
- Wear/Weight Distribution Plate - carbon steel meeting ASTM A-36.
- Factory applied jacketing meeting ASTM E 96A (maximum 0.02 perm), ASTM D-774, D-828 and E-84.
- Structural insert (10" pipe and larger) of 900 PSI calcium silicate per ASTM C-656 Type II Grade 6.

## DIMENSIONS

PIPE SIZE	1/2" to 1-1/2"	2" to 3"	4" to 8"	10" to 12"	14" to 24"
Insulation Length	9"	9"	9"	12"	12"
	230 mm	230 mm	230 mm	300 mm	300 mm
Shield Length	6"	6"	6"	8"	10"
	150 mm	150 mm	150 mm	200 mm	250 mm
Shield Gauge	18 ga.	16 ga.	14 ga.	14 ga.	14 ga.
	1.3 mm	1.6 mm	2.0 mm	2.0 mm	2.75 mm
Plate Dimensions	N/A	N/A	1/8" X 6"	1/4" X 8"	1/4" X 10"
Travel Allowed	+/- 2"	+/- 2"	+/- 2"	+/- 2"	+/- 3"
Shield Gauge	18 ga.	16 ga.	14 ga.	14 ga.	14 ga.
	1.3 mm	1.6 mm	2.0 mm	2.0 mm	2.75 mm

# Customized for Metric sized PP-R pipe sizes

## Description / Features

PP-R Pro-Shields are 360° thermal hanger shields custom cut for Perfect ID match to metric PP-R OD's. They are designed to meet a broad range of pipe support applications while providing a continuous section of insulation and factory applied jacketing meeting ASTM E 96A (maximum 0.02 perm) through a variety of pipe hangers. These units are appropriate across the entire PP-R temperature range. On all units the insulation and jacketing extend beyond the galvanized steel shield for neatly sealed joint with the adjoining insulation. Units are suitable for use in any type of clamp as well as in band-type hangers and on flat surfaces. **PP-R Pro-Shields meet the MSS standard for a Type 40 shield per MSS SP-58, Paragraph 7.63 – 7.66. PP-R Pro-Shields meet ASTM Standards Flame Spread-5-, Smoked Developed -5-.**

## Applications

- For indoor use on clamping support systems, flat surfaces, clevis or other band-type hangers (see WeatherShield Upgrade submittal for outdoor use).
- Hanger spans per MSS SP-58 Table A3.
- Available for pipe 20mm through 450mm with insulation thicknesses 1", 1-1/2" and 2".

## Materials / Construction

- Minimum 100 PSI Calcium silicate meeting ASTM C-533 Type 1, C-795, E-84, E-84, Thermal Conductivity ('k') .40 @ 75° F. mean.
- Adhesive complying with NFPA 90-A, ASTM E-84.
- G-90 Galvanized steel shield, small check per ASTM A-653 (replaces A-527).
- Factory applied jacketing meeting ASTM E 96A (maximum 0.02 perm), ASTM D-774, D-828 and E-84.
- All units and components are asbestos free and 100% made and assembled in the U.S.A.

## DIMENSIONS

PIPE SIZE	20 mm to 50 mm	63 mm to 125 mm	160 mm	200 mm to 450 mm
Insulation Length	6"	6"	9"	Call Plant
	150 mm	150 mm	230 mm	
Shield Length	4"	4"	6"	Call Plant
	100 mm	100 mm	150 mm	
Shield Gauge	22 ga.	20 ga.	16 ga.	Call Plant
	0.9 mm	1.0 mm	1.6 mm	
Compressive Strength	100 PSI	100 PSI	100 PSI	Call Plant

# WeatherShield Upgrade

## Protection System For Outdoor Applications



### Description / Features

WeatherShield modifications are appropriate for hostile environment or outdoor applications. For calcium silicate products we utilize Johns Manville T-1200 water resistant calcium silicate formulated specifically to shed water. The Standard WeatherShield is constructed with the Ventureclad Smooth aluminum jacketing material laminated between the steel protection shield and the insulation material. WeatherShield modifications may be specified for Pro-Shield, MaxSpan or MaxSpan R.H. designs. WeatherShields *must be installed as 360° units* to maintain their integrity and weather resistance.

### Construction / Installation Procedure

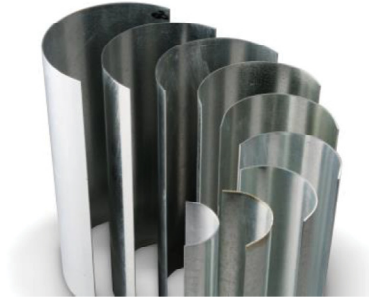
On large units, the bottom shield's weather barrier covers approximately 240° of the unit's circumference. The flaps overlap the top vapor barrier and are then attached with two strips of self-sealing tape, sealing it to the lower half of the unit. If a top metal shield is required, it can be slid into place completing the unit. Insulation and jacketing extend beyond the steel protection shield for a neat, weather-tight connection with the adjoining insulation.

**Standard weather barrier layer is smooth surface Ventureclad aluminum jacketing.**

### Pricing Policy

All Weather Shield upgrades will be quoted on a per job basis to a list of materials.

# Insulation Protection Shields (Without High Compressive Strength Inserts)



## Description / Features

All insulation systems require steel shields either with or without high-density inserts to be installed at each point pipes are to be supported. Shield lengths and gauges may vary widely between specifications. For this reason, Value Engineered Products provides a variety of shield lengths and gauges to meet the industry's varying requirements. All shields are precision stamped or rolled to meet ASTM C-585 dimensional standards and match the pipe insulations' outside diameters.

## Applications

Galvanized or stainless-steel shields without high density inserts may be allowed on small-bore pipe, two inches in diameter or smaller. Steel shields alone may be permitted on larger diameter pipe, providing the length of the shield is long enough to prevent the insulation from showing signs of compression from the weight of the pipe plus the weight of the media being transported and any valves or fittings which add to the pipe load.

## Materials / Construction

- 100% American made steel.
- G-90 Galvanized steel shield, small check per ASTM A-653 (replaces A-527).
- Precision pressed or rolled to ASTM C-585 dimensional standards.
- Available in full box quantities 12" long, 18ga. ID 2.0 through 14.0.
- Available in full box quantities 12" long, 22ga. ID 2.0 through 14.0.
- Available to MSS SP-58 Table A3 dimensions.

## Manufacturers Standardization Society (MSS) Type 40 Shields Without High Compressive Strength Inserts

The MSS SP-58 list the following shield lengths and steel gauges for use with insulation having a compressive strength of 15 PSI and when used in clevis hangers and pipe spans with a maximum of 10 feet.

PIPE SIZE	1/2" to 3"	4"	5" & 6"	8" to 14"	16" to 24"
Shield Length	12"	12"	18"	24"	24"
Steel Gauge	18 ga. (.048")	16 ga. (.060")	16 ga. (.060")	14 ga. (.075")	12 ga. (.105")

All MSS references and quotes in this catalogue are extracted from MSS SP-58 (2009) with permission of the publisher, The Manufacturers Standardization Society.

## PROTECTION SHIELD ORDERING GUIDE

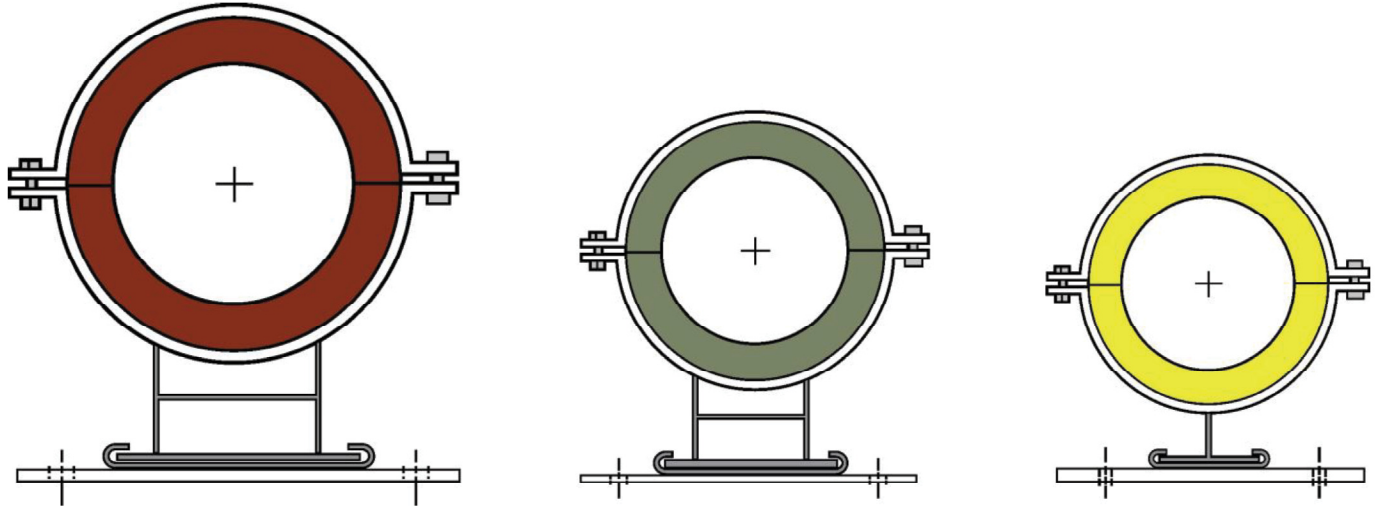
### Sizing Guide To Select '180° Metal Only' Insulation Protection Shields (For Use *Without* High Density Inserts)

Iron Pipe	Insulation Thickness			
	X 1/2"	X 1"	X 1-1/2"	X 2"
1/2	2.0	3.0	4.0	5.0
3/4	2.5	3.0	4.0	5.0
1	2.5	3.5	4.5	5.5
1-1/4	3.0	3.5	5.0	5.5
1-1/2	3.0	4.0	5.0	6.5
2	3.5	4.5	5.5	6.5
2-1/2	4.0	5.0	6.5	7.5
3	4.5	5.5	6.5	7.5
4	5.5	6.5	7.5	8.5
5	6.5	7.5	8.5	9.5
6	7.5	8.5	9.5	11.0
8	--	11.0	12.0	13.0
10	--	13.0	14.0	15.0
12	--	15.0	16.0	17.0
14	--	16.0	17.0	18.0

Copper Tube	Insulation Thickness			
	X 1/2"	X 1"	X 1-1/2"	X 2"
5/8	2.0	3.0	3.5	4.5
7/8	2.0	3.0	4.0	5.0
1-1/8	2.5	3.0	4.0	5.0
1-3/8	2.5	3.5	4.5	5.5
1-5/8	3.0	3.5	5.0	5.5
2-1/8	3.5	4.0	5.0	6.5
2-5/8	4.0	4.5	5.5	6.5
3-1/8	4.5	5.0	6.5	7.5
4-1/8	5.5	6.5	7.5	8.5
6-1/8	7.5	8.5	9.5	11.0

NOTE: To Order: Determine Insulation Outside Diameter X Length X Gauge - i.e. 4.5" (Insulation OD, From Chart Above) X 12" (Specified Overall Length) X 18 Gauge (Specified Metal Thickness).

# PG Series Insulated Pipe Guides



## Description / Features

The Value Engineered Products line of insulated pipe guides is engineered to provide a superior method for pipe alignment and controlled travel. Insulation efficiency is achieved from the use of a unique and rugged Xonotlite insulation insert. This insert eliminates areas of heat loss or gain, impossible to control with direct attachment systems. The rugged nature and high compressive strength of this insert material allows the elimination of intermediary pipe supports resulting in fewer mechanical components to purchase and install. The 'PG' series of pipe guides incorporates a logical system of hardware design where pipe size and insulation thickness dictate the construction of the unit. PG Series insulated pipe guides are far superior to pipe rollers and may be seismic rated. The use of 'PS Series' pipe slides along with the 'PG Series' pipe guides assures that the critical 'bottom of pipe' (BOP) to 'top of steel' (TOS) dimension stays constant throughout the system.

**PG-Plus Series** insulated pipe guides allow additional axial travel up to nine inches. Units for severe loads and/or greater travel are available by design.

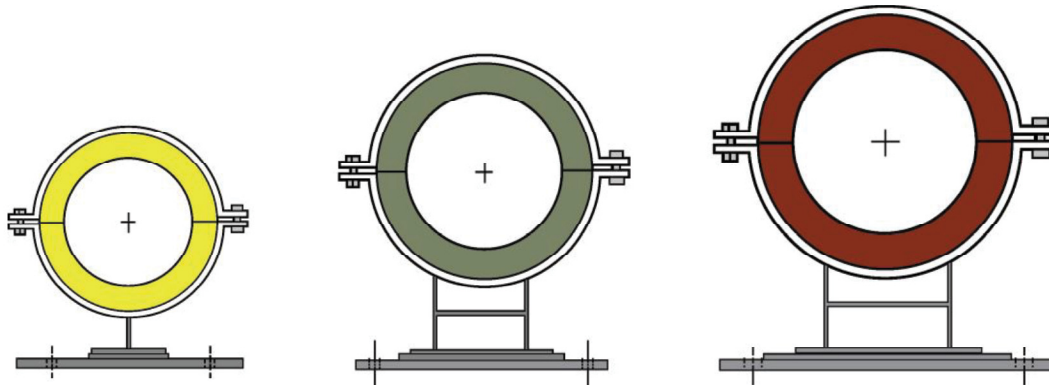
## Applications

- All systems operating from + 20° to +1700° F.
- Pipe sizes 2 inch to 20 inch - custom sizes by design.
- Hanger spans to MSS SP-69, Table 3 maximums.
- Insulation thickness 1" to 4" (see application charts).
- Axial travel +/- 2" (PG Series) or +/- 4 ½" (PG Plus Series)
- Lateral travel (all models) +/- 1/8".
- Eliminates pipe rollers and other direct attachment methods.

## Materials / Construction

- Powder coated finish meeting ASTM B-117 (1000 hour salt spray) ASTM D-3359, ASTM D-3363.
- Heat bonded PTFE low friction slide pad.
- 1700 Degree F. temperature limit Xonotlite calcium silicate, meeting ASTM C-656 Type II Grade 5, E-84 Flame Spread -0-, Smoke Developed -0-.
- Factory applied jacketing meeting ASTM E 96A (maximum 0.02 perm), D-774, D-828 and E-84, Flame Spread -5-, Smoke Developed -5-.
- Insulation 'k'-Factor of .54 @ 200 degrees F.
- 100% American-made materials and construction.

# PS Series: Insulated Pipe Slides



## Description / Features

Value Engineered Products' line of insulated pipe slides provides a superior method of supporting pipes while allowing unrestricted axial and lateral pipe movement. Use of a 360° insulation insert of Xonotlite calcium silicate eliminates areas of heat loss or gain allowed by direct attachment systems. The rugged nature and high compressive strength of this insert material supports pipes to their maximum allowable spans, eliminating the need for intermediary supports. The 'PS Series' of insulated pipe slides incorporates a logical system of hardware design and when used in conjunction with the 'PG Series' of insulated pipe guides, the critical 'bottom of pipe (BOP) to top of steel' (TOS) dimension stays constant throughout the system. This practical design facilitates fast installation saving valuable field labor. The 'virgin' PTFE slide pad provides an extremely low coefficient of friction and is available in a variety of sizes which can allow up to seven inches of lateral travel.

Specify **PS-Plus Series** pipe slides for systems requiring greater axial and/or lateral pipe movement.

## Applications

- All piping systems operating between +20° F. to +1700° F.
- Pipe sizes 1/2" to 20", larger pipe sizes by design.
- Hanger spans to MSS SP-69, Table 3 maximums.
- Insulation thickness 1" to 4" (see application charts).
- Axial travel +/- 2" (PG Series) or +/- 4 1/2" (PG Plus Series)
- Up to 7" of total lateral travel (PS-Plus Series).
- Base plates may be bolted or welded in place.

## Materials / Construction

- Powder coated finish meeting ASTM B-117, ASTM D-3359, and ASTM D-3363.
- Heat bonded PTFE low friction slide pad.
- 1700° F. temperature limit Xonotlite calcium silicate, meeting ASTM C-656 Type II Grade 5, E-84, Flame Spread -0-, Smoke Developed -0-.
- Factory applied jacketing meeting ASTM E 96A (maximum 0.02 perm) ASTM D-774, D-828 and E-84, Flame Spread -5- Smoke Developed -5-.
- Insulation 'k'-Factor of .54 @ 200 degrees F.
- 100% American-made materials and construction.

---

# PA Series: Insulated Pipe Anchors

Value Engineered Products recognizes the need to provide insulated pipe anchors to complete their line of insulated pipe hangers, slides and guides.

Many competitors promote anchors in their catalogues and provide tables which state allowable vertical and axial loads. These two ratings, however, only apply to a system where the anchor would be 'bracketed' by expansion joints, - i.e. expansion joint - anchor - expansion joint.

In all other 'real world' applications, there are **at least six forces** at play whose **combined** stresses must be taken into account. The net, cumulative effect of these combined forces typically far exceeds published 'allowable loads' for insulated anchors. Additional 'moments of force' caused by a variety of system operating factors can easily exceed the highest published load ratings. The type of expansion joints, loops, or bellows used in a system also vary widely in design and load characteristics.

Some mechanical specifications call for 'friction anchors'. This type of anchor should truly be called a '*fiction* anchor' as there is no possible way to calculate the ability of this type of unit to operate as an anchor. Each anchor will have a different amount of resistance to movement based on how well the section of insulation matches the pipe and the amount of force applied to the pipe by the clamp. The smallest amount of variation or wear to the insulation insert or deviation in clamping force will change the anticipated (or required) resistance to pipe movement.

For these reasons, Value Engineered Products requires specific temperature ranges, pipe spans, and system applications before making an anchor recommendation. Our 'Light Duty' PA (Pre-Insulated Anchor) is appropriate where 'friction anchors' are called for. Our Heavy Duty PA is an engineered unit and can only be quoted once the required system parameters are provided.

In all cases VEP Pre-Insulated Pipe Anchors require field welding to the pipe. For this reason, true pipe anchors for copper tube cannot be provided.

## DATA

### Insulation Inserts:

- Xonotlite calcium silicate - full length.
- Compressive strength - 900 PSI or 1600 PSI (depending on system design).
- Temperature limit to 1800° F.
- Flexural strength - 550 PSI or 800 PSI (depending on system design).
- Meets ASTM C-656 Type II, Minimum Grade 6 E-84, Flame Spread -0-, Smoke Developed -0-.

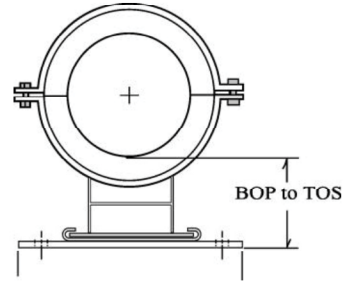
### Anchor Hardware:

- Steel meeting ASTM A-36.
- Powder coated per ASTM B-117 (1000 hour salt spray), ASTM D-3363 (pencil hardness 'H'), and ASTM D-3359 (adhesion '5B').
- Fasteners are plated - Grade 2, Industrial.



# INSULATED GUIDE AND SLIDE SELECTION CHART

- ◆ Shaded Areas Indicate Recommended Applications.
- ◆ 'Bottom of Pipe' to 'Top of Steel' (BOP-TOS).
- ◆ PG and PS Units Allow +/- 2" of Axial Travel.
- ◆ PG Units Limit Lateral Travel to 1/8".
- ◆ Specify 'PLUS' for +/- 4-1/2" of Axial Travel.



PG-1 and PS-1 BOP to TOS

Insulation Thickness	PIPE SIZE							
	1/2	3/4	1	1-1/4	1-1/2	2	2-1/2	3
1"	4"	4"	4"	4"	4"	4"	4"	4"
1-1/2"	4"	4"	4"	4"	4"	4"		
2"	4"	4"	4"	4"				
2-1/2"								
3"								
3-1/2"								
4"								
<b>ALLOWABLE LOAD (Vertical &amp; Lateral)</b>	<b>115</b>	<b>145</b>	<b>185</b>	<b>235</b>	<b>265</b>	<b>355</b>	<b>405</b>	<b>495</b>

PG-2 and PS-2 BOP to TOS

Insulation Thickness	PIPE SIZE						
	2	2-1/2	3	4	5	6	8
1"				4"	4"	4"	4"
1-1/2"		4"	4"	4"	4"	4"	4"
2"	4"	4"	4"	4"	4"	4"	
2-1/2"	4"	4"	4"	4"	4"	4"	
3"	6"	6"	6"	6"	6"		
3-1/2"	6"	6"	6"	6"			
4"	6"	6"	6"				
<b>ALLOWABLE LOAD (Vertical &amp; Lateral)</b>	<b>670</b>	<b>810</b>	<b>990</b>	<b>1270</b>	<b>1570</b>	<b>1870</b>	<b>2430</b>

PG-3 and PS-3 BOP to TOS

Insulation Thickness	PIPE SIZE							
	4	5	6	8	10	12	14	16
1"					4"	4"	4"	4"
1-1/2"					4"	4"	4"	4"
2"				4"	4"	4"	4"	4"
2-1/2"				6"	6"	6"	6"	
3"			6"	6"	6"	6"	6"	
3-1/2"		6"	6"	6"	6"	6"		
4"	6"	6"	6"	6"	6"			
<b>ALLOWABLE LOAD (Vertical &amp; Lateral)</b>	<b>1690</b>	<b>2100</b>	<b>2500</b>	<b>3250</b>	<b>4050</b>	<b>4800</b>	<b>5300</b>	<b>6100</b>

# Pipe Dimensions/MSS Allowable Spans Application Information

## Pro-Shield/ Quik-Shield

Spans Are Based On MSS SP-58 Table A3, Type 40 Shields

Nominal Pipe Size	Span		Anticipated Load* (Pounds)	Maximum Allowable Loads		
	Feet	Meters		Clevis	Trapeze	Roller
2	10	3.0	51	160	80	70
4	10	3.0	163	380	170	165
6	10	3.0	315	605	330	N/R
8	10	3.0	502	800	510	N/R
10	10	3.0	747	1160	830	N/R
12	10	3.0	1021	1400	1200	N/R
14	10	3.0	1222	1800	1250	N/R
16	10	3.0	1595	2600	N/R	N/R
18	10	3.0	2018	3300	N/R	N/R
20	10	3.0	2438	4000	N/R	N/R

### Allowable Loads and Hanger Spans for Calcium Silicate Based Supports

Maximum allowable loads include a minimum 3.5:1 safety factor.  
 Spans may be increased *only* when installed in band-type hangers.

## MaxSpan / MaxSpan R.H.

Spans Are Based On MSS SP-58 Table 4, Water Service

Nominal Pipe Size	Span		Anticipated Load* (Pounds)	Maximum Allowable Loads		
	Feet	Meters		Clevis	Flat Surface	Roller
4	14	4.3	228	405	405	405
6	17	5.2	535	1015	1070	1015
8	19	5.8	955	1555	1625	1555
10	22	6.1	1644	2450	2575	2450
12	23	7.2	2349	3480	3550	3480
14	25	7.6	3050	4770	4820	4770
16	27	8.3	4307	8050	8250	8050
18	28	8.5	5651	9025	9505	9025
20	30	9.1	7315	9550	10550	9550

'MaxSpan' units may be used to MSS Table 3 maximum hanger spans *only* when installed in band- or clamping-type (i.e. 'two-bolt') hangers. **All flat surface and roller ratings are for MaxSpan R.H. units.**

\*Anticipated load is the weight (in pounds) of a water filled Schedule 40 pipe for the indicated span. When using the 'Maximum Allowable Loads' to determine hanger spacing, the actual load must include pipe weight, weight of transported media, valves or fittings or other items which may affect the total weight of that span of pipe.

N/R = Not Recommended

## HANGER SIZING GUIDE

### Minimum Hanger Inside Hanger Diameters (In Inches) To Fit Standard Insulated Pipe Supports

Iron Pipe	Insulation Thickness			
	X 1/2"	X 1"	X 1-1/2"	X 2"
1/2	2.000	<b>3.000</b>	<b>4.125</b>	<b>5.125</b>
3/4	2.250	<b>3.000</b>	<b>4.125</b>	<b>5.125</b>
1	2.500	<b>3.625</b>	4.625	<b>5.625</b>
1-1/4	3.000	<b>3.625</b>	<b>5.125</b>	<b>5.625</b>
1-1/2	3.155	4.125	<b>5.125</b>	<b>6.750</b>
2	3.625	4.625	5.625	<b>6.750</b>
2-1/2	4.125	5.125	<b>6.750</b>	<b>7.750</b>
3	4.625	5.625	<b>6.750</b>	<b>7.750</b>
4	5.625	6.750	7.750	8.750
5	6.750	7.750	8.750	9.750
6	7.750	8.750	9.750	10.875
8	9.875	10.875	11.875	12.875
10	12.000	12.875	14.250	15.250
12	14.000	15.250	16.250	17.250
14	15.125	16.375	17.375	18.375

Copper Tube	Insulation Thickness			
	X 1/2"	X 1"	X 1-1/2"	X 2"
5/8	<b>2.000</b>	<b>3.000</b>	3.500	4.625
7/8	<b>2.000</b>	<b>3.000</b>	<b>4.125</b>	<b>5.125</b>
1-1/8	2.250	<b>3.000</b>	<b>4.125</b>	<b>5.125</b>
1-3/8	2.500	<b>3.625</b>	4.625	<b>5.625</b>
1-5/8	3.000	<b>3.625</b>	<b>5.125</b>	<b>5.625</b>
2-1/8	3.625	4.125	<b>5.125</b>	6.750
2-5/8	4.125	4.625	5.625	6.750
3-1/8	4.625	5.125	6.750	7.750
4-1/8	5.625	6.750	7.750	8.750
6-1/8	7.750	8.750	9.750	10.875

**NOTE:** Hanger inside diameters must be large enough to accommodate the insulation wall thickness and the steel protection shield thickness. **Bold Type** indicates insulation sizes where outside diameters **do not change** as the pipe size changes.

Units comply with ASTM C-585 dimensional standards, subject to normal manufacturing tolerances.

**Manufacturers Standardization Society (MSS)  
Recommended Spans  
Schedule 40 Steel Pipe**

Nominal Pipe Size	Actual O.D.	Weight Per Ft. Empty (lb.)	Weight Per Ft. Fully Flooded	Spans Per MSS SP-58 Table 4	Spans Per MSS SP-58 Table A3
1/2	.840	.85	.98	7	7
3/4	1.050	1.13	1.36	7	7
1	1.315	1.68	2.05	7	7
1-1/4	1.660	2.27	2.92	7	7
1-1/2	1.900	2.72	3.60	9	9
2	2.650	3.65	5.11	10	10
2-1/2	2.875	5.79	7.87	11	10
3	3.500	7.58	10.8	12	10
4	4.500	10.8	16.3	14	10
5	5.563	14.6	22.3	16	10
6	6.625	18.9	31.5	17	10
8	8.625	28.6	50.3	19	10
10	10.75	40.5	74.7	22	10
12	12.75	53.5	102.2	23	10
14	14.00	63.4	122.2	25	10
16	16.00	82.8	159.5	27	10
18	18.00	104.7	201.8	28	10
20	20.00	123.1	243.9	30	10
24	24.00	171.3	345.9	32	10

**Copper Tube (Type-K)**

Nominal Tube Size	Actual O.D.	Weight Per Ft. Empty (lb.)	Weight Per Ft. Fully Flooded	Spans Per MSS SP-58 Table 4	Spans Per MSS SP-58 Table A3
1/2	.625	.34	.44	5	5
3/4	.875	.64	.87	5	5
1	1.125	.84	1.22	6	6
1-1/4	1.375	1.04	1.61	7	7
1-1/2	1.625	1.36	2.16	8	8
2	2.125	2.06	3.44	8	8
2-1/2	2.625	2.93	5.06	9	9
3	3.125	4.00	7.03	10	10
4	4.125	6.51	11.8	12	10

All MSS references and quotes in this catalogue are extracted from ANSI / MSS SP-58 (2009) with permission of the publisher, The Manufacturers Standardization Society.

## Suggested Specification Guidelines for Insulated Pipe Supports

Division 15:

Section: Hangers and Supports

- 1) Thermal hanger shields shall be used on all horizontal insulated pipe systems at each point of support. Manufactured units shall comply with MSS SP-58 standards and be tested per MSS guidelines. Each assembly shall fit the various pipe diameters and match the outside diameter of the adjoining pipe insulation.
- 2) Thermal hanger inserts shall be calcium silicate with a minimum compressive strength of 100 PSI. The insert shall be jacketed with industry standard, non-reactive, all service meeting ASTM E 96A (maximum 0.02 perm). 'Water-resistant coatings', which do not provide a sealable vapor barrier, shall not be allowed. A mastic of a contrasting color may be used (i.e. Childers CP-30 or MEI 55-10 or equal), providing the longitudinal seam is field-sealed during installation.
- 3) A rolled shield of G-90 galvanized steel shall be an integral part of the unit and shall be of a gauge and length appropriate for the compressive strength of the insert material and type of hanger.
- 4) Insulation and jacket shall extend a minimum of one inch (1") beyond each end of the galvanized steel shield to provide a complete, neat and vapor-tight seal with the adjoining insulation.
- 5) Hanger type and span between hangers shall govern the type of thermal hanger shield used and shall be as follows:

**Band-type hangers to 10 foot maximums** (clevis, teardrop) – Value Engineered Products' (VEP) Pro-Shield, Quik-Shield or equal

**Roller-type hangers, regardless of hanger spans** - VEP's MaxSpan R.H. or equal.

**Band-type hangers with spans greater than 10 feet**- VEP's MaxSpan units or equal.

**Trapeze style and other clamping-type supports to 10-foot maximums** – VEP's Pro-Shield or equal.

**Trapeze style and other clamping-type supports exceeding 10 feet\*** - VEP's MaxSpan units or equal.

- 6) Product must be tested to ASTM E84
- 7) Safety Ratio shall be a minimum of 3.5:1 - (support capabilities to anticipated pipe load).
- 8) Independent test results documenting the compliance of 'or equal' products shall be available upon request of the Architect, Engineer or Owner.

## Manufacturers Standardization Society (MSS) Statement

Since 2009, the MSS SP-58 incorporates and supersedes ANSI/MSS SP-69-2003, MSS SP-77-1995 (R 2000), MSS SP-89-2003, and MSS SP-90-2000. Engineering specifications may still reference the out of date material and cause confusion concerning the length requirements for Thermal Hanger Shield Inserts. The Information in paragraph 7.6 of the current MSS SP-58 is gathered from two source documents as follows:

MSS SP-58 and SP-69 were widely referenced throughout the industry for insulation protection shields. Both the SP-58 and SP-69 documents referenced Type 40 shields. Each document had its own 'Table 5' (often referenced in individual specifications). Table 3 from SP-69 might also be included in any given specification and warranted consideration. For specifications referencing these superseded documents, it is essential that the user be aware of the scope of each publication and its purpose.

***MSS SP-69 - Table 3 - Specified the maximum pipe span allowed when hangers are directly attached to the pipe.***

***MSS SP-69 - Table 5 - Specified maximum allowable pipe spans as well as protection shield lengths and gauges for insulated systems installed **without** the use of manufactured thermal hanger shields.***

***MSS SP-58 - Table 5 and Paragraph 9.2 provided information for insulated pipe systems utilizing protection shields either **with** or **without** high-density inserts.***

IN GENERAL, THE MSS SP-69 ACTED AS A GUIDE FOR INSTALLING THE COMPONENTS OF A MECHANICAL SYSTEM. IT DIRECTED THE READER (PARAGRAPH 5.1 PIPE HANGERS AND SUPPORTS - SELECTION AND APPLICATION) TO REFER TO THE MSS SP-58 FOR INFORMATION RELATED TO PIPE SUPPORTS:

*"The materials of all pipe hanging and supporting elements shall be in accordance with the MSS SP-58."*

The MSS SP-58 was a reference for 'material, design and manufacture' of the individual components of the mechanical system. SP-58 paragraph 9.2 specifically addressed the use of Type 40 shields both *with* and *without* the use of high-density insulation materials. Paragraph 9.2.2 superseded the shield lengths and gauges shown in *this* document's Table 5:

*"When pipe covering protection shields are used with high compressive strength inserts, the shield length and thickness shall be appropriate for the compressive strength of the insert material. The insert shall be at least as long as the shield and where a vapor barrier is required, the vapor barrier shall extend two inches beyond the shield and overlap the outside circumference by two inches."*

All Value Engineered Products units are made with high-density insulation with compressive strengths from 24 PSI up to 3000 PSI. Additionally, every model includes the vapor barrier required to meet MSS-based specifications. Therefore, all 360° Value Engineered Products exceed the requirements of a Type 40 shield. The VEP Quik-Shield provides the basic components necessary for field fabrication of a Type 40 shield and may meet MSS-based specifications.

# TERMS AND CONDITIONS OF SALE, WARRANTY

Value Engineered Products guarantees that its products are free from manufacturing defects or damage when released from our plant. Value Engineered Products, further warrants our workmanship and guarantees compliance with published ASTM dimensional standards. Should a claim for defective materials arise, it must be brought to our attention, in writing, within 30 days after purchase. Upon inspection by Value Engineered Products, new product shall be furnished for replacement of defective units. Value Engineered Products shall not be liable for incorrect selection or improper installation of our products. All dimensions, ratings and designs have been carefully determined, however, they are not guaranteed.

Claims for shortages in shipments must be made within 10 days from shipment. Deductions on invoice amounts are not allowed without prior written approval.

Permission to return standard stocked merchandise must be obtained in writing. Credit will be issued subject to the following:

1. Return freight charges must be prepaid.
2. Proportional outbound freight will be deducted on freight prepaid orders.
3. All material must be in original condition and in full box quantities on arrival at our plant.
4. A 35% restocking fee will be applied.
5. Special orders and noted sizes or project specific designs are not returnable. Special orders are defined as any product not complying with our standard published data sheet and listed on our price pages.
6. Must be within 90 days of sales confirmation order

Value Engineered Products reserves the right to refuse credit on any returns. *Credits for returned goods shall be applied to future sales.*

Value Engineered Products has designed a line of thermal hanger shields requiring a minimum of models and styles in order to make ordering and installation easy. It is the responsibility of the customer to order correct sizes and quantities, to know whether the pipe is steel, cast iron, ductile iron, stainless steel tube or copper and to determine the correct insulation thickness. Request for returns of incorrectly ordered material may be refused.

**Updated information is always available on our website  
[www.valueng.com](http://www.valueng.com)**



756 S. Jason Street, Suite 17 • Denver, Colorado 80223  
Phone (303) 715-9990 • Fax (303) 715-9991

[www.valueng.com](http://www.valueng.com)