

RETROSPECT® COLLECTION CONSOLE TABLE

- Classically styled metal console table
- Uses Retrospect Collection pedestal top with faucet holes on 8" (203mm) centers
- Console table legs feature classic styling with integral front and side towel bars and a lower clear tempered-glass shelf for storage.
- Legs available in Chrome or Satin finish

Separate Components:

- 0282.008** Console/Pedestal top 8" (203mm) centers
- 8711.000.002** Console table legs (Chrome)
- 8711.000.295** Console table legs (Satin)

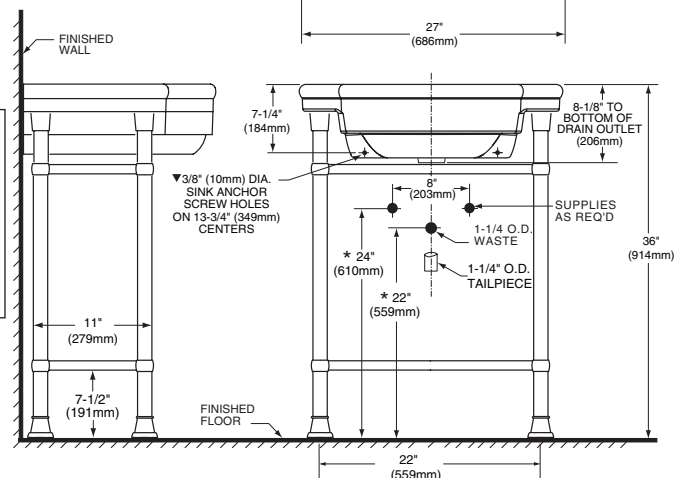
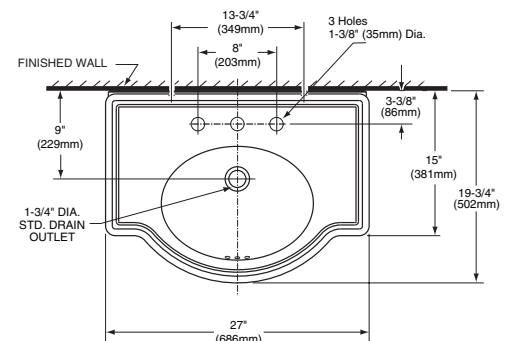
Nominal Dimensions with Sink:

27" x 19-3/4" x 36"
(686 x 502 x 914mm)

Compliance Certifications -

Meets or Exceeds the Following Specifications:

- ASME A112.19.9M for Non-Vitreous Ceramic Fixtures
- CAN/CSA B45 Series



To Be Specified:

- Color:
 - Pedestal Top: White only
 - Console Table Legs: 002 Chrome or 295 Satin

NOTES:

* DIMENSIONS SHOWN FOR LOCATION OF SUPPLIES AND "P" TRAP ARE SUGGESTED.

▼ ANCHOR SCREWS FOR LAVATORY AND PEDESTAL NOT INCLUDED.
- FITTINGS NOT INCLUDED AND MUST BE ORDERED SEPARATELY.
PROVIDE SUITABLE REINFORCEMENT FOR ALL WALL SUPPORTS.

IMPORTANT: Dimensions of fixtures are nominal and may vary within the range of tolerances established by ANSI Standard A112.19.9M. These measurements are subject to change or cancellation. No responsibility is assumed for use of superseded or voided pages.