

Mason™ Technical Specification

Paper Holder

YB8099

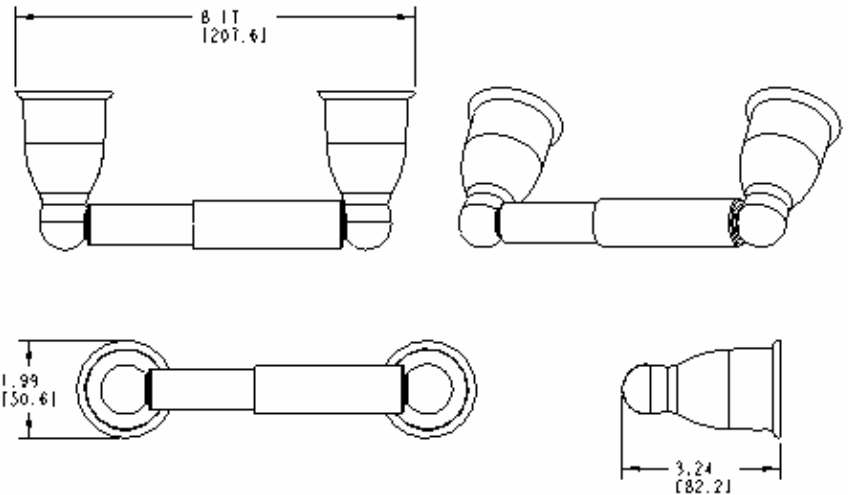
Stock Numbers:

- q **YB8000CH – Mounting Posts**
Chrome Finish
- q **YB8099CH – Paper Roller**
Chrome Finish
- q **YB8000CP – Mounting Posts**
Chrome / Polished Brass Finish
For CP, use YB8099CH
- q **YB8000PB – Mounting Posts**
Polished Brass Finish
- q **YB8099PB – Paper Roller**
Polished Brass Finish
- q **YB8000BC – Mounting Posts**
Brushed Chrome Finish
- q **YB8099BC – Paper Roller**
Brushed Chrome Finish
- q **YB8000SN – Mounting Posts**
Satin Nickel Finish
- q **YB8099SN – Paper Roller**
Satin Nickel Finish

Materials:

Paper Holder posts are constructed of zinc. Roller is aluminum.

Dimensions:



Installation Instructions:

1. Position Pro-Fit Installation Mounting Template on wall in desired location.
2. Using level align the template to the wall.
3. Using 1/4" drill bit, drill one pilot hole for each post.
4. Position mounting post to wall by inserting wall anchor into pilot hole and pressing firmly.
5. Make sure that locking tab on mounting post is facing down (6 o'clock).
6. Tighten wall anchor screw while holding mounting post firmly in place.
7. Attach post by pressing firmly to mounting post until it clicks. (The square opening at the base of the post must be facing down to match-up with locking tab.)
8. Place spring roller into each post.

Cleaning Instructions:

To preserve the fine finish of this product, clean only with a soft damp cloth. Dry well. Do not use commercial or abrasive cleaners.

Stock Number: _____ **Paper Holder**
By Creative Specialties



25300 AL MOEN DRIVE • NORTH OLMS TED, OH 44070
CORPORATE HEADQUARTERS: (800) 321-8809 • FAX: (800) 848-6636
INTERNATIONAL: (440) 962-2000 • FAX: (440) 962-2726
CUSTOMER SERVICE (USA): 800-882-0116 • FAX: (888) 379-2720

©Copyright Creative Specialties International 2004

Literature #BA1228