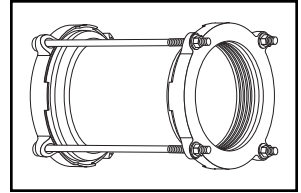
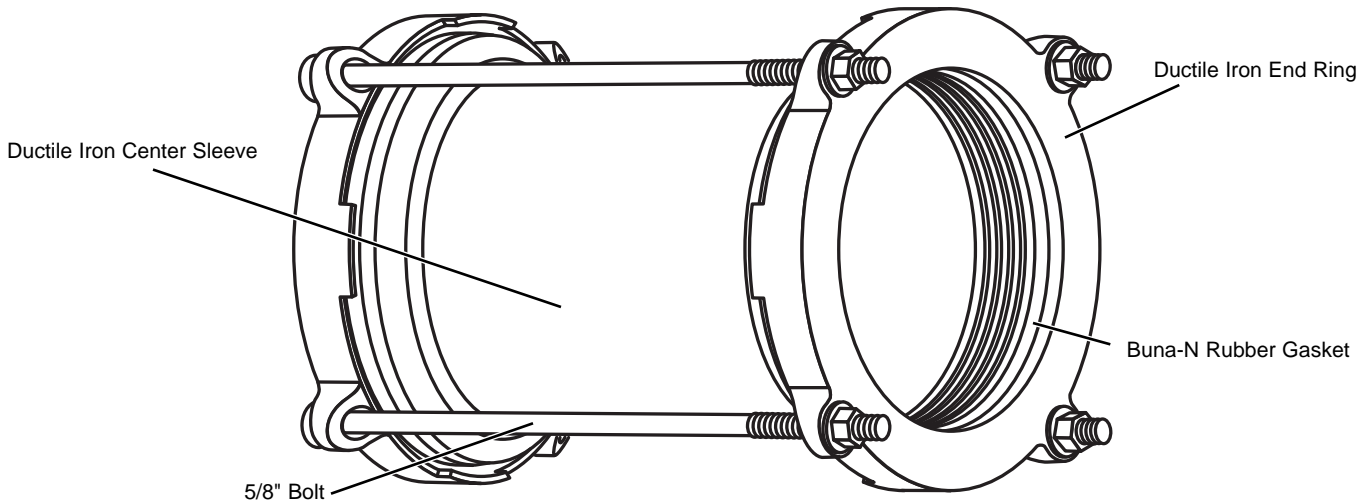


SUBMITTAL INFORMATION

Ductile Iron Wide Range Transition Coupling - (FC2W-xx-L12-SH style)



3" - 12" STYLE FC2W-L12 COUPLINGS FOR JOINING PIPES WITH DIFFERENT O.D.'S



| NOMINAL PIPE SIZE | RANGE (INCHES) | RANGE (MM) | BOLT DIAMETER | NUMBER OF BOLTS | SLEEVE LENGTH | APPROX. WT. LBS | PART NUMBER | ✓ SUBMITTED ITEM(S) |
|-------------------|----------------|----------------|---------------|-----------------|---------------|-----------------|----------------|---------------------|
| 3" | 2.50 - 4.29 | 63.5 - 109.0 | 5/8" | 3 | 12" | 36 | FC2W-3-L12-SH | |
| 4" | 3.96 - 5.60 | 100.6 - 142.2 | 5/8" | 4 | 12" | 45 | FC2W-4-L12-SH | |
| 6" | 6.23 - 7.60 | 158.2 - 193.0 | 5/8" | 4 | 12" | 56 | FC2W-6-L12-SH | |
| 8" | 8.40 - 9.75 | 213.3 - 247.6 | 5/8" | 4 | 12" | 69 | FC2W-8-L12-SH | |
| 10" | 10.75 - 12.12 | 273.0 - 307.8 | 5/8" | 6 | 12" | 90 | FC2W-10-L12-SH | |
| 12" | 12.75 - 14.38 | 323.8 - 365.25 | 5/8" | 6 | 12" | 109 | FC2W-12-L12-SH | |

Pipes smaller than the published range may be joined using the FC2W coupling at a reduced pressure rating. Contact Ford Meter Box for details.

FEATURES

- Center Sleeve: Ductile Iron per ASTM A536 (65-45-12)
- End Rings: Ductile Iron per ASTM A536 (65-45-12)
- Bolts and nuts: 304 stainless steel per ASTM A193 and A194
Bolts have an oval neck beneath the head, which rests within the end ring to prevent bolts from rotating while tightening
- Coating: Black, fusion bonded epoxy applied per AWWA C213
- Gasket: Buna-N rubber per ASTM D2000
- 350 psi rated working water pressure
- NSF 61 approved
- Complies with AWWA C219

The Ford Meter Box Company considers the information in this submittal form to be correct at the time of publication. Item and option availability, including specifications, are subject to change without notice. Please verify that your product information is current.



The Ford Meter Box Company, Inc.

P.O. Box 443, Wabash, Indiana U.S.A. 46992-0443

Phone: 260-563-3171 / Fax: 800-826-3487

Overseas Fax: 260-563-0167

www.fordmeterbox.com

01/19/15

Submitted By: