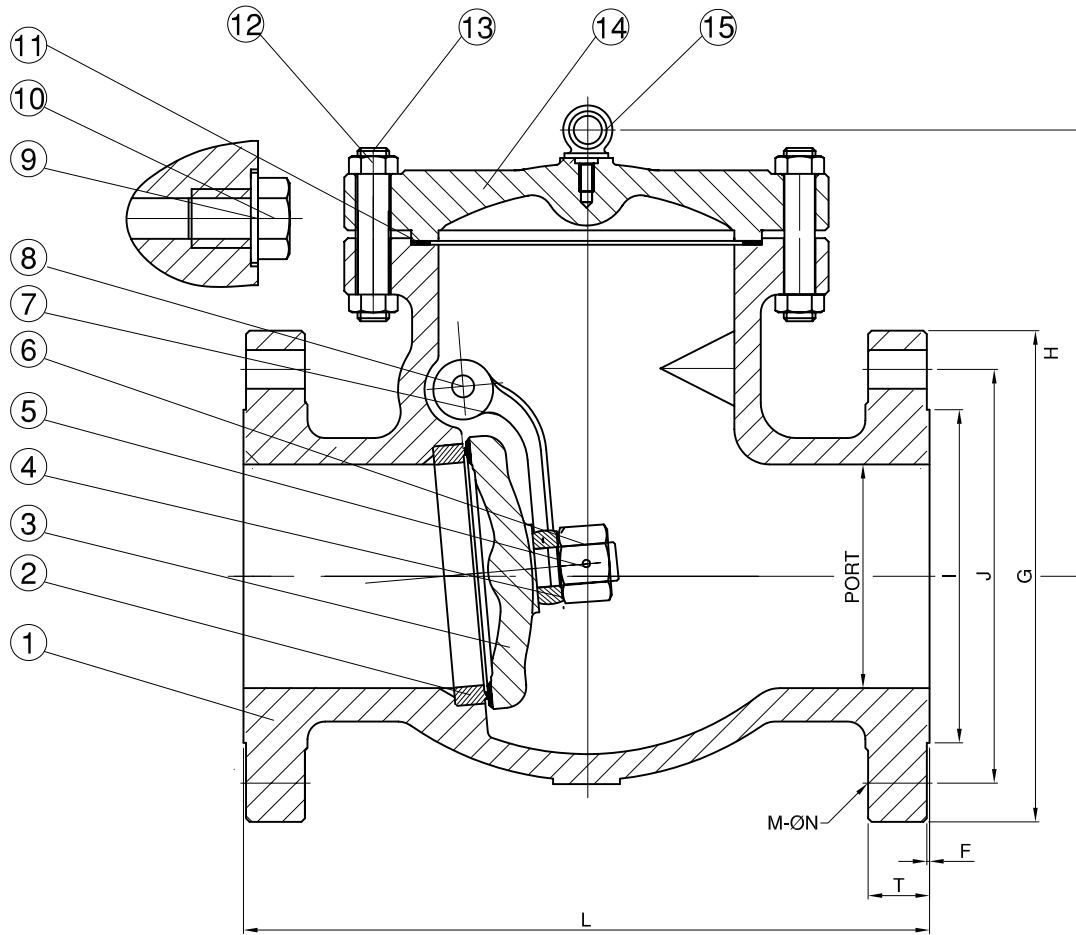


Fig No:

#571




MATERIAL LIST

ITEM	PART NAME	MATERIAL
1	Body	ASTM A216 GR.WCB
2	Seat Ring	ASTM A105+HF Faced
3	Disc	ASTM A216 GR.WCB+13 %Cr Faced
4	Disc Washer	CARBON STEEL
5	Pin	ASTM A276 Type 410
6	Disc Nut	CARBON STEEL
7	Hinge	ASTM A216 GR.WCB
8	Hinge Pin	ASTM A276 Type 410
9	Spring Washer	CARBON STEEL
10	Plug	CARBON STEEL
11	Gasket	Soft Iron+Graphite
12	Covr Bolt	ASTM A193 GR.B7
13	Cover Bolt Nut	ASTM A194 GR.2H
14	Cover	ASTM A216 GR.WCB
15	Eye Bolt	ASTM A181

DIMENSIONS

unit: inch

SIZE	PORT	L	H	G	J	I	T	F	M	ØN
14"	13.780	30.984	17.008	21.000	18.750	16.250	1.380	0.060	12	1.120
16"	15.748	34.016	19.016	23.500	21.250	18.500	1.440	0.060	16	1.120
18"	17.717	38.504	23.622	25.000	22.750	21.000	1.560	0.060	16	1.250
20"	19.685	38.504	25.984	27.500	25.000	23.000	1.690	0.060	20	1.250

	APPROVED BY.	CHECK BY.	DRAWN BY.	DRAWINGNO.	MATERIAL	UNIT	DESCRIPTION
	SIGN			#571-D		INCH	14"-24" CARBON STEEL FLANGED SWING CHECK VALVES ANSI CLASS 150
	DATE			REVISION	02 10/29/2004	SCALE	