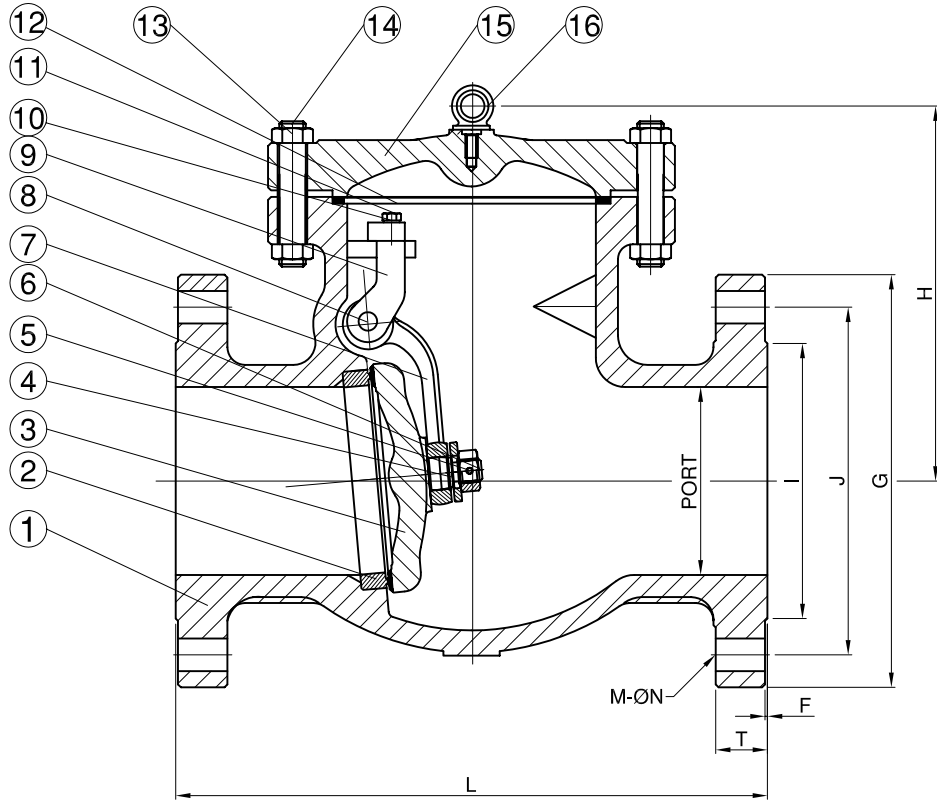


Fig No:

#571



MATERIAL LIST

ITEM	PART NAME	MATERIAL
1	Body	ASTM A216 GR.WCB
2	Seat Ring	ASTM A105+HF FACED
3	Disc	ASTM A216 GR.WCB+ 13 %Cr Faced
4	Disc Washer	CARBON STEEL
5	Disc Nut Pin	ASTM A276 Type 410
6	Disc Nut	CARBON STEEL
7	Hinge	ASTM A216 GR.WCB
8	Hinge Pin	ASTM A276 Type 410
9	Yoke	ASTM A216 GR.WCB
10	Washer	CARBON STEEL
11	Hex Bolt	CARBON STEEL
12	Gasket	SOFT IRON+Graphite
13	Covr Bolt	ASTM A193 GR.B7
14	Cover Bolt Nut	ASTM A194 GR.2H
15	Cover	ASTM A216 GR.WCB
16	Eye Bolt	ASTM A181

DIMENSIONS

unit: inch

SIZE	PORT	L	H	G	J	I	T	F	M	ØN
2"	1.969	7.992	6.496	6.000	4.750	3.620	0.750	0.060	4	0.750
2-1/2"	2.559	8.504	7.008	7.000	5.500	4.120	0.880	0.060	4	0.750
3"	3.150	9.488	7.323	7.500	6.000	5.000	0.940	0.060	4	0.750
4"	3.937	11.496	8.543	9.000	7.500	6.190	0.940	0.060	8	0.750
6"	5.906	15.984	10.472	11.000	9.500	8.500	1.000	0.060	8	0.880
8"	7.874	19.488	12.520	13.500	11.750	10.620	1.120	0.060	8	0.880
10"	9.843	24.488	14.488	16.000	14.250	12.750	1.190	0.060	12	1.000
12"	11.811	27.480	15.984	19.000	17.000	15.000	1.250	0.060	12	1.000



	APPROVED BY.	CHECK BY.	DRAWN BY.	DRAWINGNO.	MATERIAL	UNIT	DESCRIPTION
SIGN				#571-D		INCH	CARBON STEEL 2"~12" ANSI CLASS 150 FLANGED SWING CHECK VALVES
DATE				REVISION	SCALE	FREE	
				02 10/29/2004			