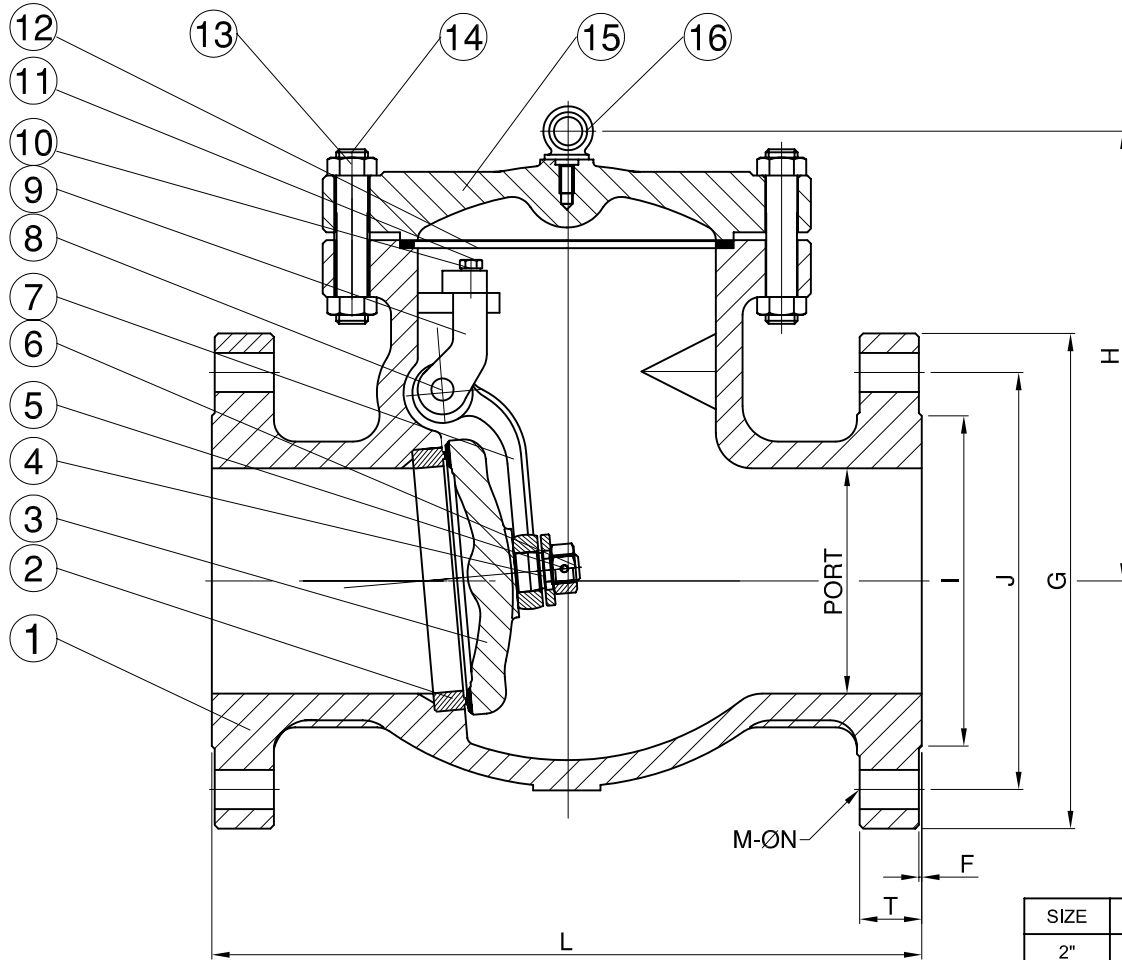


Fig No:

#572



MATERIAL LIST

ITEM	PART NAME	MATERIAL
1	Body	ASTM A216 GR.WCB
2	Seat Ring	ASTM A105+HF FACED
3	Disc	ASTM A216 GR.WCB%ØB Faced
4	Disc Washer	CARBON STEEL
5	Disc Nut Pin	ASTM A276 Type 410
6	Disc Nut	CARBON STEEL
7	Hinge	ASTM A216 GR.WCB
8	Hinge Pin	ASTM A276 Type 410
9	Yoke	ASTM A216 GR.WCB
10	Washer	CARBON STEEL
11	Hex Bolt	CARBON STEEL
12	Gasket	SOFT IRON+Graphite
13	Covr Bolt	ASTM A193 GR.B7
14	Cover Bolt Nut	ASTM A194 GR.2H
15	Cover	ASTM A216 GR.WCB
16	Eye Bolt	ASTM A181

DIMENSIONS

unit: inch

SIZE	PORT	L	H	G	J	I	T	F	M	ØN
2"	1.969	10.512	7.008	6.500	5.000	3.620	0.880	0.060	8	0.750
2-1/2"	2.559	11.496	7.520	7.500	5.880	4.120	1.000	0.060	8	0.880
3"	3.150	12.520	8.307	8.250	6.620	5.000	1.120	0.060	8	0.880
4"	3.937	14.016	9.685	10.000	7.880	6.190	1.250	0.060	8	0.880
6"	5.906	17.480	12.520	12.500	10.620	8.500	1.440	0.060	12	0.880
8"	7.874	20.984	14.016	15.000	13.000	10.620	1.620	0.060	12	1.000
10"	9.843	24.488	15.512	17.500	15.250	12.750	1.880	0.060	16	1.120
12"	11.811	27.992	18.976	20.500	17.250	15.000	2.000	0.060	16	1.250

	APPROVED BY.	CHECK BY.	DRAWN BY.	DRAWINGNO.	MATERIAL	UNIT	DESCRIPTION
SIGN				#572-D		INCH	2"~12" CARBON STEEL FLANGED SWING CHECK VALVES ANSI CLASS 300
	DATE			REVISION	02 10/29/2004	SCALE	

