

SPECIFICATIONS

FIGURE 562 CARBON STEEL VALVES



300# CARBON STEEL GLOBE VALVE

FEATURES

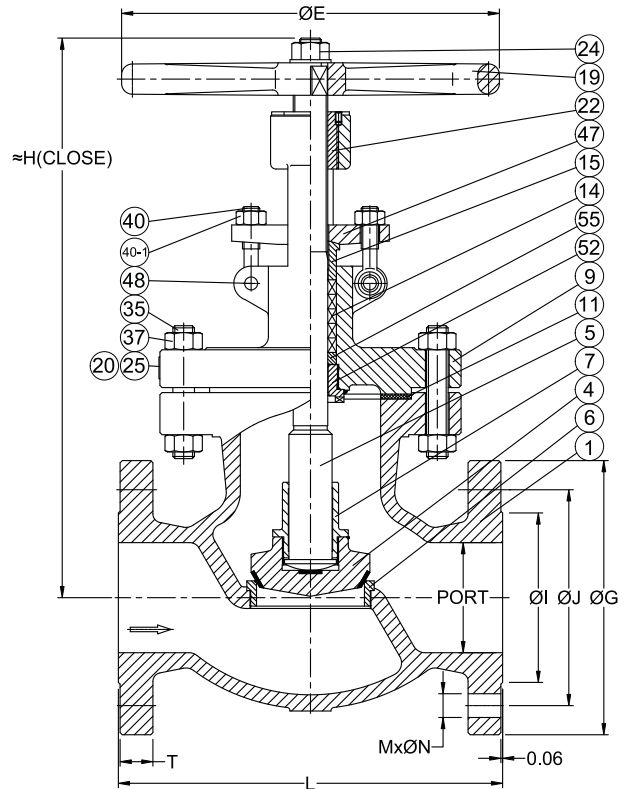
- Conical seat design
- Round bonnet with integral yoke
- Outside screw and yoke, rising stem design
- Seat face stellited, ground and lapped to a mirror finish, conical seat machined to 8 RMS
- Universal trim-13 Cr stem, wedge 13 Cr face and stellited seat API trim 8 suitable for applications up to 850°F (454°C)
- Body and bonnet joint accurately machined, full enclosed gasket
- Pressure testing according to API 598

PRODUCT SPECIFICATIONS

- Valve design according to BS 1873
- Shell wall Thickness according to BS 1873
- Pressure-temperature rating according to ASME/ANSI B16.34
- Material according to ASTM
- Face to Face according to ASME/ANSI B16.10
- Flanged dimension according to ASME/ANSI B16.5

MATERIALS: SIZES 2" – 4"

No.	Part Name	Material
1	BODY	ASTM A216 GR.WCB
4	DISC	ASTM A105N / A216 GR.WCB+13Cr
5	STEM	ASTM A182 GR F6a
6	SEAT RING	ASTM A105N+STL#6
7	DISC NUT	ASTM A276 TYPE 410
9	BONNET	ASTM A216 GR.WCB
11	GASKET	SPW SS304+GRAPHITE
14	STEM PACKING	GRAPHITE
15	GLAND	ASTM A276 TYPE 410
19	HANDWHEEL	DUCTILE IRON
20	RIVET	SS304
22	STEM NUT	ASTM A439 GR.D-2
24	HANDWHEEL NUT	ASTM A29 TYPE 1025
25	NAMEPLATE	SS304
35	BODY STUD	ASTM A193 GR.B7
37	BOLT NUT	ASTM A194 GR.2H
40	EYE BOLT	ASTM A193 GR.B7
40-1	EYE BOLT NUT	ASTM A194 GR.2H
47	GLAND FLANGE	ASTM A216 GR.WCB
48	PIN	ASTM A29 TYPE 1025
52	BACK SEAT	ASTM A276 TYPE 410
55	DISTANCE RING	ASTM A276 TYPE 410



DIMENSIONS

Item No.	Size	Port	L	H(CLOSE)	Ø1	ØJ	ØG	ØE	T	M	ØN
FNW562K	2"	2.01	10.50	12.60	3.62	5.00	6.50	7.87	0.81	8	3/4
FNW562L	2-1/2"	2.52	11.50	14.96	4.12	5.88	7.50	9.84	0.94	8	7/8
FNW562M	3"	2.99	12.50	14.37	5.00	6.62	8.25	9.84	1.06	8	7/8
FNW562P	4"	4.02	14.00	17.91	6.19	7.88	10.00	11.81	1.19	8	7/8

SPECIFICATIONS

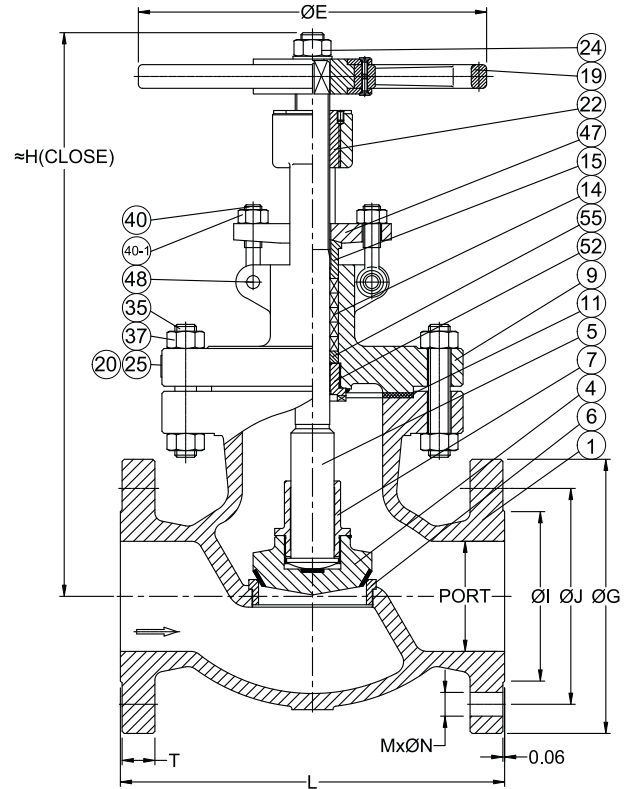
FIGURE 562
CARBON STEEL VALVES



300# CARBON STEEL GLOBE VALVE

MATERIALS: SIZE 6"

No.	Part Name	Material
1	BODY	ASTM A216 GR.WCB
4	DISC	ASTM A105N / A216 GR.WCB+13Cr
5	STEM	ASTM A182 GR F6a
6	SEAT RING	ASTM A105N+STL#6
7	DISC NUT	ASTM A276 TYPE 410
9	BONNET	ASTM A216 GR.WCB
11	GASKET	SPW SS304+GRAPHITE
14	STEM PACKING	GRAPHITE
15	GLAND	ASTM A276 TYPE 410
19	HANDWHEEL	DUCTILE IRON
20	RIVET	SS304
22	STEM NUT	ASTM A439 GR.D-2
24	HANDWHEEL NUT	ASTM A29 TYPE 1025
25	NAMEPLATE	SS304
35	BODY STUD	ASTM A193 GR.B7
37	BOLT NUT	ASTM A194 GR.2H
40	EYE BOLT	ASTM A193 GR.B7
40-1	EYE BOLT NUT	ASTM A194 GR.2H
47	GLAND FLANGE	ASTM A216 GR.WCB
48	PIN	ASTM A29 TYPE 1025
52	BACK SEAT	ASTM A276 TYPE 410
55	DISTANCE RING	ASTM A276 TYPE 410



DIMENSIONS

Item No.	Size	Port	L	H(CLOSE)	O1	OJ	OG	OE	T	M	ON
FNW562U	6"	5.98	17.50	21.85	8.50	10.62	12.50	15.75	1.38	12	7/8

SPECIFICATIONS

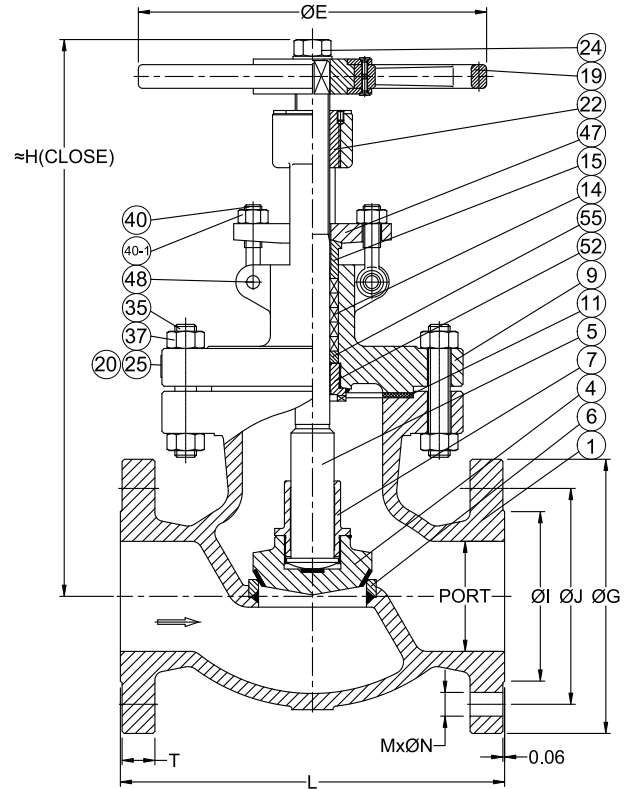
FIGURE 562
CARBON STEEL VALVES



300# CARBON STEEL GLOBE VALVE

MATERIALS: SIZE 8"

No.	Part Name	Material
1	BODY	ASTM A216 GR.WCB
4	DISC	ASTM A105N / A216 GR.WCB+13Cr
5	STEM	ASTM A182 GR F6a
6	SEAT RING	ASTM A105N+STL#6
7	DISC NUT	ASTM A276 TYPE 410
9	BONNET	ASTM A216 GR.WCB
11	GASKET	SPW SS304+GRAPHITE
14	STEM PACKING	GRAPHITE
15	GLAND	ASTM A276 TYPE 410
19	HANDWHEEL	DUCTILE IRON
20	RIVET	SS304
22	STEM NUT	ASTM A439 GR.D-2
24	HANDWHEEL NUT	ASTM A29 TYPE 1025
25	NAMEPLATE	SS304
35	BODY STUD	ASTM A193 GR.B7
37	BOLT NUT	ASTM A194 GR.2H
40	EYE BOLT	ASTM A193 GR.B7
40-1	EYE BOLT NUT	ASTM A194 GR.2H
47	GLAND FLANGE	ASTM A216 GR.WCB
48	PIN	ASTM A29 TYPE 1025
52	BACK SEAT	ASTM A276 TYPE 410
55	DISTANCE RING	ASTM A276 TYPE 410



DIMENSIONS

Item No.	Size	Port	L	H(CLOSE)	O1	OJ	OG	OE	T	M	ON
FNW562X	8"	7.99	22.00	25.20	10.62	13.00	15.00	17.72	1.56	12	1