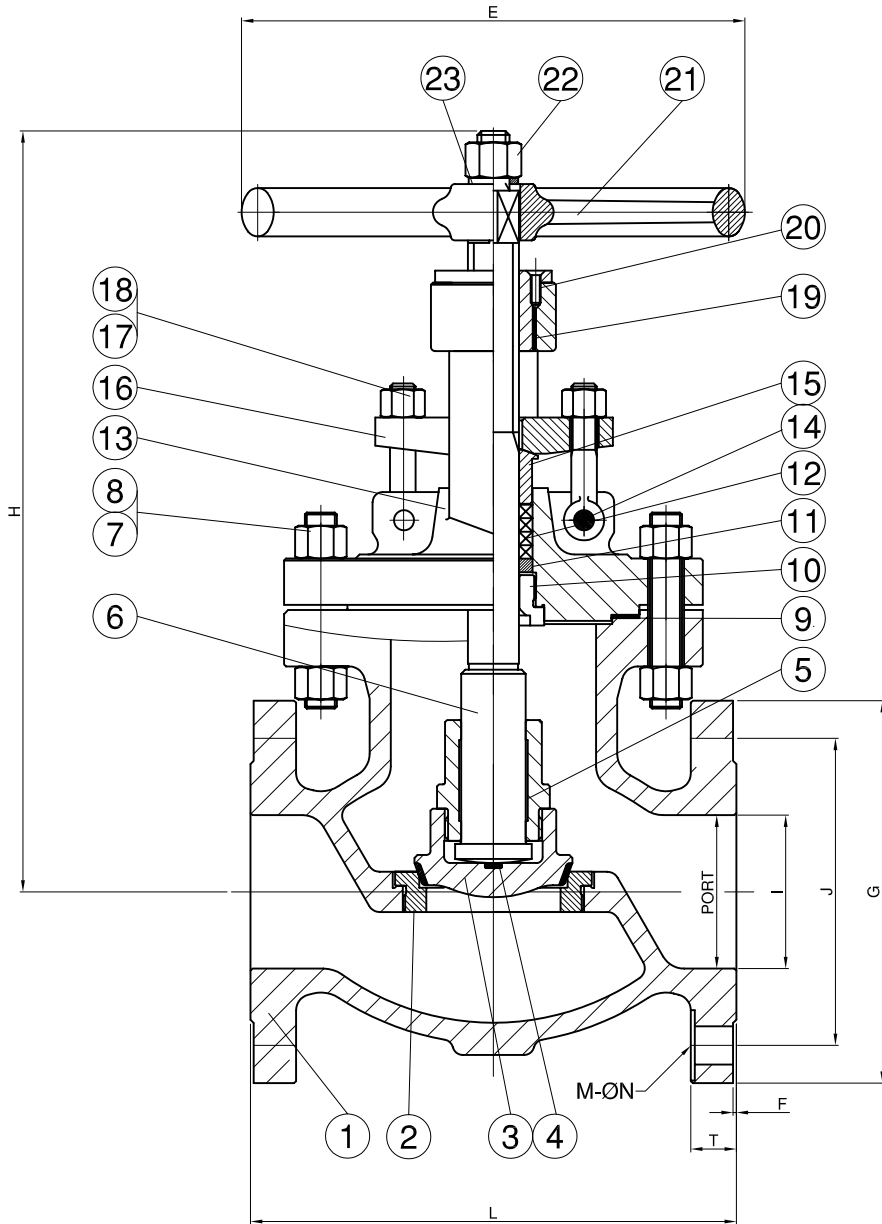


Fig No:

#562



MATERIAL LIST

ITEM	PART NAME	MATERIAL
1	Body	ASTM A216 GR.WCB
2	Seat Ring	ASTM A105+ HF Faced
3	Disc	ASTM A216 GR.WCB+HF FACED
4	Disc Thrust Plate	ASTM A276 Type 410
5	Disc Nut	ASTM A276 Type 410
6	Stem	ASTM A182 F6
7	Bonnet Stud Bolts	ASTM A193 GR.B7
8	Stud Bolt Nuts	ASTM A194 GR.2H
9	Gasket	Soft Iron+Graphite
10	Bonnet Bushing	ASTM A276 Type 410
11	Bonnet Ring	ASTM A276 Type 410
12	Packing	Braided Graphite & Die formed Graphite Ring
13	Bonnet	ASTM A216 GR.WCB
14	Eye Bolt Pins	Carbon Steel
15	Gland	ASTM A276 Type 410
16	Gland Flange	ASTM A216 GR.WCB
17	Gland Eye Bolts	ASTM A193 GR.B7
18	Eye Bolt Nuts	ASTM A194 GR.2H
19	Yoke Sleeve	ASTM A439 GR.D-2
20	Screw	Carbon Steel
21	Handwheel	Malleable Iron
22	Handwheel Nut	Carbon Steel
23	Backing Ring	Carbon Steel

DIMENSIONS

unit: inch

SIZE	PORT	L	E	H	G	J	I	T	F	M	ØN
2"	1.969	10.512	7.874	13.740	6.500	5.000	3.620	0.880	0.060	8	0.750
2-1/2"	2.559	11.496	9.843	14.961	7.500	5.880	4.120	1.000	0.060	8	0.880
3"	3.150	12.520	11.811	16.142	8.250	6.620	5.000	1.120	0.060	8	0.880
4"	3.937	14.016	13.780	20.630	10.000	7.880	6.190	1.250	0.060	8	0.880
6"	5.906	17.480	17.717	22.677	12.500	10.620	8.500	1.440	0.060	12	0.880
8"	7.874	22.008	22.047	36.535	15.000	13.000	10.620	1.620	0.060	12	1.000

	APPROVED BY.	CHECK BY.	DRAWN BY.	DRAWINGNO.	MATERIAL	UNIT	DESCRIPTION
SIGN				#562-D		INCH	2"-8" CARBON STEEL FLANGED GLOBE VALVES ANSI CLASS 300
	DATE			REVISION	02 10/29/2004	SCALE	

