

SPECIFICATIONS

FIGURE 552 CARBON STEEL VALVES



300# CARBON STEEL OS&Y GATE VALVE WITH FLEXIBLE WEDGE DISC

FEATURES

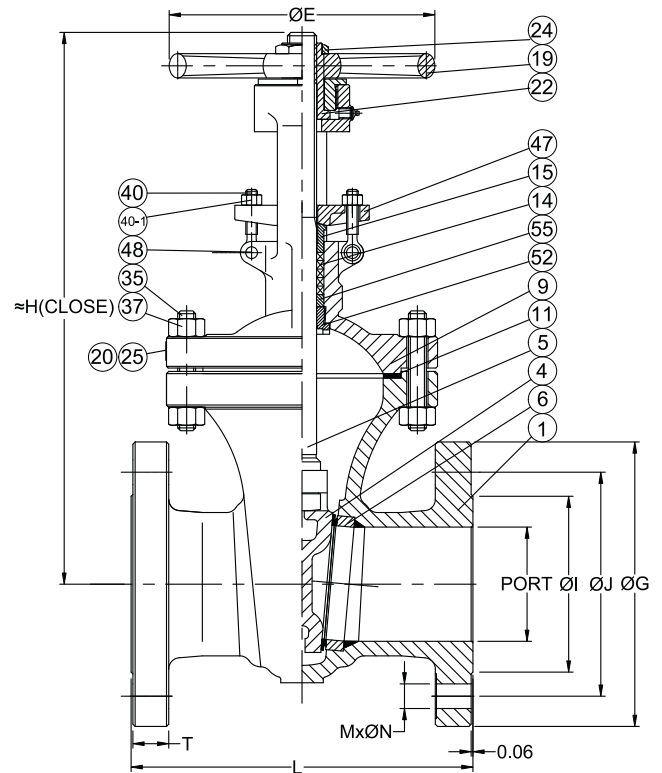
- Flexible wedge
- Seal welded seats
- Outside screw and yoke, rising stem design, non-rising hand wheel
- Seat face stellited, ground and lapped to a mirror finish
- Universal trim-13 Cr stem, wedge 13 Cr face and stellited seat API trim 8 suitable for applications up to 850°F (454°C)
- Body and bonnet joint accurately machined, full enclosed gasket

PRODUCT SPECIFICATIONS

- Shell wall thickness: 2"–24": API 600
- Pressure-temperature rating according to ASME/ANSI B16.34
- Material according to ASTM
- Face to face according to ASME/ANSI B16.10
- End flanges: 2"–24": ASME/ANSI B16.5
- Pressure testing according to API598

MATERIALS: SIZES 2" – 10"

No.	Part Name	Material
1	BODY	ASTM A216 GR.WCB
4	WEDGE	ASTM A216 GR.WCB+13Cr
5	STEM	ASTM A182 GR F6a
6	SEAT RING	ASTM A105N+STL#6
9	BONNET	ASTM A216 GR.WCB
11	GASKET	SS304+GRAPHITE
14	STEM PACKING	GRAPHITE
15	GLAND	ASTM A276 TYPE 410
19	HANDWHEEL	DUCTILE IRON
20	RIVET	SS304
22	STEM NUT	ASTM A439 GR.D-2
24	HANDWHEEL NUT	ASTM A29 TYPE 1025
25	NAMEPLATE	SS304
35	BODY BOLT	ASTM A193 GR.B7
37	BOLT NUT	ASTM A194 GR.2H
40	EYE BOLT	ASTM A193 GR.B7
40-1	EYE BOLT NUT	ASTM A194 GR.2H
47	GLAND FLANGE	ASTM A216 GR.WCB
48	PIN	ASTM A29 TYPE 1025
52	BACK SEAT	ASTM A276 TYPE 410
55	DISTANCE RING	ASTM A276 TYPE 410



DIMENSIONS

Item No.	Size	Port	L	H(CLOSE)	O1	OJ	OG	OE	T	M	ON
FNW552K	2"	2.01	8.50	13.07	3.62	5.00	6.50	7.87	0.81	8	3/4
FNW552L	2-1/2"	2.52	9.50	14.72	4.12	5.88	7.50	7.87	0.94	8	7/8
FNW552M	3"	2.99	11.12	15.12	5.00	6.62	8.25	9.84	1.06	8	7/8
FNW552P	4"	4.02	12.00	17.91	6.19	7.88	10.00	9.84	1.19	8	7/8
FNW552U	6"	5.98	15.88	24.13	8.50	10.62	12.50	13.78	1.38	12	7/8
FNW552X	8"	7.99	16.50	30.31	10.62	13.00	15.00	15.75	1.56	12	1
FNW55210	10"	10.00	18.00	35.75	12.75	15.25	17.50	17.72	1.81	16	1-1/8

SPECIFICATIONS

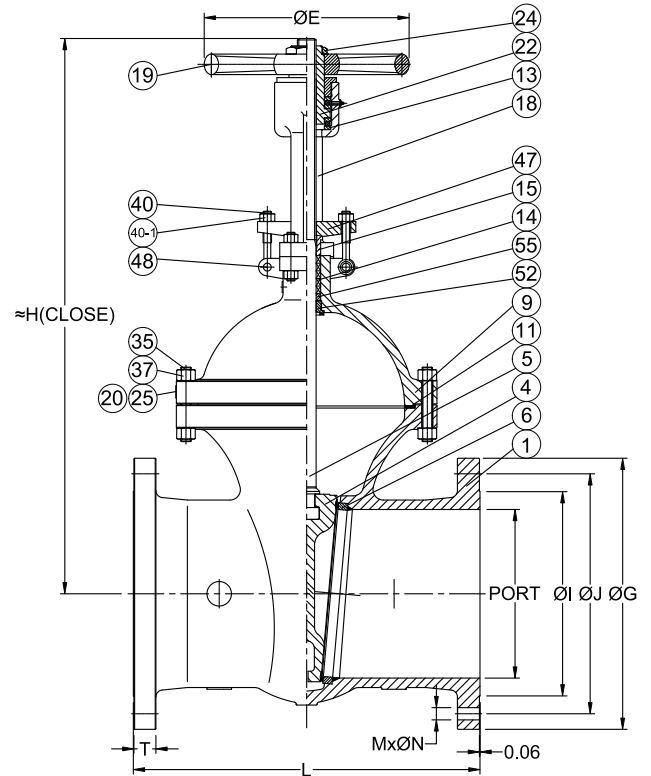
FIGURE 552
CARBON STEEL VALVES



300# CARBON STEEL OS&Y GATE VALVE WITH FLEXIBLE WEDGE DISC

MATERIALS: SIZE 12 – 14"

No.	Part Name	Material
1	BODY	ASTM A216 GR.WCB
4	WEDGE	ASTM A216 GR.WCB+13Cr
5	STEM	ASTM A182 GR F6a
6	SEAT RING	ASTM A105N+STL#6
9	BONNET	ASTM A216 GR.WCB
11	GASKET	SS304+GRAPHITE
13	THRUST BEARING	BEARING STEEL
14	STEM PACKING	GRAPHITE
15	GLAND	ASTM A276 TYPE 410
18	YOKE	ASTM A216 GR.WCB
19	HANDWHEEL	DUCTILE IRON
20	RIVET	SS304
22	STEM NUT	ASTM A439 GR.D-2
24	HANDWHEEL NUT	ASTM A29 TYPE 1025
25	NAMEPLATE	SS304
35	BODY BOLT	ASTM A193 GR.B7
37	BOLT NUT	ASTM A194 GR.2H
40	EYE BOLT	ASTM A193 GR.B7
40-1	EYE BOLT NUT	ASTM A194 GR.2H
47	GLAND FLANGE	ASTM A216 GR.WCB
48	PIN	ASTM A29 TYPE 1025
52	BACK SEAT	ASTM A276 TYPE 410
55	DISTANCE RING	ASTM A276 TYPE 410



DIMENSIONS

Item No.	Size	Port	L	H(CLOSE)	O1	OJ	OG	OE	T	M	ON
FNW55212	12"	12.01	19.75	42.13	15.00	17.75	20.50	19.69	1.94	16	1-1/4
FNW55214	14"	13.27	30.00	47.24	16.25	20.25	23.00	22.05	2.06	20	1-1/4

SPECIFICATIONS

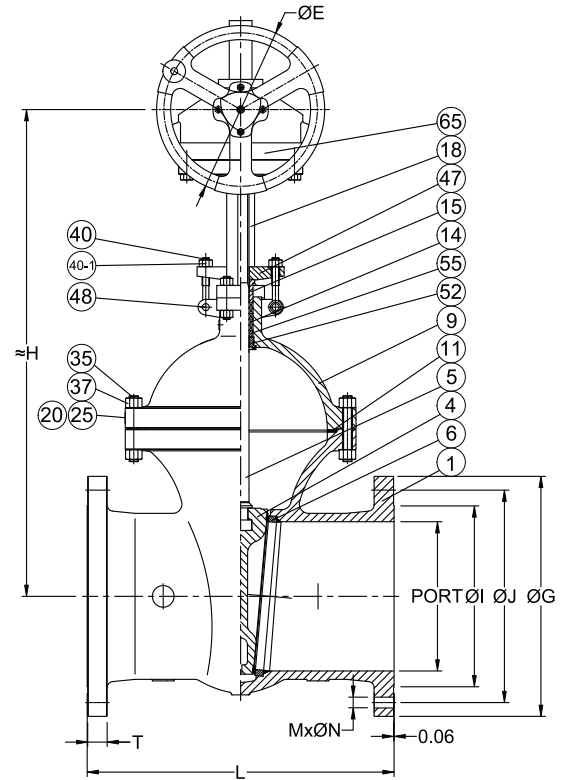
FIGURE 552
CARBON STEEL VALVES



300# CARBON STEEL OS&Y GATE VALVE WITH FLEXIBLE WEDGE DISC

MATERIALS: SIZE 16" – 24"

No.	Part Name	Material
1	BODY	ASTM A216 GR.WCB
4	WEDGE	ASTM A216 GR.WCB+13Cr
5	STEM	ASTM A182 GR F6a
6	SEAT RING	ASTM A105N+STL#6
9	BONNET	ASTM A216 GR.WCB
11	GASKET	SS304+GRAPHITE
14	STEM PACKING	GRAPHITE
15	GLAND	ASTM A276 TYPE 410
18	YOKE	ASTM A216 GR.WCB
20	RIVET	SS304
25	NAMEPLATE	SS304
35	BODY BOLT	ASTM A193 GR.B7
37	BOLT NUT	ASTM A194 GR.2H
40	EYE BOLT	ASTM A193 GR.B7
40-1	EYE BOLT NUT	ASTM A194 GR.2H
47	GLAND FLANGE	ASTM A216 GR.WCB
48	PIN	ASTM A29 TYPE 1025
52	BACK SEAT	ASTM A276 TYPE 410
55	DISTANCE RING	ASTM A276 TYPE 410
65	GEAR BOX	CARBON STEEL



DIMENSIONS

Item No.	Size	Port	L	H(CLOSE)	O1	OJ	OG	OE	T	M	ON
FNW55216	16"	15.24	33.00	51.97	18.50	22.50	25.50	23.62	2.19	20	1-3/8
FNW55218	18"	17.01	36.00	58.66	21.00	24.75	28.00	23.62	2.31	24	1-3/8
FNW55220	20"	19.02	39.00	63.78	23.00	27.00	30.50	23.62	2.44	24	1-3/8
FNW55224	24"	22.99	45.00	75.20	27.25	32.00	36.00	27.56	2.69	24	1-5/8