

**2 PC FULL PORT 600 WOG**

**Features:**

- Threaded Connection
- 600 WOG
- 150 WSP
- Full Port
- Threaded NPT Ends (ANSI B1.20.1)
- Forged Brass Body & EndCap
- 100% Electronically Tested in Open & Closed Position at 80 PSI
- Meets MSS SP-110 Standards
- FM, UL & CSA Approved (See Approval List Below)
- Blow-out Proof Stem
- Adjustable Packing
- Stocked Configurations:
  - Locking Handle (1/4"~2")
  - Stainless Steel Ball & Stem (Includes Locking Handle) (1/4"~2")
- Optional Lock Lever Kit (1/4"~4")
- Optional Stem Extension Kit (1/4"~4")
- Optional Tee Handle Kit (1/4"~1")
- Optional Oval Handle Kit (1/4"~2")
- Optional Memory Stop Kit (1/4"~2")
- Optional Stainless Handle (1/4"~2")



**Accessories**



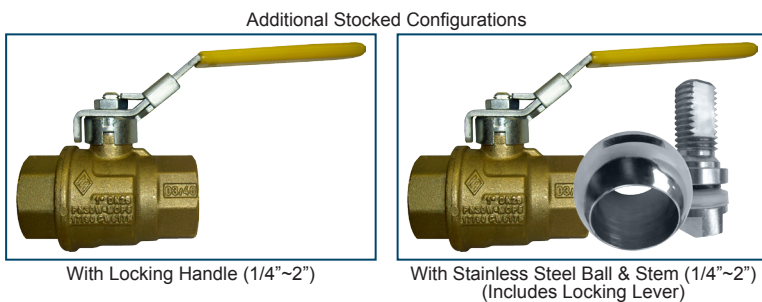
**NOT FOR USE AT OR BELOW GROUND LEVEL**

**Figure Number Matrix**

| FNW 420 Configuration                                  |           | Size      |
|--|-----------|-----------|
| CONFIGURATION CODE                                     | SIZE CODE |           |
| Standard Handle = Blank                                | 1/4 = B   | 1-1/2 = J |
| Locking Handle = LL<br>(1/4"~2")                       | 3/8 = C   | 2 = K     |
| SS Ball & Stem = SSSL<br>w/Locking Handle<br>(1/4"~2") | 1/2 = D   | 2-1/2 = L |
|  | 3/4 = F   | 3 = M     |
|  | 1 = G     | 4 = P     |
|  | 1-1/4 = H |           |

**Kit Codes (Order Separately)**

| FNW 420 Kit             |               | Size |
|-------------------------|---------------|------|
| KIT TYPE                | SIZE CODE     |      |
| Locking Handle = LHK    | 1/4"~1/2"     | BD   |
| Stem Extension = SE     | 3/4"~1"       | FG   |
| Tee Handle = THK        | 1-1/4"~1-1/2" | HJ   |
| Oval Handle = OHK       | 2"            | K    |
| Memory Stop = MSK       | 2-1/2"~3"     | LM   |
| Stainless Handle = SSHK | 4"            | P    |

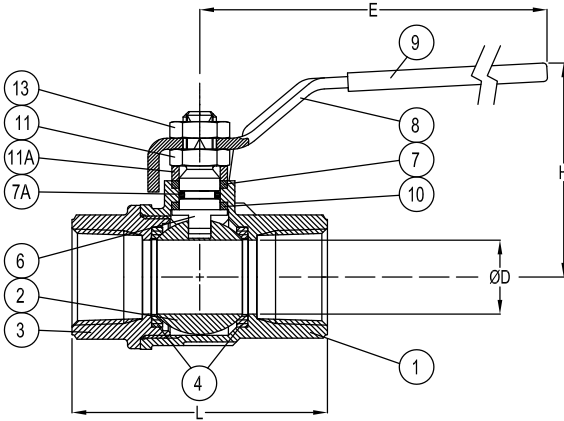


**Gas Approvals**

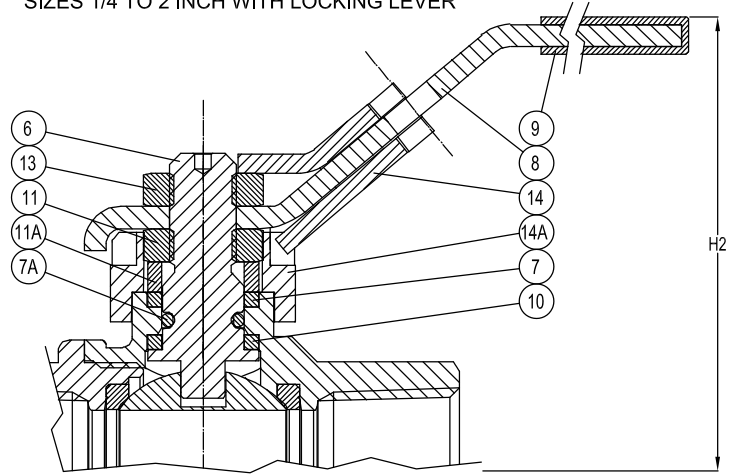
- CSA Class 3371-10, CGA 3.16, 125 PSIG, -40°F~149°F (1/4"~4")
- CSA Class 3371-88, ANSI Z21.15/CSA9.1, 1/2 PSIG, 32°F~188.6°F (1/2"~4")
- CSA Class 3371-90, ASME B16.33/b16.38, 125 PSIG, -40°F~149°F (1/4"~4")
- CSA Class 3371-92, ASME B16.44, 5 PSIG, -40°F~149°F (1/2"~2")
- CSA Class 3371-94, ASME B16.33, 125 PSIG, -40°F~149°F (1/2"~4")
- CSA Class 3371-97, UL-125, 250 PSIG, -40°F~130°F (1/4"~3/8")
- UL Class YRPV, ANSI/UL-842, 250 PSIG, -20°F~125°F (1/4"~4")
- UL Class YSDT, ANSI/UL-125, 250 PSIG, -40°F~130°F (1/4"~4")

## 2 PC FULL PORT 600 WOG

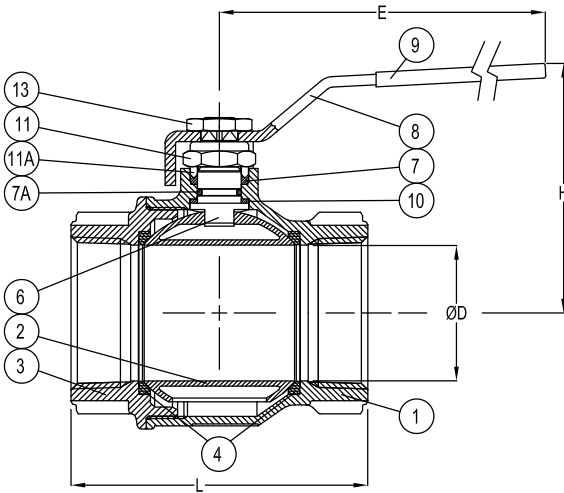
SIZES 1/4 TO 2 INCH



SIZES 1/4 TO 2 INCH WITH LOCKING LEVER



SIZES 2-1/2 TO 4 INCH



### Standard Materials

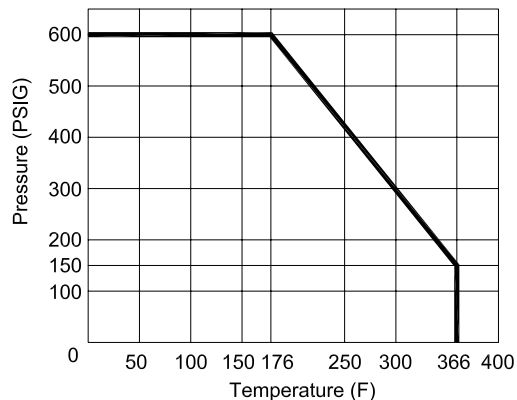
| Ref. No. | Description   | Material  | Qty |
|----------|---------------|---|-----|
| 1        | Body          | Brass CW 617N UNI EN 12165                        | 1   |
| 2        | Ball          | Brass CW 617N UNI EN 12165 (Nickel-Chrome Plated) | 1   |
| 3        | End Cap       | Brass CW 617N UNI EN 12165                        | 1   |
| 4        | Seat          | PTFE  | 2   |
| 6        | Stem          | Brass CW 614N UNI EN 12164                        | 1   |
| 7        | Stem Packing  | PTFE  | 1   |
| 7A       | Stem O-ring   | NBR 75 Shore A                                    | 1   |
| 8        | Handle        | Fe P 11 UNI 5867                                  | 1   |
| 9        | Handle Cover  | Vinyl   | 1   |
| 10       | Thrust Washer | PTFE  | 1   |
| 11       | Gland Nut     | Zinc Plated Steel 6S                              | 1   |
| 11A      | Packing Gland | Brass CW 614N UNI EN 12164                        | 1   |
| 13       | Handle Nut    | Zinc Plated Steel 6S                              | 1   |
| 14       | Locking Pad   | Fe P 11 UNI EN 10111                              | 1   |
| 14A      | Bushing       | ZAMA G Zn A14 UNI EN1774                          | 1   |

### Dimensions (inches)

| Size  | ØD   | E     | L    | H    | H2   |
|-------|------|-------|------|------|------|
| 1/4   | 0.39 | 3.78  | 2.02 | 1.65 | 1.83 |
| 3/8   | 0.39 | 3.78  | 2.02 | 1.65 | 1.83 |
| 1/2   | 0.59 | 3.78  | 2.44 | 1.81 | 1.99 |
| 3/4   | 0.78 | 4.76  | 2.71 | 2.28 | 2.48 |
| 1     | 0.98 | 4.76  | 3.07 | 2.44 | 2.64 |
| 1-1/4 | 1.25 | 5.94  | 3.42 | 3.00 | 3.15 |
| 1-1/2 | 1.57 | 5.94  | 3.89 | 3.23 | 3.38 |
| 2     | 1.94 | 6.30  | 4.33 | 3.74 | 3.74 |
| 2-1/2 | 2.56 | 8.11  | 5.59 | 4.84 |      |
| 3     | 3.15 | 8.11  | 6.45 | 5.23 |      |
| 4     | 3.94 | 10.27 | 7.60 | 6.49 |      |

### Cv & Weights

| Size  | Cv   | Wt. (Lbs) |
|-------|------|-----------|
| 1/4   | 6    | 0.3       |
| 3/8   | 7    | 0.3       |
| 1/2   | 19   | 0.5       |
| 3/4   | 34   | 0.7       |
| 1     | 50   | 1.1       |
| 1-1/4 | 104  | 2.0       |
| 1-1/2 | 268  | 3.1       |
| 2     | 309  | 4.2       |
| 2-1/2 | 629  | 8.0       |
| 3     | 1018 | 12.9      |
| 4     | 1622 | 22.0      |



DOC: FNWBV420SSLL07 Ver. 11/2013

© 2013 - FNW. All rights reserved.

The FNW logo is a trademark of Ferguson Enterprises, Inc., PL Sourcing, PO Box 2778, Newport News, VA 23609

The contents of this publication are presented for information purposes only, and while effort has been made to ensure their accuracy, they are not to be construed as warranties or guarantees, expressed or implied, regarding the products or services described herein or their use or applicability. All sales are governed by our terms and conditions, which are available on request. We reserve the right to modify or improve the designs or specifications of our products at any time without notice. Always verify that you have the most recent product specifications or other documentation prior to the installation of these products.