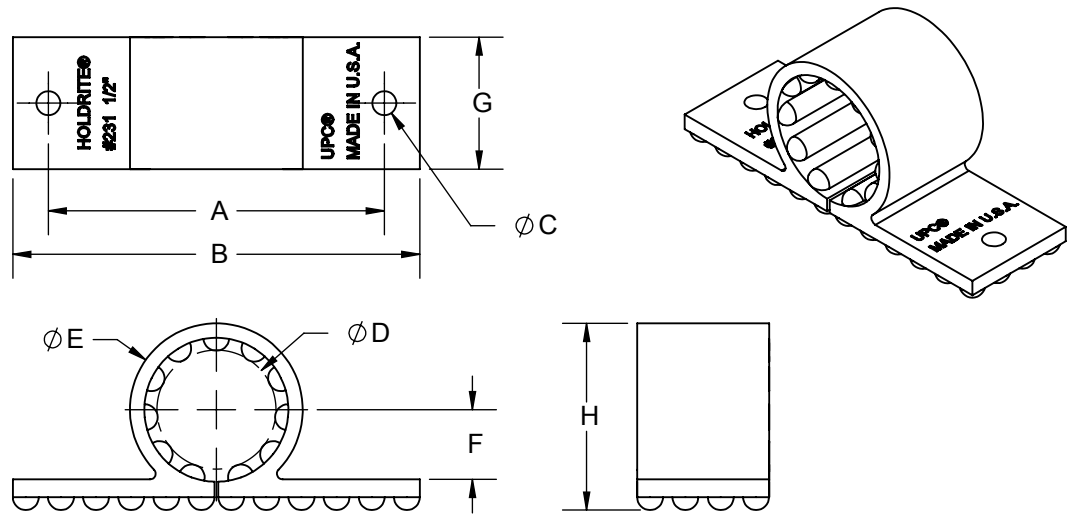


**PRODUCT SPECIFICATION DRAWING**  
**HOLDRITE® FLAME FIGHTER™ #231-S & #232-S**  
**(25/50 Plenum rated)**



MODEL	SIZE	A	B	C	D	E	F	G	H
#231-S	1/2"	2.12	1.75	Ø.13	Ø.62	Ø.90	0.37	0.69	0.97
#232-S	3/4"	2.12	1.75	Ø.13	Ø.87	Ø1.17	0.50	0.69	1.25

All dimensions in inches. Dimensions (approximate)

**Flame and smoke rated plastic clamp for 1/2" and 3/4" tubing. Meets ASTM E-84 25/50 and UL94V-0. Helps to minimize noise transfer and isolates against dissimilar metal contact. Compatible with Copper, PEX, CPVC and other tubing.**

**Product Information:**

- Material: Kynar Flex, yellow, UL94V-0
- Temperature range: -20°F to +200°F
- Meets ASTM E-84 25/50 & UL94V-0
- UPC / IPC / IAPMO listed



THIS INFORMATION IS PROPRIETARY TO HOLDRITE AND IS SUBJECT TO CHANGE WITHOUT NOTICE. IT MAY NOT BE REPRODUCED IN PART OR WHOLE WITHOUT WRITTEN AUTHORIZATION.



CONVERTING MAKESHIFT METHODS INTO ENGINEERED SOLUTIONS<sup>SM</sup>  
 800-321-0316 OR 760-744-6944 / FAX: 760-744-0507 / WWW.HOLDRITE.COM  
 spec\_231-S\_232-S\_RevF

Product Submittal	
Job Name:	
Date:	
Part Number:	Qty:
Architect / Owner:	
Contractor:	
Notes:	