

Air-Loc® Stringer • Ventilators

Air-Loc® Fan Assembly Features:

- For use as a line stringer, ventilator and smoke blower
- Made of lightweight, cast aluminum
- Foam base minimizes vibration
- 30" Diameter base plate

Equipped with:

- Honda or Briggs & Stratton engine
- Top-mounted handles for easy maneuverability

Line Stringer Usage Details:

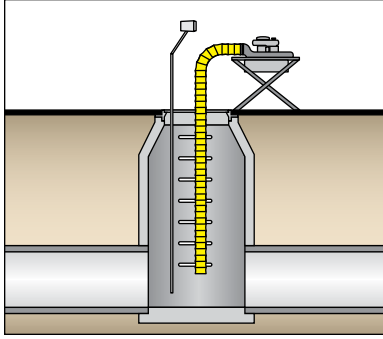
- Will string a 300' section of sewer line in under a minute without plugging the line
- Line stringer vacuum pulls a lightweight nylon parachute through wet or dry lines

Ventilator Usage Details:

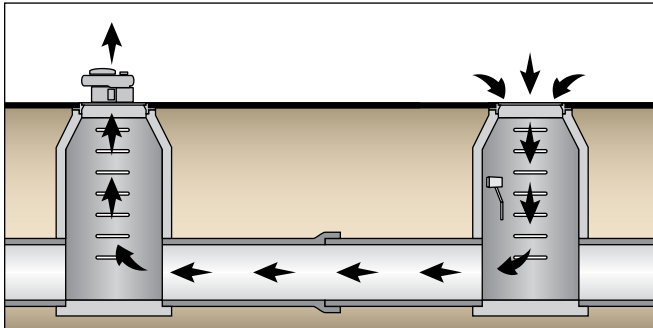
- Supports OSHA guidelines for confined space entry
- Provides up to 2,350 CFM as a blow-in ventilator and up to 3,470 CFM as a suction ventilator¹
- Out-performs similar competitive models by 40% at 3" of static pressure



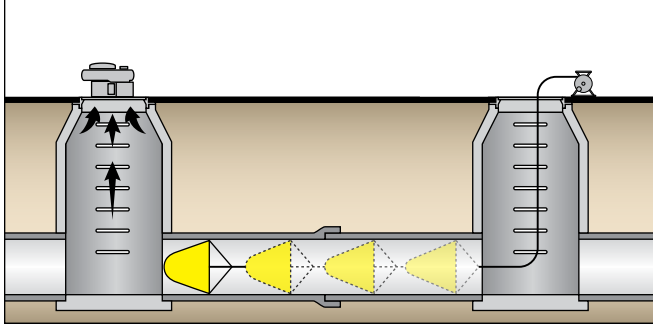
Blow-in Ventilator



Suction Ventilator



Line Stringer



Stringer • Ventilator

Part Number	Description
303318	Line Stringer Kit: Honda engine 1000' nylon rope and reel, 6-10" parachute
301000	Line Stringer Kit: Briggs & Stratton engine 1000' nylon rope and reel, 6-10" parachute
303338	Ventilator Kit: Honda engine Shroud, Stand and 20 ft of 8" diameter duct hose
303232	Ventilator Kit: Briggs & Stratton engine Shroud, Stand and 20 ft of 8" diameter duct hose
013108	Fan Assembly: Honda engine
012100	Fan Assembly: Briggs & Stratton engine
014714	Replacement fan: Line Stringer/Ventilator (right pitch)
300608	1000' Nylon Rope and Reel
066303	4" Parachute
015403	6"-10" Parachute
050628	8"-12" Parachute
300594	10"-18" Parachute
006525	18"-36" Parachute
008250	Line Stringer to Ventilator Conversion Kit: Shroud, Stand and 20 ft of 8" diameter duct hose

¹ - CFM performance based on independent laboratory tests. When tested side-by-side at an independent air flow laboratory, Cherne's line stringer, ventilator, and smoke blower beat the competition at every flow condition.