

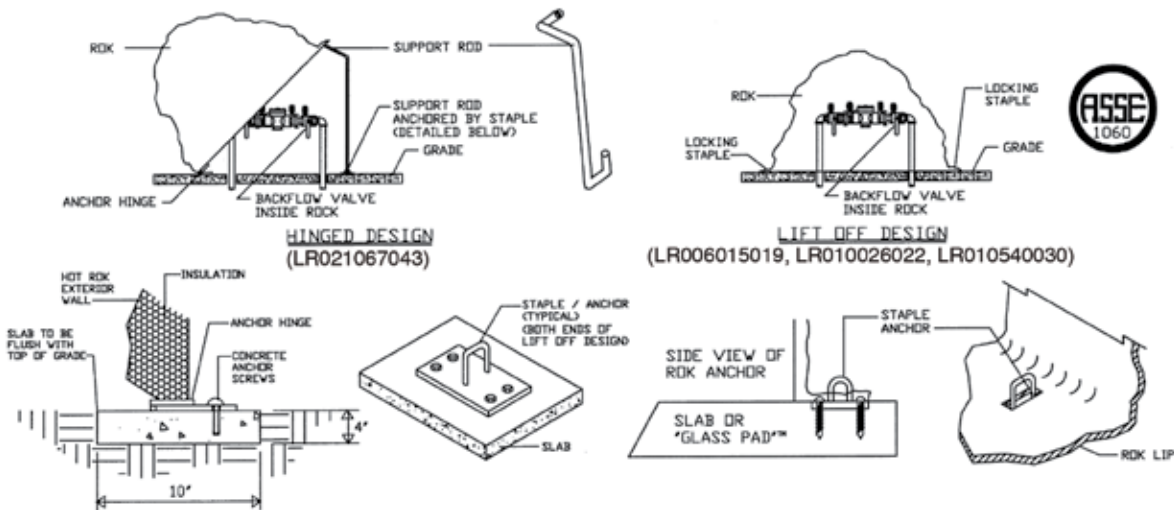


# VALVE & PUMP ENCLOSURES

## SPECIFICATION (INSULATED WITHOUT HEAT):

The decorative landscaping enclosure, certified (and labeled) to ASSE 1060, shall be of min. 1/8" tk. thixotropic polyester resin reinforced w/fiberglass strand. Exterior will be a UV inhibited isophthalic polyester gel coat, colored as specified. Insulation shall be min. 1-1/4" tk. (R8), unicellular non-wicking, polyisocyanate, frothed or sprayed in place (not glued or pinned). Enclosure shall utilize a flip up design for maintenance access or provide for removal of the entire unit. Drains shall be sized for full port backflow discharge and designed for "one way" exit, inhibiting intrusion of debris and/or vermin. Enclosure shall be anchored to a concrete slab or GLASS PAD™ through the hinge from within the enclosure w/steel anchors with the opposite end requiring a single padlock for security purposes.

HOT ROK (INSULATED)	Old HOT ROK NO. (NO HEAT)	Inside Width	Inside Length	Inside Height	Shipping Weight	Pad Size	GLASS PAD	OLD GLASS PAD
LR006015019	GHR.75	06	15	19	20#	27 x 21	GG018024005	GPGLR.75
LR010026022	GHR1	10	26	22	55#	40 x 30	GG030040005	GPGLR1
LR015040030	GHR2	15	40	30	85#	51 x 26	GG023048005	GPGLR2
LR021067043	GHR3	21	67	43	325#	90 x 40		N/A



NOTES:

- POUR A FULL CONCRETE PAD 4" THICK AROUND VALVE, ALLOWING A MINIMUM 1" RADIAL SPACE BETWEEN VALVE RISERS AND PAD.  
OR  
INSTALL A "GLASS PAD™".
- PLACE POLY ROK™ OVER VALVE ONTO PAD OR FOOTER.
- MARK LOCKING STAPLE. POSITION ON CONCRETE.
- USE A MASONRY BIT TO DRILL THROUGH ANCHOR STAPLE.  
A. INSERT CONCRETE SCREWS AND BOLT FIRMLY TO CONCRETE.
- LOWER ROK AND SECURE STAPLE VIA PAD LOCK.



MEMBERS OF:




---

Job Name \_\_\_\_\_ Contractor \_\_\_\_\_

Job Location \_\_\_\_\_ Approval \_\_\_\_\_

Engineer \_\_\_\_\_ Contractor's P.O. No. \_\_\_\_\_

Approval \_\_\_\_\_ Representative \_\_\_\_\_

---