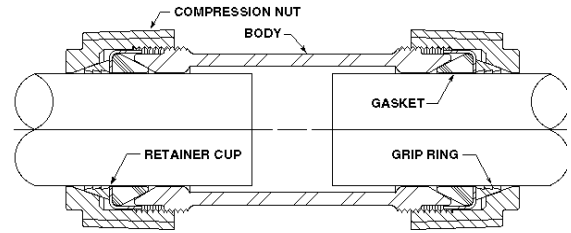


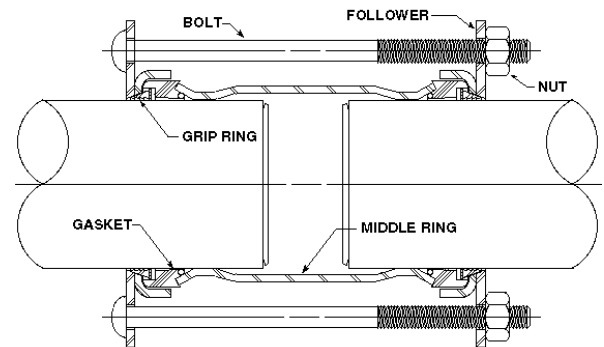
# Seal & Restraint Couplings and Fittings

## Current Product Line:

- Style 90 Universal Boltless Couplings & Fittings
- Style 90 Insulated Restraining Couplings
- Style 401 Couplings & Fittings
- Style 501 Compression Fittings
- Style 700 Universal POSI-HOLD™ Hydraulic Couplings
- Style 711 Couplings & Flange Adapters
- Style 711 Line Caps
- See Page 6 for Style 175 Valves (w/Universal 90 or 501 Compression Ends)







Style 90 Universal Coupling



Style 711 Coupling

## Seal & Restraining Pipe Joining

These products create both a SEAL on the pipe and RESTRAINT against pipe pull-out.

PIPE	PRODUCT	STYLE NO.	CONFIGURATIONS	SIZES	PSI RATING
P.E. to P.E. P.E. to Copper		Style 401 SEAL-PLUS™ Couplings	Coupling, Ell, Tee, End Cap (Straight & Reducing)	5/8" - 1-3/8"	125 psig
P.E. to Steel		Style 501 x 90 Compression End Fitting	Coupling, Adapter, Reducing Coupling	3/4" - 2"	125 psig
Steel x P.E.		Style 88	Service Head Adapter for Steel x P.E. (Insert Included)	5/8" - 1-3/8" (CTS)	150 psig
P.E. to P.E. P.E. to Steel Steel to Steel		Style 90 Universal	Coupling, Ell Tee, Adapter (Straight & Reducing)	3/4" - 2"	150 psig
Steel x Steel Steel x P.E.		Style 90 Insulating	Insulating/Restraining Couplings	3/4" - 2"	150 psig
Steel x Steel Steel x P.E.		Style 90 Universal Service Tee	Tap-N-Valve Tee for IPS Services w/Compression Outlet	3/4" Weld x 3/4" 3/4" Weld x 1" 1" MIPS x 3/4"	150 psig