



## PVC Compression Couplings

### Product Features

- For cold water use only
- 100 PSI up to 73 °F
- PVC material
- Pipe ends must be restrained
- Do not recommend to service or test with compressed air or gases

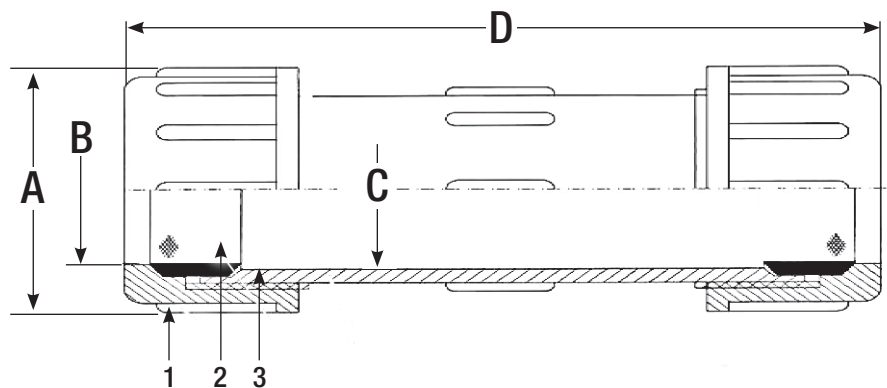


PFPCD

### Model Numbers

Model NO.	Size		A		B (JIS)		B (ANSI)		B (BS)		C		D	
	in	mm	in	mm	in	mm	in	mm	in	mm	in	mm	in	mm
PFPCD	1/2"	12.7	1.83	46.5	0.86	21.8	0.83	21	0.83	21	0.91	23	5.24	133
PFPCCF	3/4"	19.05	2.05	52	1.02	25.8	1.04	26.47	1.04	26.4	1.2	30.5	5.28	134
PFPCCG	1"	25.4	2.40	61	1.25	31.8	1.31	33.2	1.31	33.2	1.45	37	5.83	148
PFPCCH	1-1/4"	31.75	2.83	72	1.49	37.8	1.65	42	1.65	41.8	1.8	45.7	6.42	163
PFPCJ	1-1/2"	38.1	3.15	80	1.88	47.8	1.89	48	1.89	47.9	2.06	52.5	6.83	173.5
PFPCCK	2"	50.8	3.62	92	2.35	59.8	2.37	60.3	2.36	60	2.53	64.3	7.87	200
PFPCCL	2-1/2"	63.5	4.53	115	2.98	75.8	2.87	72.8	2.95	75	3.07	78	9.76	248
PFPCCM	3"	76.2	5.28	134	3.50	88.8	3.49	88.7	3.49	88.8	3.66	93	10.75	273
PFPCCP	4"	101.6	6.34	161	4.48	113.8	4.49	114.1	4.48	113.9	4.65	118	11.95	303.5
PFPCCU	6"	152.4	8.78	223	4.57	116	6.61	168	6.61	167.8	6.85	174	11.02	280

NO.	PART	MATERIAL	QUANTITY
1	BODY	UPVC	1
2	UNION NUT	UPVC	2
3	SEAT	NR	2



### Warranty and Codes

This PROFLO product carries a 1 Year Limited Warranty. Complies with ASTM and ANSI standards.