

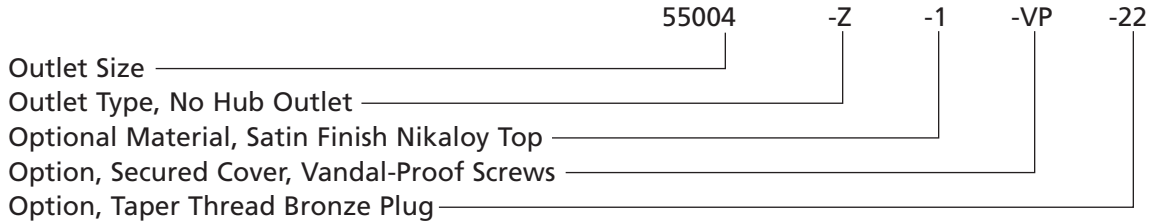
# CLEANOUTS

## How to Order

**FLOOR CLEANOUTS** – Unless optional materials are specified, standard material shown in Specification will be provided.

Example: Series No. 55000

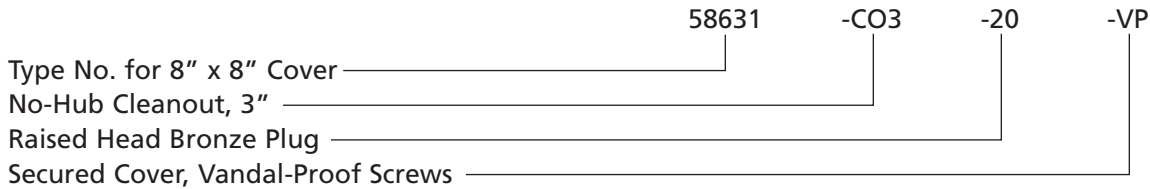
Type No. 55004



**WALL OR FLOOR ACCESS COVERS** – When outlet size does not apply, refer to dimension table for Type No. to be ordered.

Example: Series No. 58630

Type No. 58631



## CLEANOUTS • Pictorial Selection Guide

### ADJUSTABLE FLOOR CLEANOUTS

<b>55000</b> C.I. Cover, Internal Plug  Page 188	<b>55000-1</b> Nikaloy Cover, Internal Plug  Page 188	<b>55000-1-SD</b> Nikaloy Laminated C.I. Cover, Internal Plug  Page 189	<b>55000-1-SQ</b> Nikaloy Cover, Internal Plug  Page 190	<b>55000-1-13</b> Nikaloy Cover Recessed for Terrazzo Tile, Internal Plug  Page 191	<b>57008-Z-CI</b> Cast Iron Cover, Internal Plug  Page 192
---	---	--	---	--	---

### ADJUSTABLE FLOOR CLEANOUTS

<b>57008-Z-1</b> Nikaloy Cover, Internal Plug  Page 192	<b>57008-Z-1-SD</b> Nikaloy Laminated C.I. Cover, Internal Plug  Page 192	<b>57008-Z-1-12</b> Nikaloy Cover Recessed for Tile, Internal Plug  Page 193	<b>57008-Z-LT</b> No-Hub Cast Iron Ferrule & ABS Plug  Page 193	<b>58360</b> Nikaloy Cover, Bronze Plug  Page 194	<b>58460A</b> Nikaloy Cover, Bronze Plug, Double Drainage Flange  Page 194
--	--	---	---	---	---

## 55000 SERIES

## LEVELEZE® KLEENATRON® II SPECIAL-DUTY

### APPLICATION

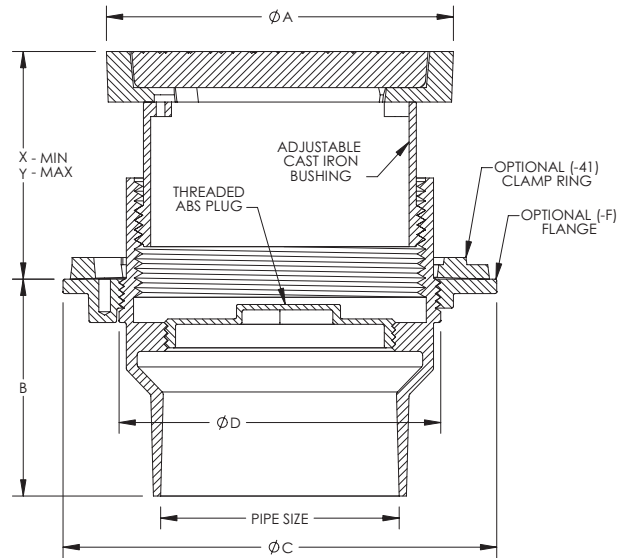
For use in finished or unfinished floors subject to heavy wheel traffic such as warehouses, loading docks and warehouse stores. Top design allows for unimpaired adjustment even as the floor is being poured.

### SPECIFICATION

JOSAM 55000 Series coated cast iron LEVELEZE® KLEENATRON® II Floor Cleanout, internal ABS cleanout plug, adjustable cast iron housing with special-duty scoriated secured round cast iron cover.

### Available Options

- |   |  |
|---|--|
| ▼ -1 Satin Finish Nikaloy Top                         | -SS-SQ Square Top, Stainless Steel     |
| ▼ -1-SD Special-Duty Satin Finish Nikaloy Top         | ▼ -5 Ductile Iron Top                  |
| ▼ -1-5Q Square Top, Satin Finish Nikaloy              | -14 Carpet Cleanout Marker             |
| ▼ -1-12 Cover Recessed for Tile, Satin Finish Nikaloy | -VP Secured Cover, Vandal-Proof Screws |
| ▼ -1-13 Terrazzo Tile Cover, Satin Finish Nikaloy     | -22 Taper Thread Bronze Plug           |
| -2 Satin Finish Bronze Top                            | -31 Galvanized Cast Iron Parts         |
| -2-SD Special-Duty Satin Finish Bronze Top            | -41 Clamp Ring and Flange              |
| -2-5Q Square Top, Satin Finish Bronze                 | -F Flange Only                         |
| -2-12 Cover Recessed for Tile, Satin Finish Bronze    | -WF Wide Flange (not available on CI)  |
| -2-13 Terrazzo Tile Cover, Satin Finish Bronze        | -CFC Carpet Cleanout Flange Cover      |
| -SS Stainless Steel Top                               |  |
- OUTLETS:**
- |                               |
|-------------------------------|
| -X Inside Caulk Outlet        |
| -Y Hub Outlet w/Gasket, 2"-4" |
| -Z No-Hub Outlet              |



\* FLANGE STANDARD ON 4" -X AND 6" SIZES.

FOR OUTLET TYPE SPECIFY -X, -Y or -Z

TYPE NO.	PIPE SIZE	A	B	C*	D	X	Y	LBS.
55002	2	6	3-3/4	7-1/2	5-9/16	2-3/4	4-1/4	15
55003	3	6	3-3/4	7-1/2	5-9/16	2-3/4	4-1/4	15
55004	4	6	3-3/4	7-1/2	5-9/16	2-3/4	4-1/4	16
55004-X	4	7-1/2	4-1/4	9-3/16	7	2-5/8	4-5/16	18
55005-Z	5	6	3-3/4	7-1/2	5-9/16	2-3/4	4-1/4	16
55006-Z	6	7-1/2	4-1/4	9-3/16	7	2-5/8	4-5/16	18

## 55000-1 SERIES

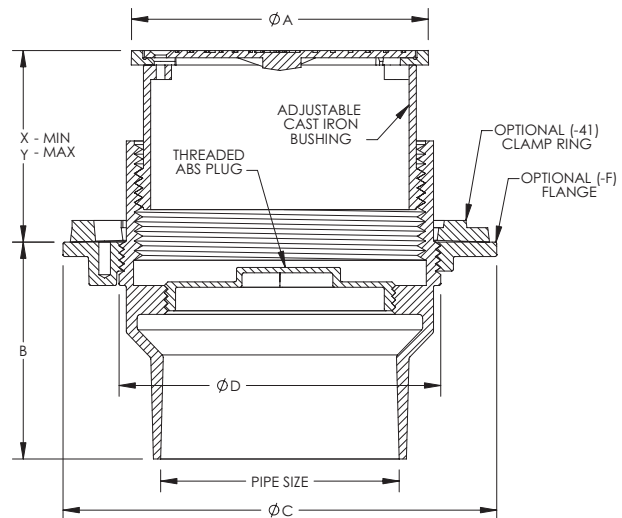
## with -1 Nikaloy Top

### APPLICATION

For use in finished floors subject to pedestrian and light wheel traffic such as schools, hospitals and shopping malls. Top design allows for unimpaired adjustment even as the floor is being poured.

### SPECIFICATION

JOSAM 55000-1 Series coated cast iron LEVELEZE® KLEENATRON® II Floor Cleanout, internal ABS cleanout plug, adjustable cast iron housing with medium-duty scoriated secured round satin Nikaloy cover.



\* FLANGE STANDARD ON 4" -X AND 6" SIZES.

FOR OUTLET TYPE SPECIFY -X, -Y or -Z

TYPE NO.	PIPE SIZE	A	B	C*	D	X	Y	LBS.
55002-1	2	5-1/8	3-3/4	7-1/2	5-9/16	2-1/8	3-5/8	12
55003-1	3	5-1/8	3-3/4	7-1/2	5-9/16	2-1/8	3-5/8	12
55004-1	4	5-1/8	3-3/4	7-1/2	5-9/16	2-1/8	3-5/8	13
55004-1-X	4	6-5/8	4-1/4	9-3/16	7	2	3-11/16	14
55005-1-Z	5	5-1/8	3-3/4	7-1/2	5-9/16	2-1/8	3-5/8	12
55006-1-Z	6	6-5/8	4-1/4	9-3/16	7	2	3-11/16	14