

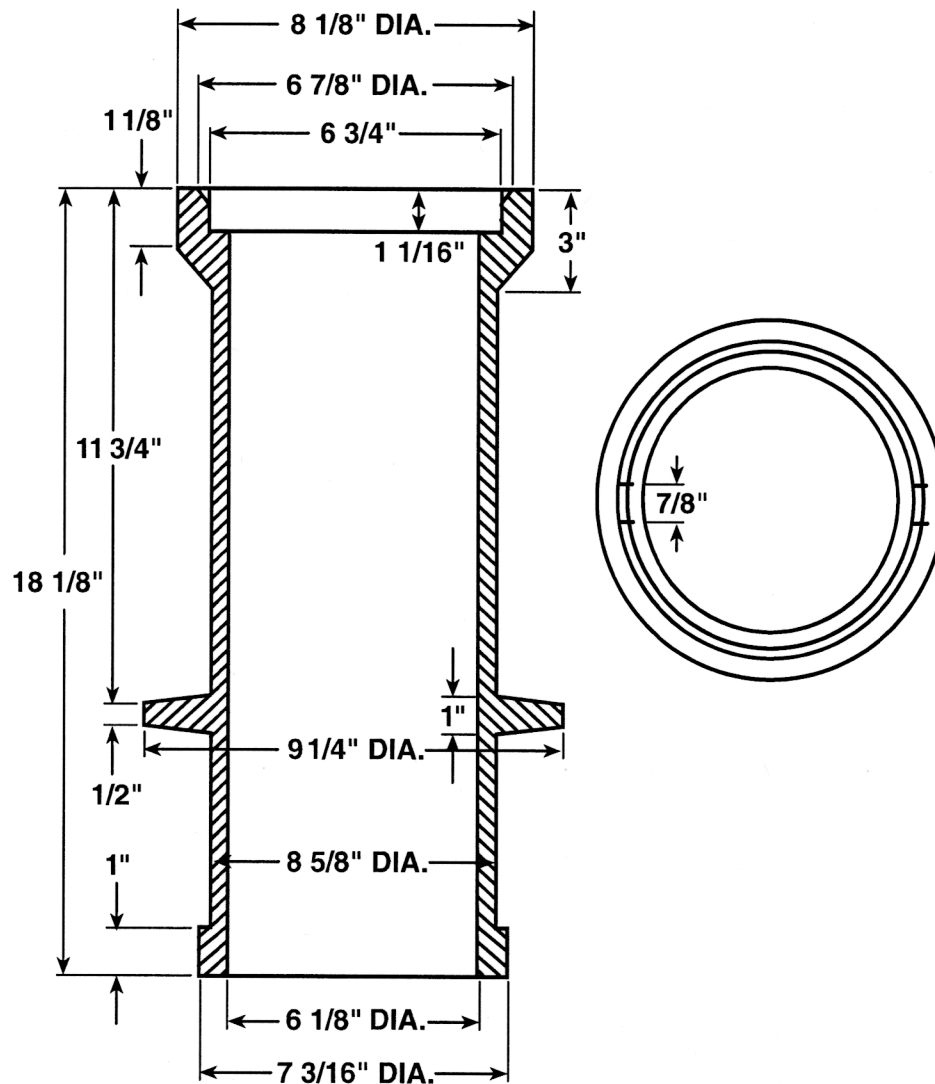
CAST IRON VALVE BOX - 940 TOP SECTION

Product Features

All valve boxes and related parts shall be coated on all surfaces with an asphaltic varnish of 2mm in thickness.

Model Numbers

IVB940TOP18 18" Cast Iron Valve Box Top with Ring



Codes & Approvals

Valve boxes conform to ASTM A-48, Grade 30B; Asphaltic varnish conforms to AWWA C-104.