



ASSEMBLED CAST IRON SLIP VALVE BOX

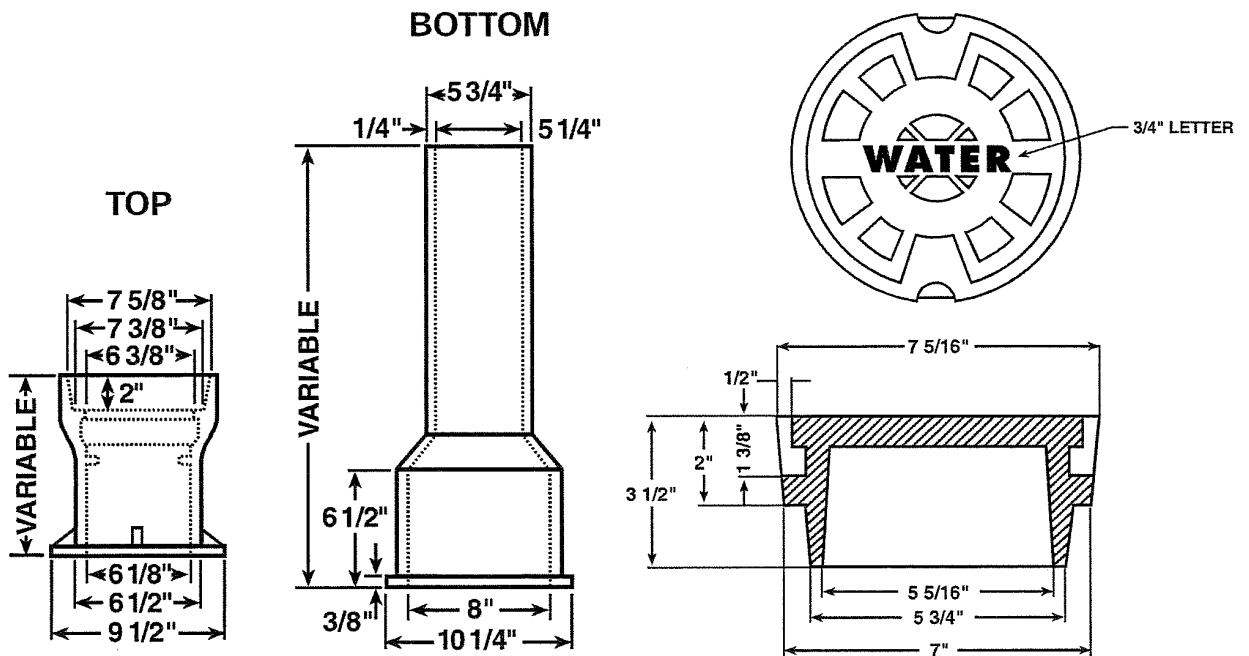
Product Features

All valve boxes and related parts shall be coated on all surfaces with an asphaltic varnish of 2mm in thickness.

Model Numbers

PSVB461AW

PSVB562AW



DIMENSIONS/COMPONENTS				
ITEM #	TOP	BOTTOM	LID	RANGE
PSVB461AW	IVBATS10 10"	IVBABS15 15"	IVBLIDW 5-1/4"	20" -24"
PSVB562AW	IVBATS16 16"	IVBABS24 24"	IVBLIDW 5-1/4"	28" -38"

Codes & Approvals

Valve boxes conform to ASTM A-48, Grade 30B; Asphaltic varnish conforms to AWWA C-104.