



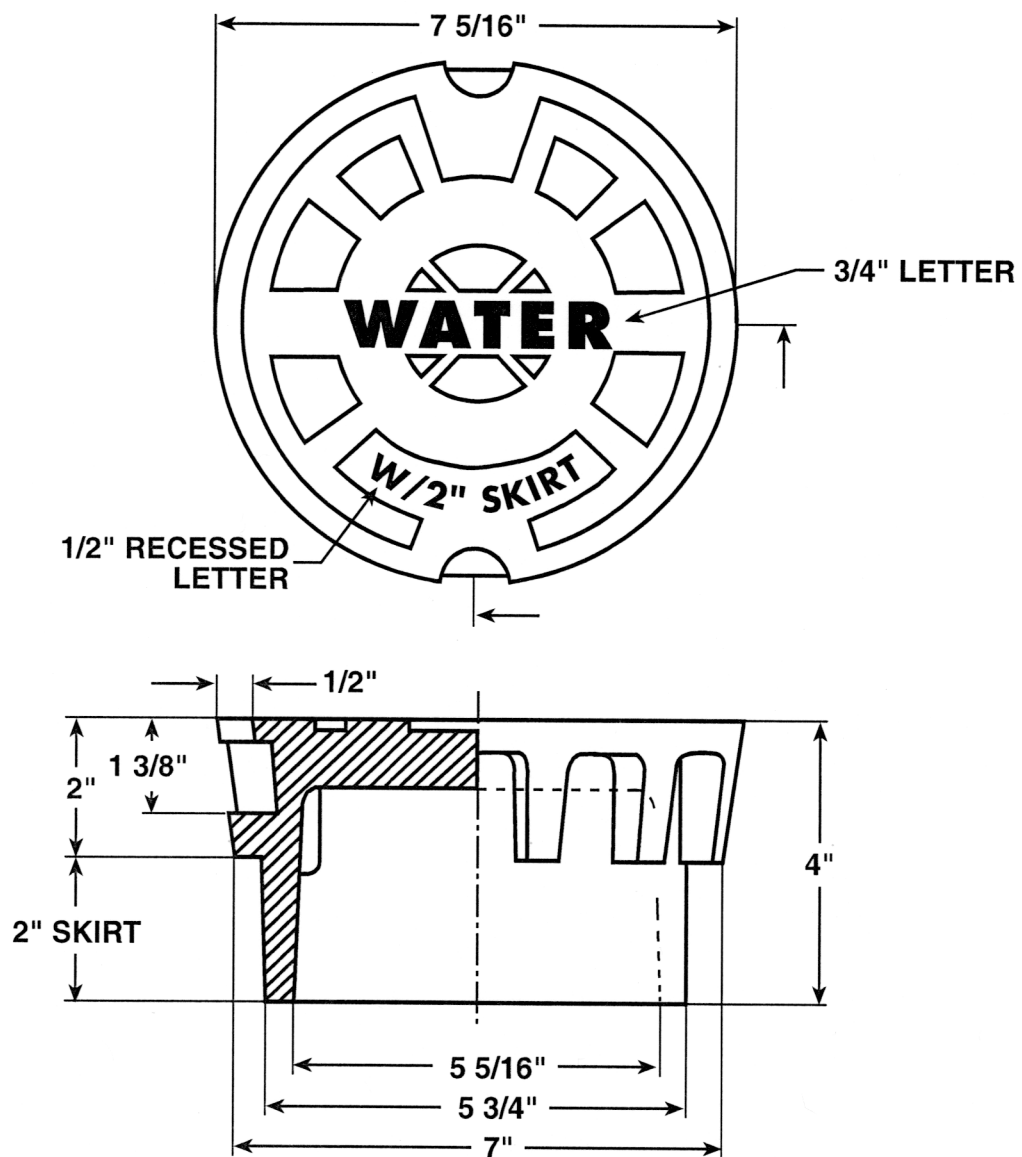
# CAST IRON VALVE BOX LID - 2" SKIRT

## Product Features

All valve boxes and related parts shall be coated on all surfaces with an asphaltic varnish of 2mm in thickness.

## Model Numbers

**IVBLID40W** 5-1/4 x 4 Drop Valve Box Lid - Water



## Codes & Approvals

Valve boxes conform to ASTM A-48, Grade 30B; Asphaltic varnish conforms to AWWA C-104.