



CAST IRON VALVE BOX - 910 LID

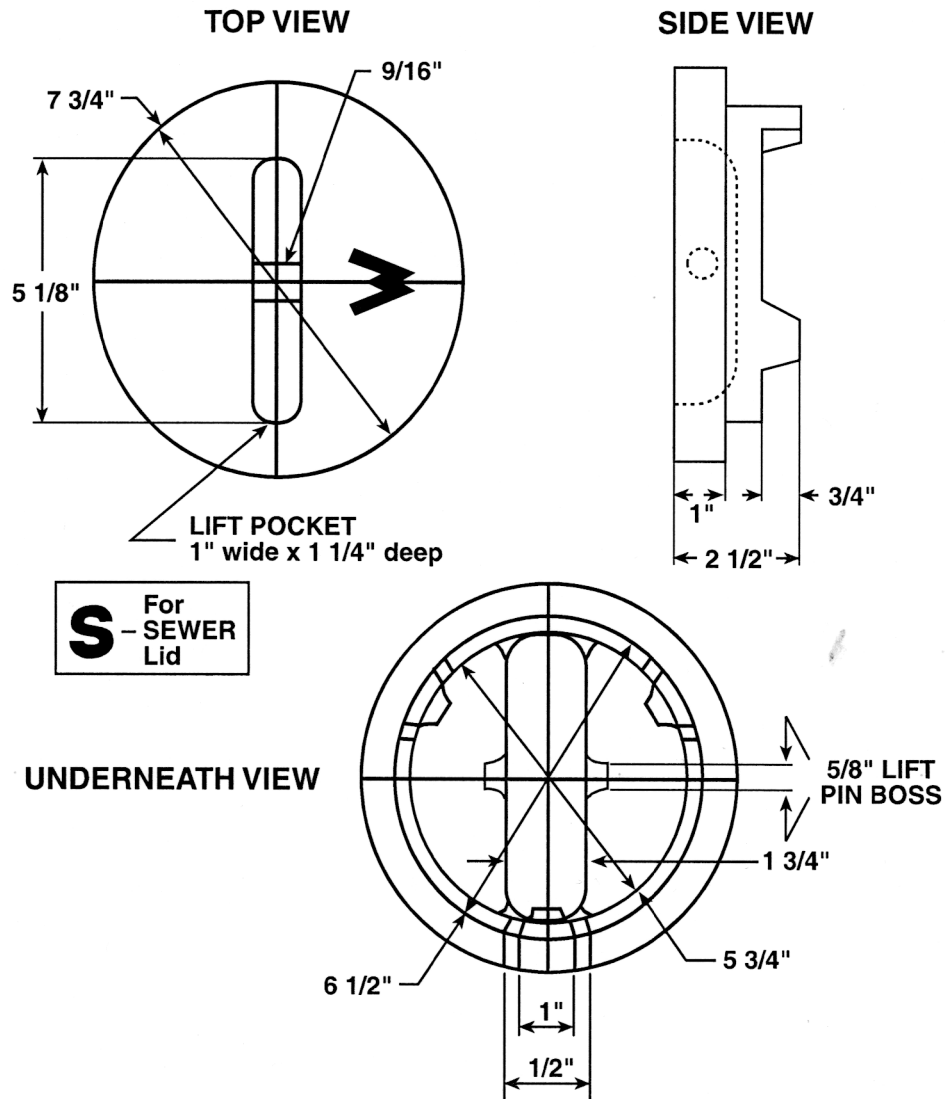
Product Features

All valve boxes and related parts shall be coated on all surfaces with an asphaltic varnish of 2mm in thickness.

Model Numbers

IVB910WTR Cast Iron Valve Box Water Lid F/910

IVB910SWR Cast Iron Valve Box Sewer Lid F/910



Codes & Approvals

Valve boxes conform to ASTM A-48, Grade 30B; Asphaltic varnish conforms to AWWA C-104.