

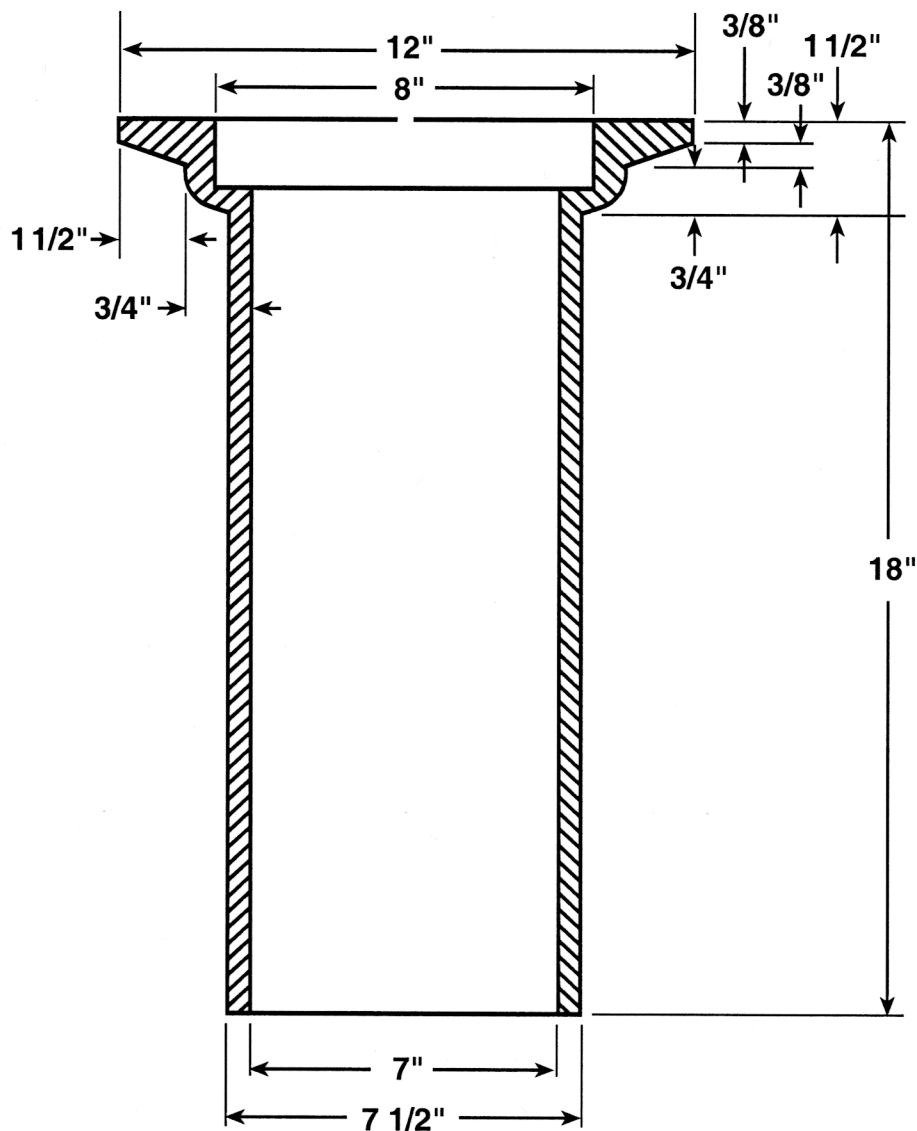
CAST IRON VALVE BOX - 910 TOP SECTION

Product Features

All valve boxes and related parts shall be coated on all surfaces with an asphaltic varnish of 2mm in thickness.

Model Numbers

IVB910TOP 18" Cast Iron Valve Box Top Only



Codes & Approvals

Valve boxes conform to ASTM A-48, Grade 30B; Asphaltic varnish conforms to AWWA C-104.