



CAST IRON VALVE BOX - BASE ONLY

Product Features

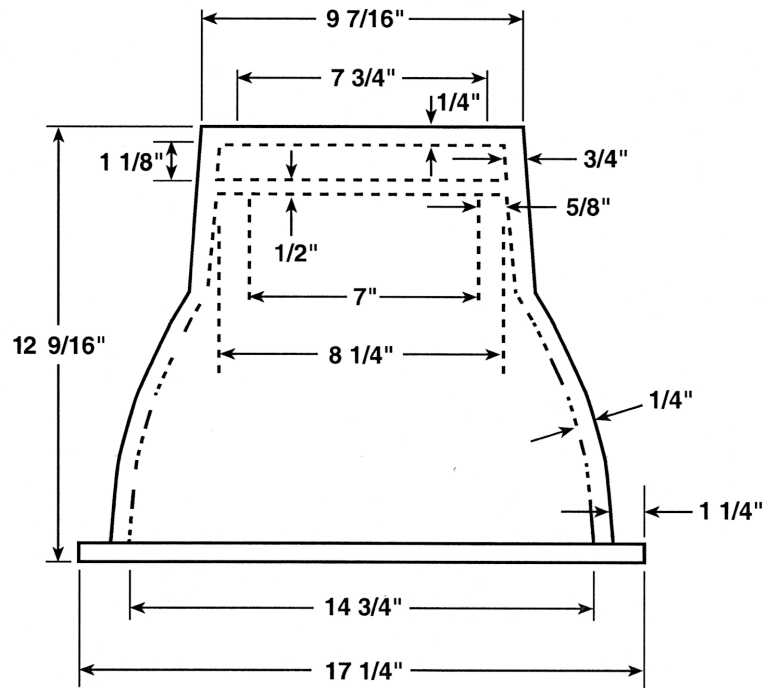
All valve boxes and related parts shall be coated on all surfaces with an asphaltic varnish of 2mm in thickness.

Model Numbers

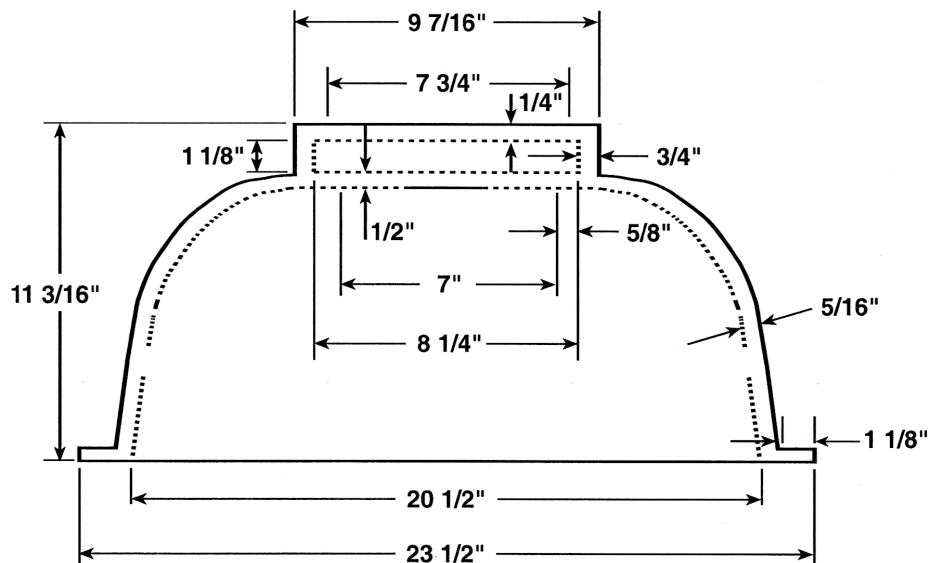
IVB6BSE #6 Valve Box Base Only

IVB160BSE #160 Valve Box Base Only

#6 BASE



#160 BASE



Codes & Approvals

Valve boxes conform to ASTM A-48, Grade 30B; Asphaltic varnish conforms to AWWA C-104.