

- Secondary aspiration plus balanced poppet provides quick response and accurate pressure regulation
- Rolling diaphragm for extended life
- Two high flow 1/4" gauge ports can be used as additional outlets
- Easily serviced
- Removable non-rising knob for panel mounting and tamper resistance
- 06R: 1/4", 3/8" & 1/2" ports (NPT & BSPP)
- 07R: 1/2" & 3/4" ports (NPT & BSPP)

**Material specifications**

Adjusting Stem	Steel
Body	Zinc
Bonnet, piston stem, valve poppet & cap	Plastic
Collar, knob	Plastic
Diaphragm	Nitrile
Seals	Nitrile
Springs – Poppet Control	Stainless Steel



**06R**





**07R**

**Operating information**

	<b>06R (Compact), 07R (Standard)</b>
Pressure rating:	250 PSIG (17.2 bar)
Temperature rating:	32°F to 175°F (0°C to 80°C)
Secondary pressure ranges –	
Standard pressure	2 to 125 PSIG (0 to 8.6 bar)
Medium pressure	1 to 60 PSIG (0 to 4.1 bar)
High pressure	5 to 250 PSIG (0.4 to 17.2 bar)
For technical information see CD	

**Regulators**



	Port size	Pressure range	Flow SCFM	Part number (NPT)	
				Without gauge	With 160 PSI gauge
06R 	1/4"	125 PSIG	53	<b>06R113AC</b>	<b>06R118AC</b>
	3/8"	125 PSIG	60	<b>06R213AC</b>	<b>06R218AC</b>
	1/2"	125 PSIG	75	<b>06R313AC</b>	<b>06R318AC</b>
07R 	1/2"	125 PSIG	90	<b>07R313AC</b>	<b>07R318AC</b>
	3/4"	125 PSIG	90	<b>07R413AC</b>	<b>07R418AC</b>

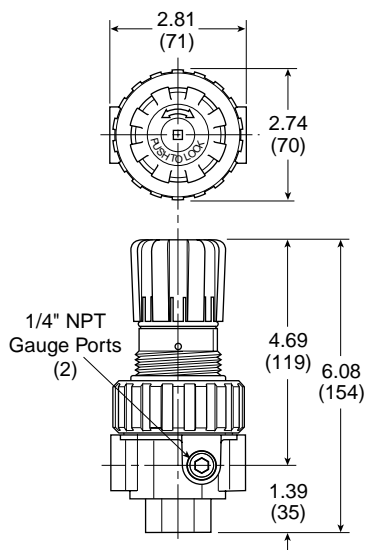
**WARNING**  
 Product rupture can cause serious injury.  
 Do not connect regulator to bottled gas.  
 Do not exceed maximum primary pressure rating.

**CAUTION:**  
**REGULATOR PRESSURE ADJUSTMENT –**  
 The working range of knob adjustment is designed to permit outlet pressures within their full range. Pressure adjustment beyond this range is also possible because the knob is not a limiting device. This is a common characteristic of most industrial regulators, and limiting devices may be obtained only by special design. For best performance, regulated pressure should always be set by increasing the pressure up to the desired setting.

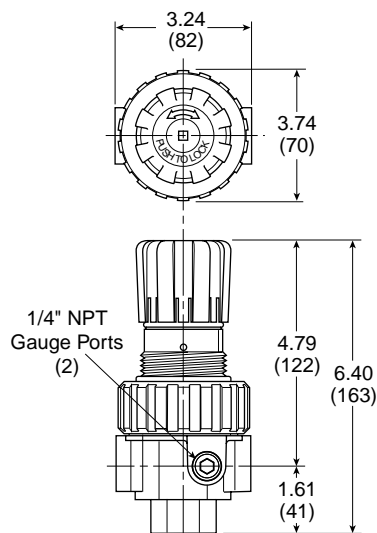
 Most popular.



**06R (Compact)**



**07R (Standard)**



**Service kits**

Description	06R (Compact)	07R (Standard)
Bonnet assembly	<b>PS715P</b>	<b>PS715P</b>
Control knob	<b>P04069B</b>	<b>P04069B</b>
Gauges –		
60 PSIG (0 to 4.1 bar)	<b>K4520N14060</b>	<b>K4520N14060</b>
160 PSIG (0 to 11.0 bar)	<b>K4520N14160</b>	<b>K4520N14160</b>
300 PSIG (0 to 20.0 bar)	<b>K4520N14300</b>	<b>K4520N14300</b>
Mounting bracket kit (Includes panel mount nut)	<b>PS707P</b>	<b>PS807P</b>
Panel mount nut –		
Plastic	<b>P04082</b>	<b>P04079B</b>
Metal	<b>P04082</b>	<b>P04079B</b>
Reverse Flow Service Conversion Kit – Relieving	<b>PS708RP</b>	<b>PS808RP</b>
Springs –		
1-30 PSIG range	<b>P01698</b>	<b>P01698</b>
1-60 PSIG range	<b>P04062</b>	<b>P04062</b>
2-125 PSIG range	<b>P04063</b>	<b>P04063</b>
5-250 PSIG range	<b>P04064</b>	<b>P04064</b>
Tamperproof kit	<b>PS737P</b>	<b>PS7373P</b>

Most popular.



**General Industrial**  
**Air Preparation Products**  
**Liquid Separators**  
**Particulate Filters**  
**Coalescing Filters**  
**Regulators**  
**Pilot Regulators**  
**Filter / Regulators**  
**Micro-Mist Lubricators**  
**Mist Lubricators**  
**Combinations**