

SUBMITTAL SHEET

JOB NAME	ITEM TAG
JOB LOCATION	PART NUMBER
CONTRACTOR	DATE
ENGINEER APPROVAL	DATE

CPVC BALL VALVE W/DRAIN

S-606

EPDM Seat, Seal and Stem O-rings
Lever Operated With Seven-Position Latch
Full-Pattern Wafer-Style Body

150 WOG

Pressure Rating: 150 psi @ 73° F

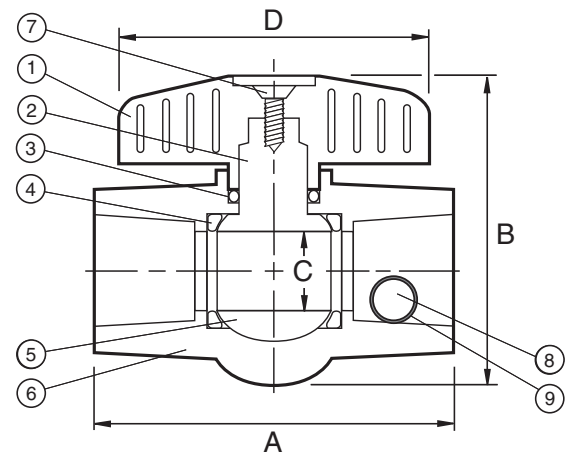
Maximum Service Temperature: 140° F

NSF Approved



MATERIAL SPECIFICATION

PART	MATERIAL	
1 Handle	ABS	Impact Grade
2 Stem	CPVC	ASTM D1784, Class 23447
3 Stem O-Ring	EPDM	
4 Seats	PTFE	Dupont Teflon
5 Ball	CPVC	ASTM D1784, Class 23447
6 Body	CPVC	ASTM D1784, Class 23447
7 Handle Retaining Screw	Zinc Plated Steel	
8 Drain Port	CPVC	ASTM D1784, Class 23447
9 Drain O-Ring	EPDM	



S-606
Cut Away

DIMENSIONS – WEIGHTS – QUANTITIES

Size	A	B	C	D
1/2"	2.69	2.00	0.50	2.38
3/4"	3.25	2.50	0.75	2.81
1"	3.75	3.88	1.00	3.50
1-1/4"	4.19	3.68	1.13	4.00
1-1/2"	4.50	3.81	1.35	4.00
2"	5.69	4.63	1.81	4.31