



Buy it for looks. Buy it for life.®

*There is more than 1 version of this model.  
Page down to identify the version you have.*

**FAUCET DESCRIPTION**

- Metal construction with various finishes identified by suffix
- Flexible supplies with 3/8" compression fittings
- Includes side spray with Hydrolock® quick connect system

**OPERATION**

- Lever style handle
- Temperature controlled by 100° arc of handle travel
- Operates with less than 5 lbs. of force

**FLOW**

- Aerator is limited to 2.2 gpm max (8.3 L/min)

**CARTRIDGE**

- 1255™ Duralast™ cartridge
- Nonmetallic/nonferrous and stainless steel material

**STANDARDS**

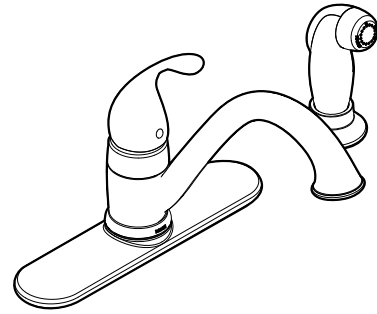
- Third party certified to: ASME A112.18.1/CSA B-125.1, and all applicable requirements referenced therein including NSF61/9
- Contains no more than 0.25% weighted average lead content
- Complies with California Proposition 65 and with the Federal Safe Drinking Water Act

- **ADA**  for lever handle

**WARRANTY**

- Lifetime limited warranty against leaks, drips and finish defects to the original consumer purchaser
- 5 year warranty if used in commercial installations

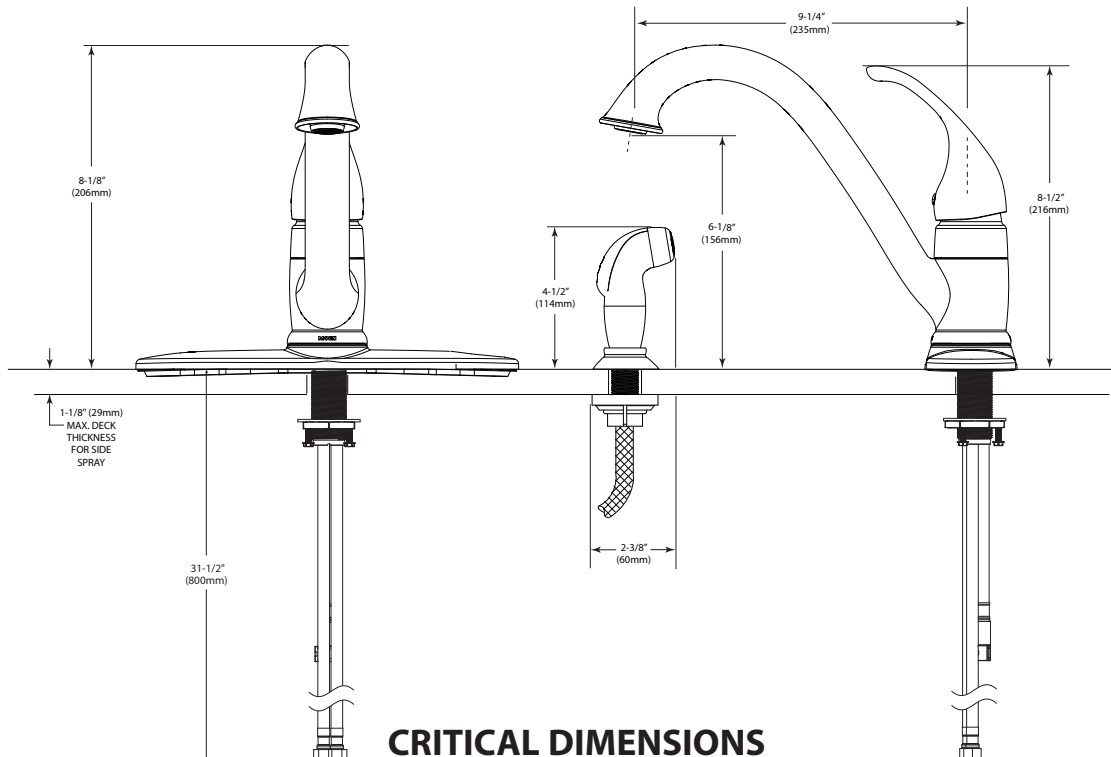
# Specifications



## Camerist™ Single Handle Lever Kitchen Faucet

**Models:** 7840 series  
7825 series (without spray)  
67840 series (bulk pack)

**NOTE:** DESIGNED TO INSTALL THROUGH  
1 HOLE, 1-1/4" (32mm) MIN. DIA. OR 2 HOLES  
1-1/4" (32mm) MIN. DIA. AND 4" ON CENTER



### CRITICAL DIMENSIONS

(DO NOT SCALE)



Buy it for looks. Buy it for life.®

# Specifications

## FAUCET DESCRIPTION

- Metal construction with various finishes identified by suffix
- Inlet shanks will accept 3/8" ball nose connections
- Includes side spray with Hydrolock® quick connect system

## OPERATION

- Lever style handle
- Temperature controlled by 180° arc of handle travel
- Operates with less than 5 lbs. of force

## FLOW

- Aerator is limited to 2.2 gpm max (8.3 L/min)

## CARTRIDGE

- 1225 cartridge design
- Nonmetallic/nonferrous and stainless steel material

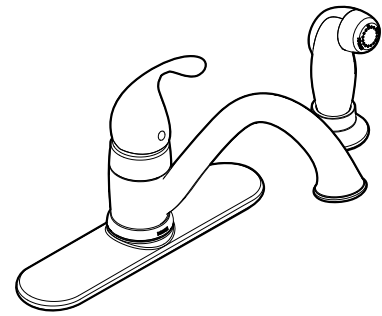
## STANDARDS

- Third party certified to: ASME A112.18.1/CSA B125.1, and all applicable requirements referenced therein.
- Certified to ANSI/NSF 61/9
- Complies with California Proposition 65 and with the Federal Safe Drinking Water Act

- **ADA**  for lever handle

## WARRANTY

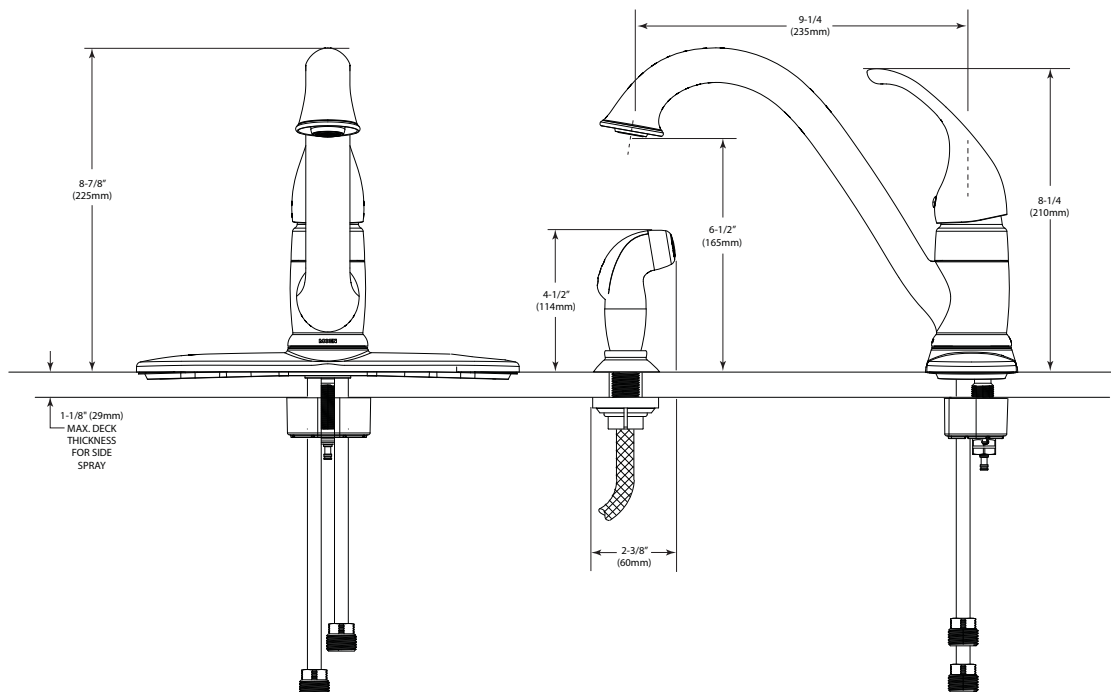
- Lifetime limited warranty against leaks, drips and finish defects to the original consumer purchaser
- 5 year warranty if used in commercial installations



## Camerist™ Single Handle Lever Kitchen Faucet with Protégé® Side Spray

**Models:** 7840 series  
7825 series (without spray)

**NOTE:** DESIGNED TO INSTALL THROUGH  
1 HOLE, 1-1/4" (32mm) MIN. DIA. OR 2 HOLES  
1-1/4" (32mm) MIN. DIA. AND 4" ON CENTER



## CRITICAL DIMENSIONS

(DO NOT SCALE)