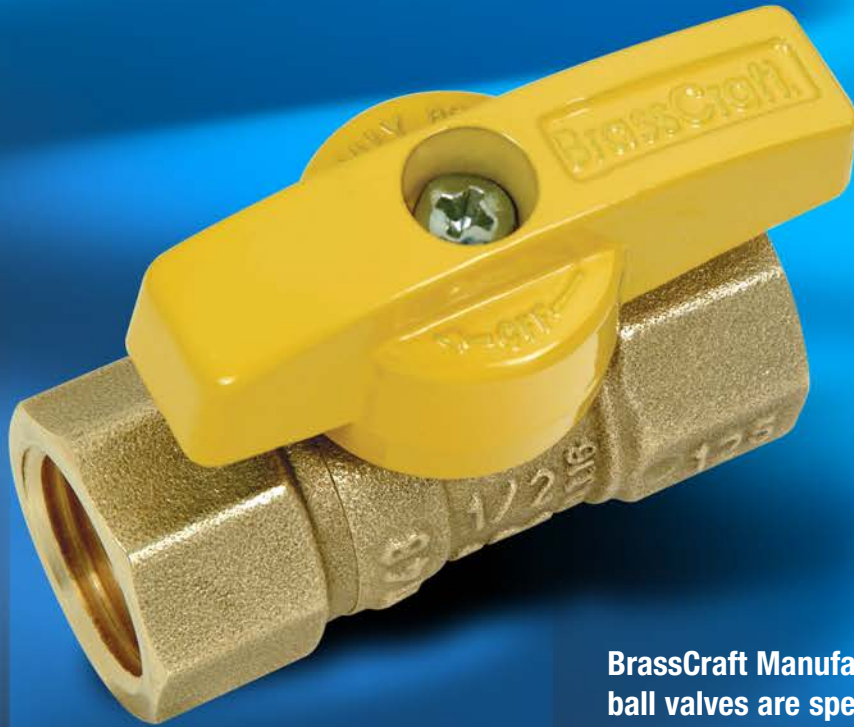


BrassCraft®

Gas Ball Valves

Experience the Difference in Quality,
Performance & Product Innovation



BrassCraft Manufacturing's exclusive line of Italian-made gas ball valves are specially engineered to provide unsurpassed product performance. From the stem to the body to the exclusive handle design, every detail has been master crafted for ease of operation and installation. Each BrassCraft® gas ball valve is manufactured to the industry's highest standards for consistent product quality and superior performance.

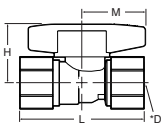


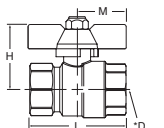
Available in a variety of configurations for use with natural, manufactured, mixed, liquefied-petroleum gases, and LP gas-air mixtures.

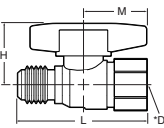
- **FORGED BRASS BODY**
Eliminates pinhole leaks commonly associated with cast products
- **PTFE SEAT RINGS**
Assures a tight seal and easy on & off operation even after long periods of inactivity
- **BLOW-OUT PROOF STEM**
Assembled from the inside with double o-ring protection to ensure safe, reliable performance
- **1/4-TURN OPERATION**
Provides easy on & off flow control
- **COMFORT-FIT GRIP**
An exclusive integration of the 'T' and lever handle designs
- **LARGE WRENCH FLATS**
Makes installation easier
- **100% LEAK TESTED**
- **CSA CERTIFIED**

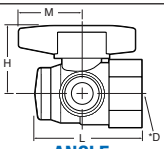


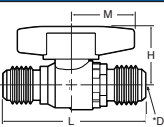
For more details, or to place an order, contact your local BrassCraft Mfg. sales or customer service representative.

Part No.	Part Description	Valve Dimensions (IN)				Flow Rate SCFH	Pack Qty	Master Carton Qty	
		*D	H	L	M				
FIP x FIP									
	TBV8	1/2" FIP x 1/2" FIP	0.39	1.45	2.22	1.30	150,000	10	50
	TBV12	3/4" FIP x 3/4" FIP	0.59	1.70	2.63	1.30	400,000	10	50
	TBV16	1" FIP x 1" FIP	0.79	1.83	2.58	1.30	670,000	6	36

Part No.	Part Description	Valve Dimensions (IN)				**Capacity Btu/Hr (Watts)	Pack Qty	Master Carton Qty	
		*D	H	L	M				
FULL PORT - FIP x FIP									
	TBV12F	3/4" FIP x 3/4" FIP, Full Port 425 WOG	0.79	1.79	2.54	1.30	750,000 (219,802)	6	50

FLARE x FIP									
	TBV6-8	3/8" OD Tube x 1/2" FIP	0.28	1.45	2.30	1.30	50,000 (14,654)	10	50
	TBV6F-8	3/8" OD Tube (9/16 -24 Fine Thread) x 1/2" FIP	0.28	1.45	2.30	1.30	50,000 (14,654)	10	50
	TBV8-8	1/2" OD Tube x 1/2" FIP	0.39	1.45	2.41	1.30	100,000 (29,307)	10	50
	TBV10-8	5/8" OD Tube (15/16 -16 Thread) x 1/2" FIP	0.51	1.50	2.50	1.30	100,000 (29,307)	10	60
	TBV10-12	5/8" OD Tube (15/16 -16 Thread) x 3/4" FIP	0.51	1.50	2.50	1.30	130,000 (38,099)	10	60

ANGLE FLARE x FIP									
	TBVA6-8	3/8" OD Tube x 1/2" FIP	0.28	1.70	1.88	1.30	50,000 (14,654)	10	60
	TBVA8-8	1/2" OD Tube x 1/2" FIP	0.39	1.70	1.88	1.30	100,000 (29,307)	10	60
	TBVA10-12	5/8" OD Tube (15/16 -16 Thread) x 3/4" FIP	0.51	1.70	2.00	1.30	130,000 (38,099)	10	60

FLARE x FLARE									
	TBVF6	3/8" OD Tube x 3/8" OD Tube	0.28	1.45	2.46	1.30	50,000 (14,654)	10	50
	TBVF8	1/2" OD Tube x 1/2" OD Tube	0.39	1.45	2.74	1.30	100,000 (29,307)	10	50

* D = Minimum diameter of gas pathway through valve

** Capacity is determined with .64 specific gravity gas with energy content of 1000 Btu/Cubic Foot (37.7 MJ/M3) at .3 inches water column (75 Pa) pressure drop. Capacities stated above are minimum capacities allowed by ANSI Z21.15 – CSA 9.1. BrassCraft® valves meet or exceed these requirements.

Material Specifications:

- Body - Forged brass
- Retainer - Forged brass
- Ball - Chromium-plated brass
- Seats - PTFE
- Stem - Extruded brass
- O-ring - Viton® (high temperature rubber)*
- Handle - Aluminum
- Screw - Zinc-plated steel

* Viton® is a registered trademark of DuPont Dow Elastomers, L.L.C..

Design-Certified & Manufactured

In Accordance With:

- ANSI Z21.15 – CSA 9.1
- CGA CR91-002
- ANSI / ASME B16.44

Working Pressure /

Operating Temperature

- 1/2 PSI (32°F to 125°F)
- 5 PSI (-40°F to 125°F)
- 5 PSI (32°F to 125°F)

Committed to Quality, Driven by Innovation.



Scan for more information

BrassCraft Manufacturing Co.

39600 Orchard Hill Place
 Novi, Michigan 48375-5331
 TOLL-FREE: (877) 272-7755
 FAX: (248) 305-6011

350 South Edgeware Road
 St. Thomas, Ontario Canada N4P 4C4
 TOLL-FREE: (800) 265-4322
 FAX: (800) 567-9100

For Residential and Commercial Applications

Job Name		Engineer / Architect	
Job Location		Wholesaler	
Submittal Date		Contractor	

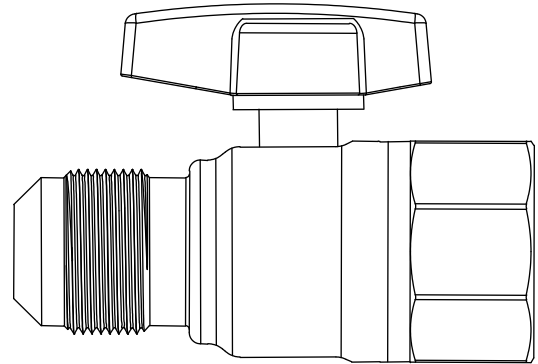
TBV*-* Series Gas Ball Valve – Flare x Female Iron Pipe

Use: For use with natural, manufactured, mixed, liquefied-petroleum (LP) gas, and LP gas-air mixtures.

Note: The National Fuel Gas Code requires a gas shut-off valve installed upstream, within “easy reach” or 6 feet of the gas appliance

Design Features:

- **Heavy duty forged brass body** eliminates pinhole leaks commonly associated with cast products
- **Blow-out proof stem** is assembled from the inside with double o-rings for reliable performance
- **PTFE seat rings** for longer life and consistent performance
- **Right-sized handles** ensure on/off operation even in tight installations
- **Quarter turn operation** for easy on/off flow control
- **Approved** for indoor/outdoor use
- **100% Leak tested**



Operating Specifications:

Temperature: -40° - 150° F
Pressure: 5 PSI maximum

VALVE MATERIAL SPECIFICATIONS	
Body	Forged brass
Retainer	Forged brass
Ball	Brass, chrome plated
Seat	PTFE
Stem	Brass
O-ring	High-temperature rubber
Handle	Aluminum
Screw	Steel, zinc plated

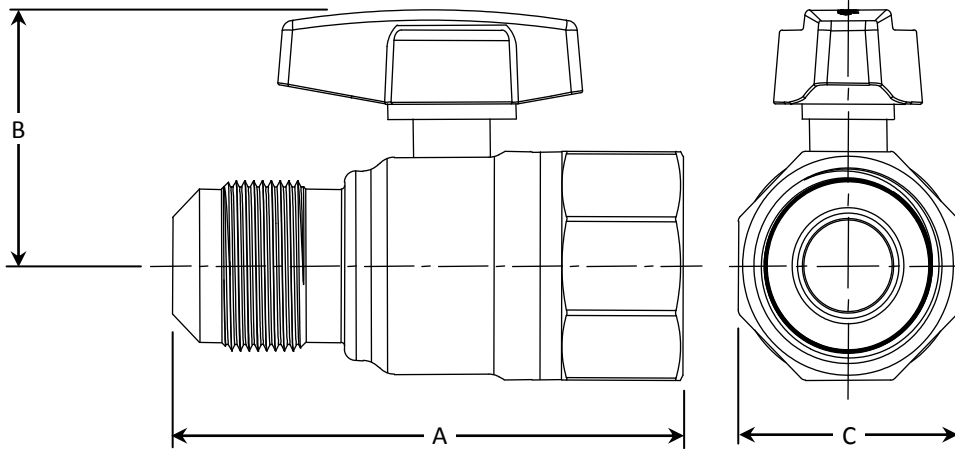
This specification and all information contained herein is the confidential and exclusive property of BrassCraft Manufacturing, and shall not be disclosed to others without the written consent of BrassCraft Mfg. This specification must be returned to BrassCraft Mfg. if requested.



TBV*-* Series Gas Ball Valve – Flare x Female Iron Pipe

Part Listing:

- TBV6-8 3/8" OD flare x 1/2" FIP
- TBV8-8 1/2" OD flare x 1/2" FIP
- TBV10-8 5/8" OD flare (15/16-16 thread) x 1/2" FIP
- TBV10-12 5/8" OD flare (15/16-16 thread) x 3/4" FIP



PART SPECIFICATIONS (Inches)			
Model	DIM. A	DIM. B	DIM. C
TBV6-8	2.28	1.45	.99
TBV8-8	2.42	1.45	.99
TBV10-8	2.49	1.45	.99
TBV10-12	2.90	1.65	1.23

Country of Origin:

Made in Italy

Listings and Certifications:

- CSA listed to ANSI Z21.15/CSA 9.1, ANSI/ASME B16.44 and CGA CR91-002



This specification and all information contained herein is the confidential and exclusive property of BrassCraft Manufacturing, and shall not be disclosed to others without the written consent of BrassCraft Mfg. This specification must be returned to BrassCraft Mfg. if requested.

BrassCraft®