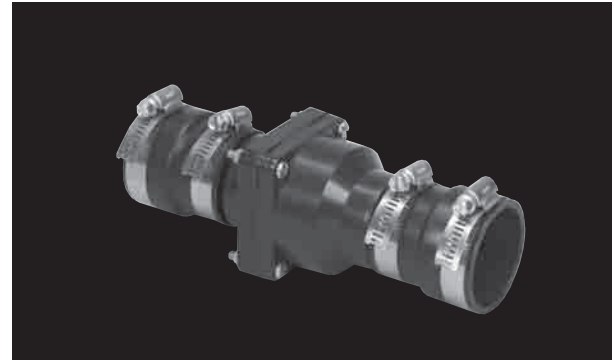


# Sump Pump Check Valves



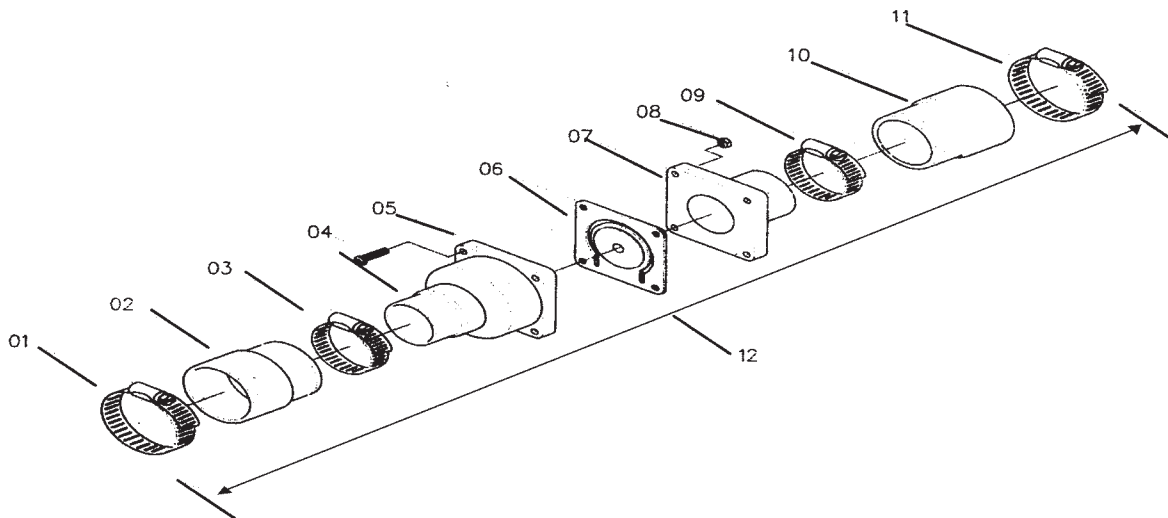
## Product Features

- Easy to install
- Can be installed in vertical or horizontal line
- Flexible rubber slip X slip unions
- Flexible unions slip over PVC, ABS, copper or steel pipe
- Checks back flow of water and sewer gas
- All Stainless Steel clamps
- PVC body
- 125 psi @ 176° F
- All Stainless Steel clamps (torque requirements: 25-40#)



**PFCVJH**

## Product Specifications



	01	02	03	04	05	06	07	08	09	10	11	12	
<b>item No.</b>	<b>Size</b>	<b>S/S Clamp</b>	<b>Rubber Adapter</b>	<b>S/S Clamp</b>	<b>Steel Screw</b>	<b>PVC Body</b>	<b>Steel Screw</b>	<b>PVC Body</b>	<b>Steel Nut</b>	<b>S/S Clamp</b>	<b>Rubber Adapter</b>	<b>S/S Clamp</b>	<b>Overall Length</b>
<b>PFCVJH</b>	1-1/4"X1-1/2"	2-1/2"	ID 1.89"X1.65"	2-1/4"	M 5X1	OD 1.89"X1.65"	M 5X1	ID 1.89"X1.65"	M 5X1	2-1/4"	ID 1.89"X1.65"	2-1/2"	8.15"
<b>PFCVK</b>	2"X2"	3"	ID 2.36"	3"	M 5X1	ID 2.36"	M 5X1	ID 2.36"	M 5X1	3"	ID 2.36"	3"	8.15"

## Warranty and Codes

This PROFLO product carries a 1-year limited warranty.