

LAV GUARD[®]2

Overview

Lav Guard[®] 2 provides the durable, attractive protection Lav Guard is famous for. Built-in fasteners and internal Tear-To-Fit trimming feature eliminate the need for tools, and provide for a clean, tamper-resistant, fast and professional installation. Lav Guard 2 can be installed over cast brass or tubular P-trap assemblies and angle stop assemblies. Lav Guard 2 provides a professional and quick-to-install ADA compliant solution for all public lavatories.

INTERNAL RIB DESIGN MAXIMIZES SAFETY

Lav Guard 2 features a patented internal rib design that increases thermal protection while providing a soft, resilient cushioning.

ANTIMICROBIAL VINYL MINIMIZES MAINTENANCE

Lav Guard 2 is molded from impact-resistant, stain-resistant, antimicrobial vinyl. Its smooth surface makes it exceptionally easy to clean and maintain.

STRICT CODE COMPLIANCE MINIMIZES RISK

Lav Guard 2 complies with ASME A112.18.9-2001, ADA article 4.19.4 (606.5), CABO/ANSI 4.20.4, UFAS 4.19.4, Calif. Title 24, UPC, IPC, ICC, Canada Barrier-Free Code.

LAV GUARD 2 MAKES INSTALLATION FAST & EASY

Tear-To-Fit feature makes trimming fast and contractor friendly—no tools required.

Built-in fasteners are quick, strong, and reusable.

Universal design fits more P-traps and thumb wings on plastic compression nuts.



MADE IN THE USA



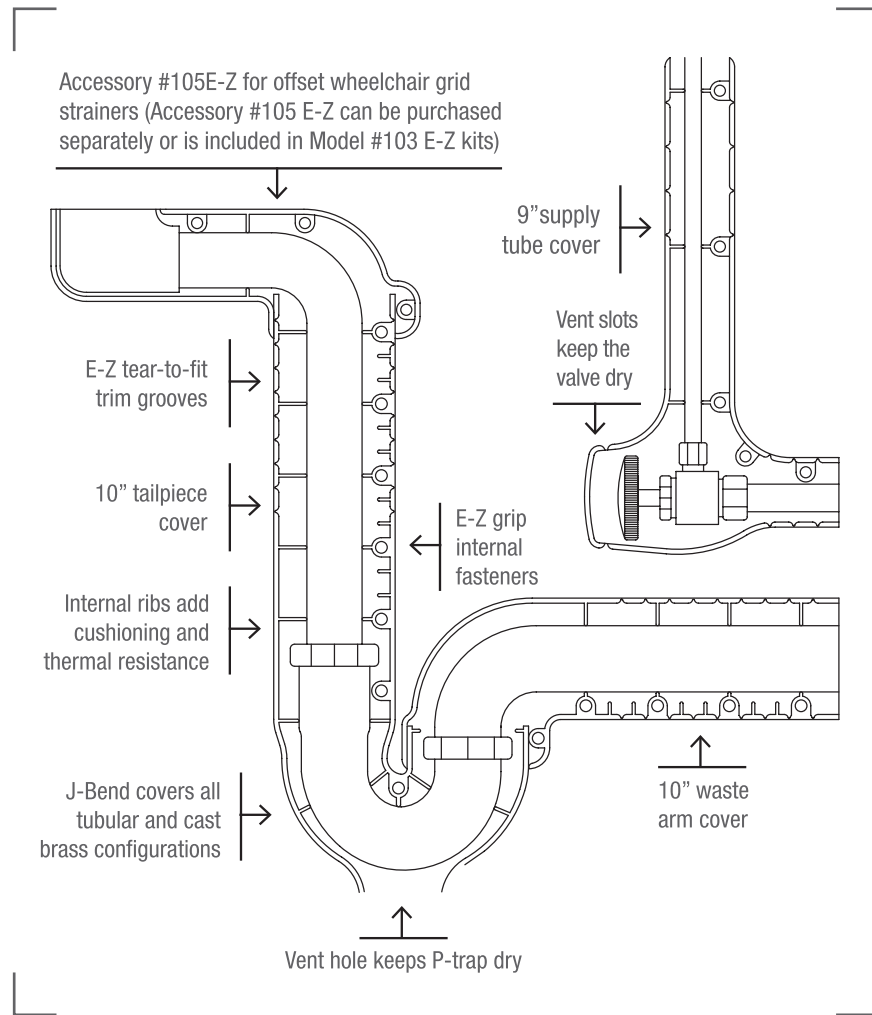
ADA COMPLIANT

IMPROVED, FAST-INSTALLING
ANTIMICROBIAL MOLDED
UNDERSINK SAFETY COVERS FOR
ADA ACCESSIBILITY COMPLIANCE

LAV GUARD® 2 UNDERSINK PIPING COVERS

SPECIFICATIONS

Material	Soft, resilient molded vinyl
Nominal Wall	1/8" constant with internal ribs
Durometer	70-80 — Shore A
UV Protection	Will not fade or discolor
Durability	Virtually indestructible
Trimming (E-Z Series)	Internal E-Z Tear-To-Fit trim feature
Fasteners (E-Z Series)	Internal E-Z Grip fasteners, reusable
Color	China white
Compatibility #100 Series	Fits all 1-1/4" or 1-1/2" cast brass or tubular P-trap assemblies and 3/8" or 1/2" angle stop assemblies
Compatibility #400* Series	Fits all 1-1/2" schedule 40 plastic P-traps
Paintability	Apply latex paint
Burning Characteristics ASTM D-635	Self extinguished 0 sec (ATB) mm (AEB)
Bacteria/Fungus Resistance	ASTM G21 and G22 — Result: 0 growth
Maintenance	Wipe clean using common detergents



UNDERSINK PIPING COVERS

LAV GUARD[®]2

Two-step Installation

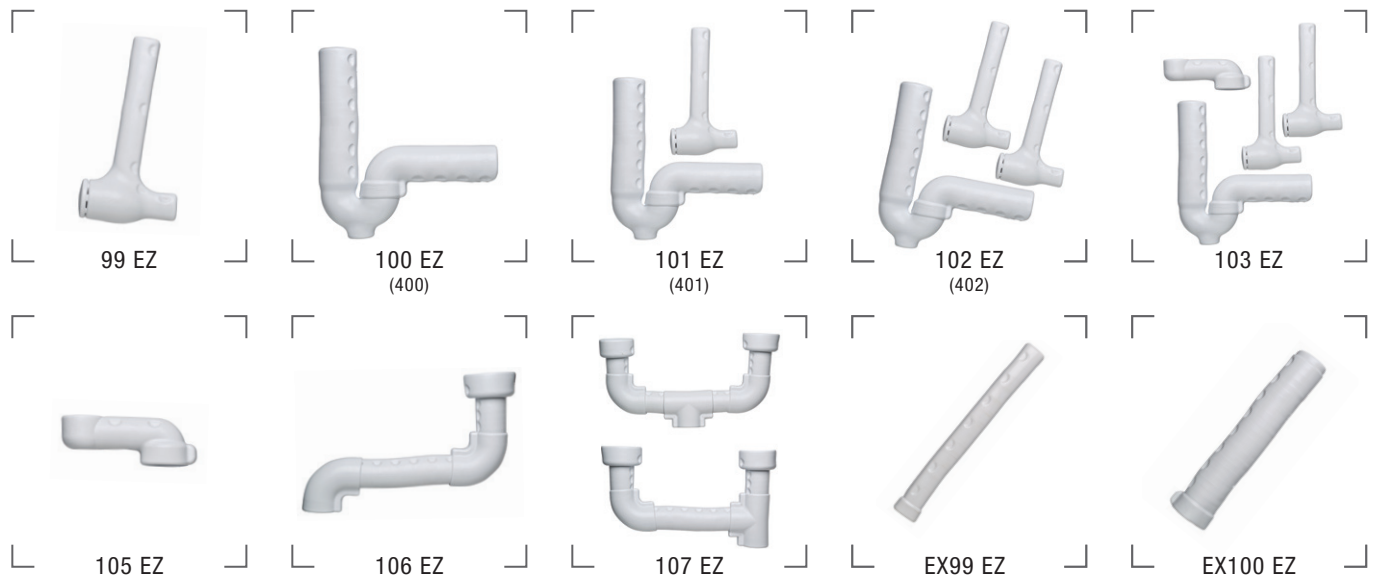


STEP 1
Tear-To-Fit on internal, dimensioned tear lines for quick, clean, accurate trimming to fit virtually any piping configuration. Covers flex to install over pipes.



STEP 2
Press seams together at finger recesses to engage internal fasteners for a secure, safe, tamper-resistant installation. To remove cover, firmly pull seam apart using a strong grip. To reinstall, press seams back together.

LAV GUARD® 2 UNDERSINK PIPING COVERS



MODELS AVAILABLE

PRODUCT	DESCRIPTION	MODEL	UNITS/CASE
100 Series - Fits all 1¼" or 1½" cast brass or tubular P-trap assemblies and ¾" or ½" angle stop assemblies			
82188	One angle valve and supply cover	99 E-Z	15
82190	One P-trap cover	100 E-Z	15
82192	One P-trap cover, one angle valve and supply cover	101 E-Z	15
82193	One P-trap cover, two angle valve and supply covers	102 E-Z	15
82194	One P-trap cover, two angle valve and supply covers, one 5" offset tailpiece wheelchair strainer cover	103 E-Z	15
400 Series - Fits all 1½" Schedule 40 Plastic P-traps			
82199	One P-Trap Cover	400	15
82200	One P-Trap Cover, One angle Valve and Supply Cover	401	15
82201*	One P-Trap Cover, Two angle Valve and Supply Cover	402	15
ACCESSORIES			
82195	One 5" offset tailpiece wheelchair strainer assembly	105 E-Z	15
82196	Kohler 6" offset	105K	15
82197	One basket strainer cover and offset waste cover (adjustable to 18")	106 E-Z	15
82198	Two basket strainer covers and center or end outlet waste cover (adjustable)	107 E-Z	15
EXTENSIONS			
82189	One 14" extension for water supply	EX99 E-Z	15
82191	One 14" extension for drain waste arm or tailpiece	EX100 E-Z	15

*105 EZ can be used in conjunction with the 400 series if a tailpiece is required..

Manufactured under one or more of the following U.S. or Canadian patents. Other patents pending.
7,032,615; 7,264,431; 8,196,612; 2,482,548

