

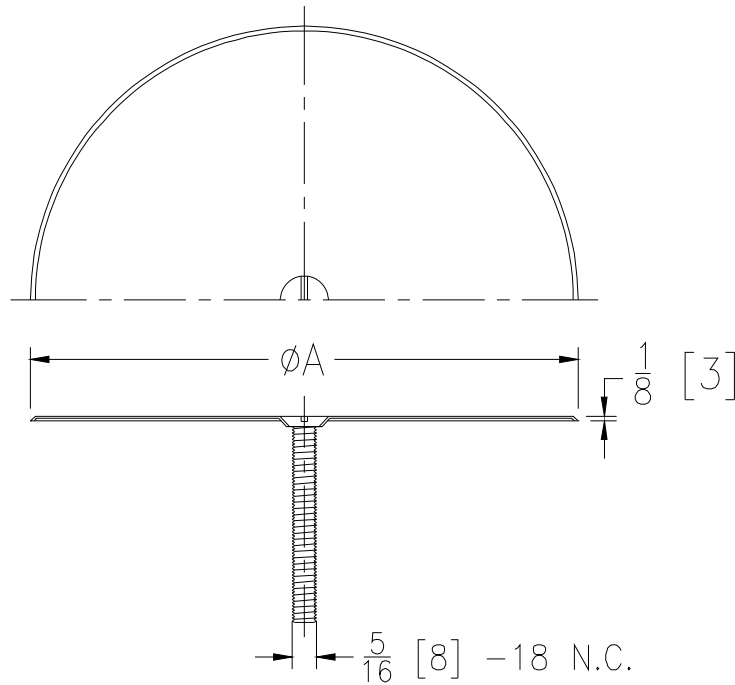


**Z1469**  
ROUND ACCESS COVER

SPECIFICATION SHEET

TAG \_\_\_\_\_

Dimensional Data (inches and [ mm ]) are Subject to Manufacturing Tolerances and Change Without Notice



Product Designation	A Cover Dia. IN [mm]	Nominal Pipe Size	Approx. Wt. Lbs. [kg]
-4	4 [102]	2, 3, 3-1/2 [51, 76, 89]	1 [.5]
-5	5 [127]	2, 3, 3-1/2 [51, 76, 89]	1 [.5]
-7	7 [178]	4, 5 [102, 127]	2 [1]
-9	9 [229]	6 [152]	3 [1.5]
-11	11 [279]	8 [203]	4 [2]

**ENGINEERING SPECIFICATION: ZURN ZS1469**  
Round stainless steel access cover complete with securing screw.

**OPTIONS** (Check/specify appropriate options)

**PREFIXES**

- \_\_\_ ZAB Bronze Polished Cover
- \_\_\_ ZS Stainless Steel Polished Cover\*

**SUFFIXES**

- \_\_\_ -SL Screw Longer Than 3-1/2 [89]
- \_\_\_ -VP Vandal-Proof Screw

\* Regularly furnished unless otherwise specified.