

# Class 125 Iron Body Check Valves

Bolted bonnet • horizontal swing • renewable seat and disc\*

**200 PSI/13.8 bar non-shock cold working pressure to -20°F to 150°F/-29°C to 66°C\***

**Maximum working temperature 450°F/232°C at 125 PSI/8.6 bar**

**125 PSI/8.6 bar saturated steam to 353°F/178°C**

CONFORMS TO MSS SP-71 TYPE 1

## MATERIAL LIST

PART	SPECIFICATION
1. Body Bolt	Steel ASTM A307
2. Identification Plate	Aluminum
3. Bonnet	Cast Iron ASTM A126 Class B
4. Body Gasket	Synthetic Fibers
5. Body Nut	Steel ASTM A563
6. Side Plug	Brass ASTM B16 Alloy C36000
7. Hanger Pin	Brass ASTM B16 Alloy C36000
8. Hanger	Ductile Iron ASTM A536
9. <sup>1</sup> Disc	Brass ASTM B584 Alloy C84400 or ASTM A536 Ductile Iron with Brass Face Ring
10. Seat Ring	Brass ASTM B584 Alloy C84400
11. Disc Nut	Brass ASTM B16 Alloy C36000
12. Body	Cast Iron ASTM A126 Class B
13. <sup>1</sup> Disc Bolt	Brass ASTM B16 Alloy C36000
14. Disc Plate**	Cast Iron ASTM A126 Class B
15. Disc Cage**	Cast Iron ASTM A126 Class B

12" thru 4" have Bronze ASTM B584 Disc.

5" thru 12" have Iron Disc with Bronze Disc Face Rings and Disc Bolt.

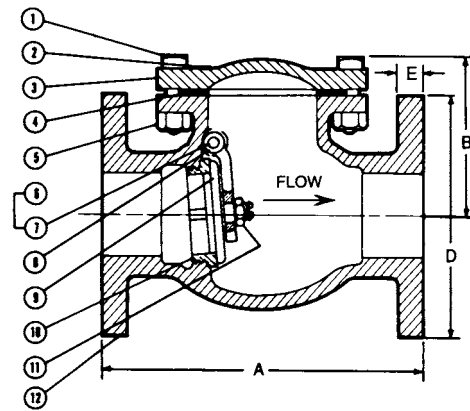
\*\*These items are not in the -B, only the -W and -Y.



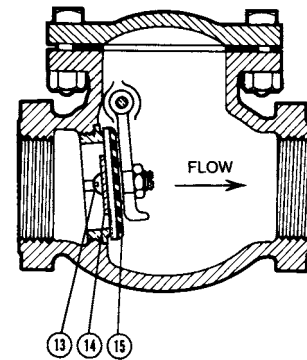
**F-918-B**  
Flanged



**T-918-B**  
Threaded



**F-918-B**  
Flg x Flg



**T-918**  
NPT x NPT  
Buna-N Disc Shown

## DIMENSIONS—WEIGHTS—QUANTITIES

### Dimensions

Size	F-918-B		T-918-B		B	D	E	F-918-B		T-918-B					
	A	A	A	A				Lbs.	Kg.	Lbs.	Kg.				
2	50	8.00	203	6.50	165	3.94	100	6.00	152	.63	16	24	11	15	7
2½	65	8.50	216	7.50	191	4.50	114	7.00	178	.69	17	35	16	26	12
3	80	9.50	241	8.00	203	5.13	130	7.50	191	.75	19	47	21	31	14
4	100	11.50	292	9.38	238	6.13	156	9.00	229	.94	24	80	36	54	24
5	125	13.00	330	x	x	6.81	173	10.00	254	.94	24	100	45	80	36
6	150	14.00	356	x	x	8.00	203	11.00	279	1.00	25	146	66	121	54
8	200	19.50	495	x	x	9.44	240	13.50	343	1.13	29	274	124	x	x
10	250	24.50	622	x	x	12.06	306	16.00	406	1.19	30	426	193	x	x
12	300	27.50	699	x	x	16.13	410	19.00	483	1.25	32	675	306	x	x

Note: On pump discharge, the preferred check valves are:

- inline, spring assisted, center-guided, lift checks
- spring assisted twin (double) disc
- swing design with lever and weight or lever and spring

\*Proper machining facilities required.

x = Not available this size.

2½" thru 12" are available with lever and weight or lever and spring.

Install 5 pipe diameters minimum downstream from pump discharge or changes in direction to avoid flow turbulence. Flow straighteners may be required in extreme cases.

NIBCO Iron Body Check Valves may be installed in both horizontal and vertical lines with upward flow or in any intermediate position.

Warning – Do Not Use For Reciprocating Air Compressor Service.

Visit our website for the most current information.

VISIT [WWW.NIBCO.COM](http://WWW.NIBCO.COM) FOR CURRENT CHEM-GUIDE AND GALVANIC POTENTIAL IN PIPING SYSTEMS INFORMATION.

◆ For detailed Operating Pressure, refer to Pressure Temperature Chart on page 114.