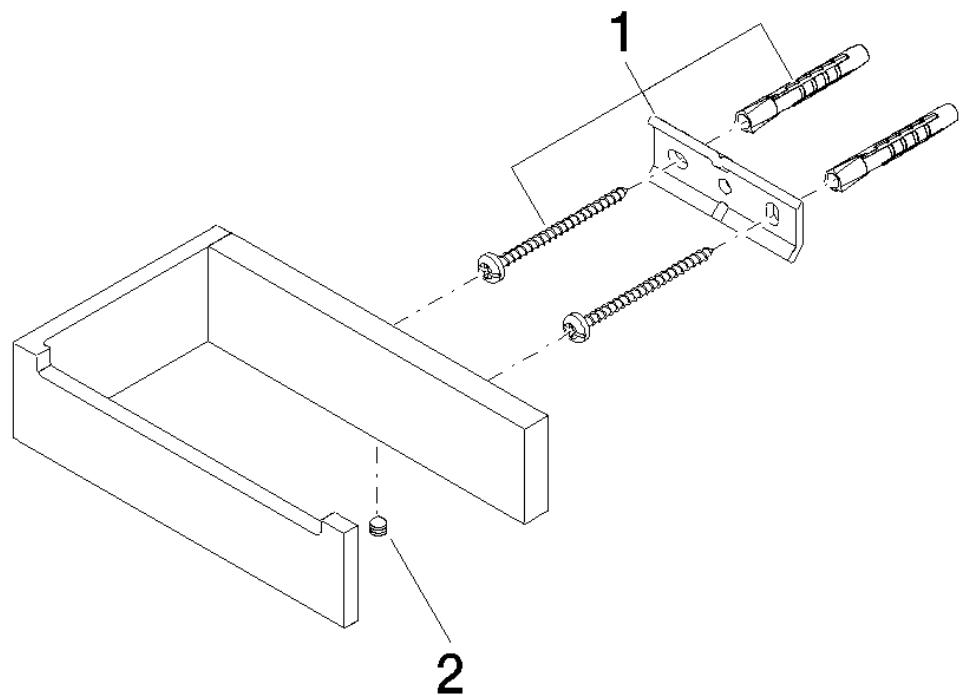


WC - MEM

Tissue holder without cover

Article number: 83 500 780-08



Spare parts list

Position	Quantity used	Item Number	Spare part	Delivery time
1	1	05 17 20 718 00 90	fixing set	2
2	1	04 31 11 112 00 90	pin	60