

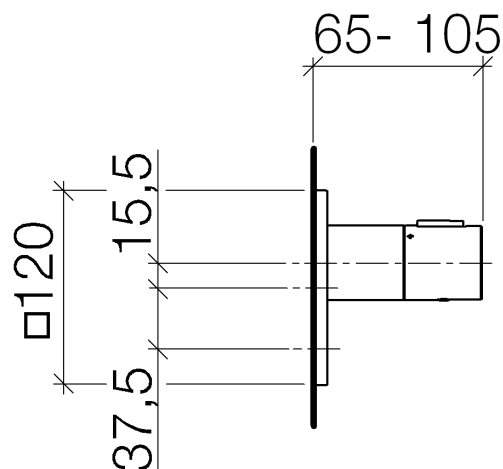


### Product specifications

#### Exposed trim parts only, rough to be ordered separately

- Flange 4 3/4 x 4 3/4"
- Temperature control handle with safety lock 100.4 °FC / 40°C
- For use with xTOOL thermostat module with 2 and 3 valves

Further valves can be connected



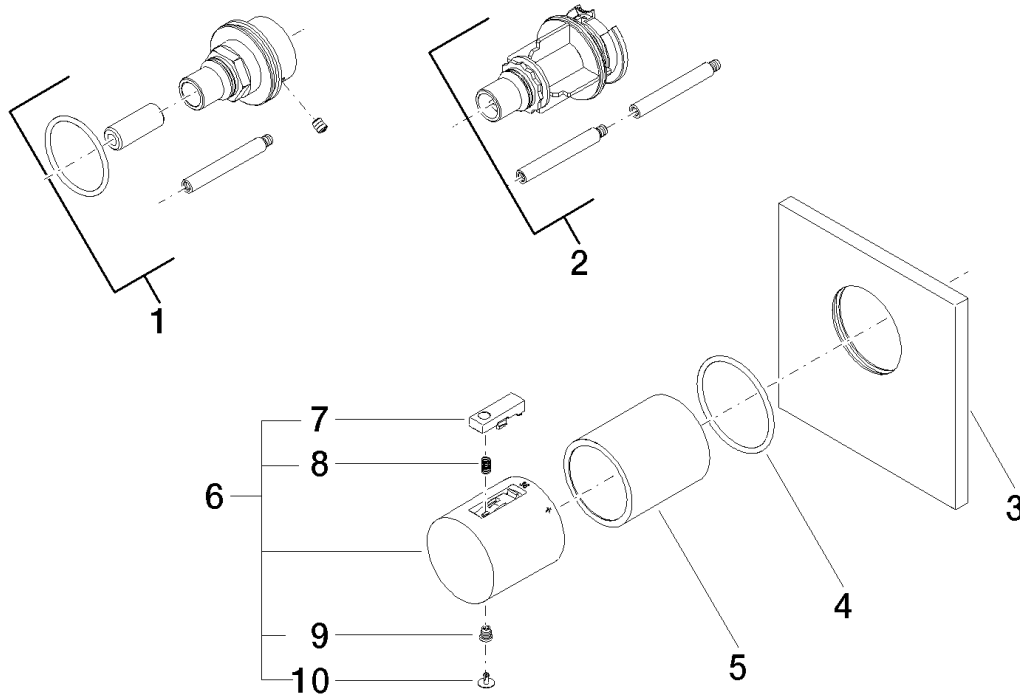
### Surfaces

- |                 |             |
|-----------------|-------------|
| • chrome        | 36416780-00 |
| • matt platinum | 36416780-06 |
| • matt black    | 36416780-33 |

### Accessories required

- Rough for xTOOL thermostat without volume control; 35517970

**Exploded assembly drawing**



**Order quantity**

<b>No.</b>	<b>Article number</b>	<b>Name</b>	<b>Installation quantity</b>
<b>1</b>	1217797090	Extension 28mm Thermostat xTOOL (concealed rough parts)	1
<b>2</b>	1217897090	extension	1
<b>3</b>	091102196ff	cover	1
<b>4</b>	09141004990	seal	1
<b>5</b>	092102112ff	sleeve	1
<b>6</b>	04173300401ff	handle	1
<b>7</b>	092133010ff	handle	1
<b>8</b>	09160202790	spring	1
<b>9</b>	09303013690	screw	1
<b>10</b>	093120049ff	plug	1

