

LITTLE GIANT SEWAGE ACCESSORIES & INSTRUCTIONS FOR TYPICAL INSTALLATION

ASSEMBLY INSTRUCTIONS FOR PREMIUM SIMPLEX SYSTEMS

PRE-PACKAGED UNIT:

Verify all parts with basin and cover assemblies are received intact. The flanges provided will allow the following discharge/vent combinations to be used: 3" discharge/2" vent, or a 2" discharge/2" vent, depending on cover configuration. Please note that basin should be backfilled with cover secured on basin to ensure that cover holes will align properly.

1. Remove bolts and washers in cover and set aside.
2. Remove gasket material from hardware kit and place material around circumference of basin inside of bolt circle.
3. Place the pump on a flat surface and install the discharge pipe in the discharge of the pump.
4. Install float switch 4" above discharge of pump with a 3-1/2" tether length. Float switch should be installed in a manner that will not allow it to contact the pump or side of basin during operation. Refer to float switch instruction manual for alternative settings. Place the pump in the basin in the torque stops.
5. To install the cover, pull the pump and float cords through the smallest hole in the cover. Place the cover on the basin, making sure the discharge pipe is through the proper hole in the cover. (Holes are labeled on bottom of cover.) Secure the lid to the basin using the bolts and washers provided. Place the larger, square-cut O-ring on discharge pipe, beveled edge down. Install flange and tighten bolts. Place the remaining O-ring in the bottom of the vent flange with beveled edge down. Install flange and tighten bolts.
6. Pull the slack out of the cords and install them through the grommet 1-2 inches above the cover. Press the grommet in the hole in the cover.
7. Install a 2" vent pipe by threading it on the vent flange. Make sure the flange bolts are tight.

PRE-ASSEMBLED UNIT:

The pre-assembled unit is furnished fully assembled and ready for installation. Remove check valve or ball/check valve from discharge pipe and re-install as shown on typical installation. **CAUTION:** For best performance of check valves when handling solids, install in a horizontal position or at an angle of not more than 45°. Do not install check valve in a vertical position, as solids may settle in valve and prevent opening on start-up. Remove the cord from the vent hole and install the vent pipe. See Figure 1 to complete a typical installation.

To test the unit, plug the unit in and run water into the basin until the unit switches on. If the unit does not operate, refer to the troubleshooting information in the instructions for the pump.

REPLACEMENT PARTS LIST			
ITEM	PART NO.	DESCRIPTION	QTY.
1	113093	Basin, 24" x 24"	1
	113095	Basin, 20" x 30"	1
2	113057	Cover, 1-piece, slip-fit flanges, foam, 3V2D, 2V3D, or 2V2D	1
	11318000	Cover, 1-piece, bolt-on flanges, foam, 2V2D	1
	113181	Cover, 1-piece, bolt-on flanges, foam, 2V3D	1
	113182	Cover, 1-piece, bolt-on flanges, foam, 3V2D	1
	113183	Cover, 1-piece, bolt-on flanges, foam, 3V3D	1
	113184	Cover, 2-piece, bolt-on flanges, foam, 2V2D	1
	113185	Cover, 2-piece, bolt-on flanges, foam, 2V3D	1
	113186	Cover, 2-piece, bolt-on flanges, foam, 3V2D	1
113187	Cover, 2-piece, bolt-on flanges, foam, 3V3D	1	
2A	113214	Discharge flange kit, 2"	1
	113216	Discharge flange kit, 3"	1
2B	113215	Vent flange kit, 2" (threaded)	1
2C	925024	Grommet, 2" pipe	1
2D	113341	Grommet, 3" pipe	1
2E	113418	Grommet, reducer 3" to 2" pipe	1
2F	N/A	Grommet, 2-hole	1
3	113423	Discharge pipe, 2"	1
	113424	Discharge pipe, 3"	1
4	940022	Swing check valve, 2"	1
	940023	Swing check valve, 3"	1
	940026	Swing check/ball valve combo, 2"	1
5	513288	HWAB tank alert, indoor only (not shown)	1
	513273	303HWXT tank alert, indoor/outdoor (not shown)	1

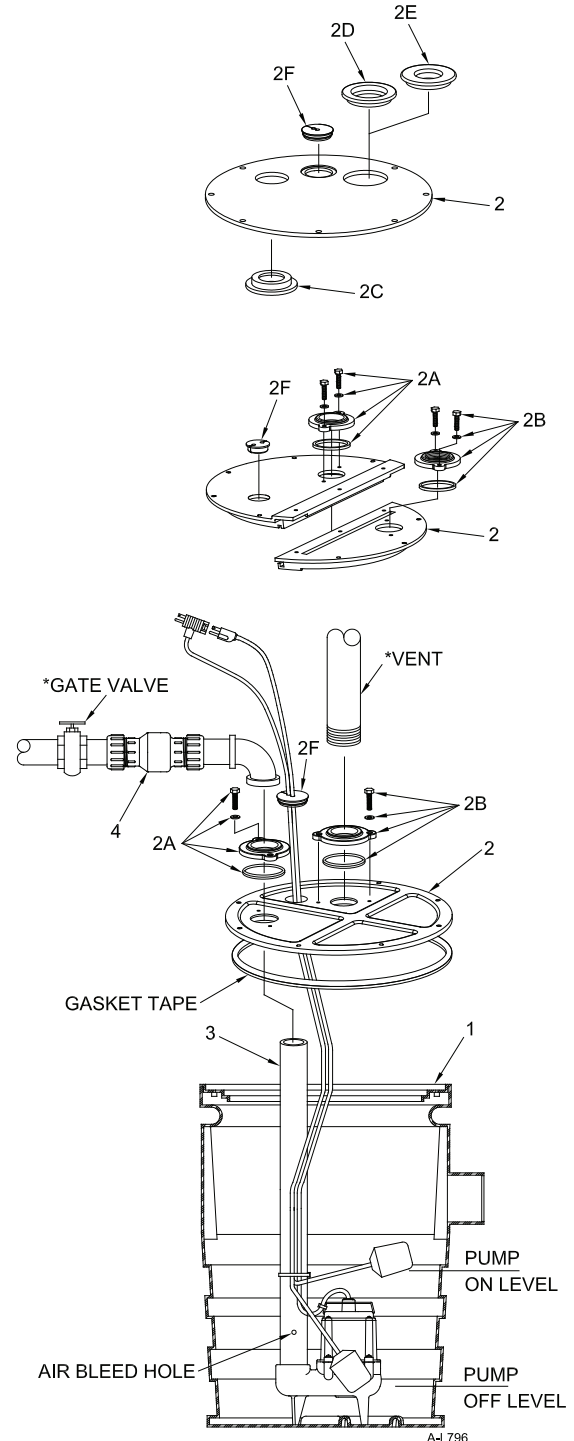


Figure 1 - Typical Installation