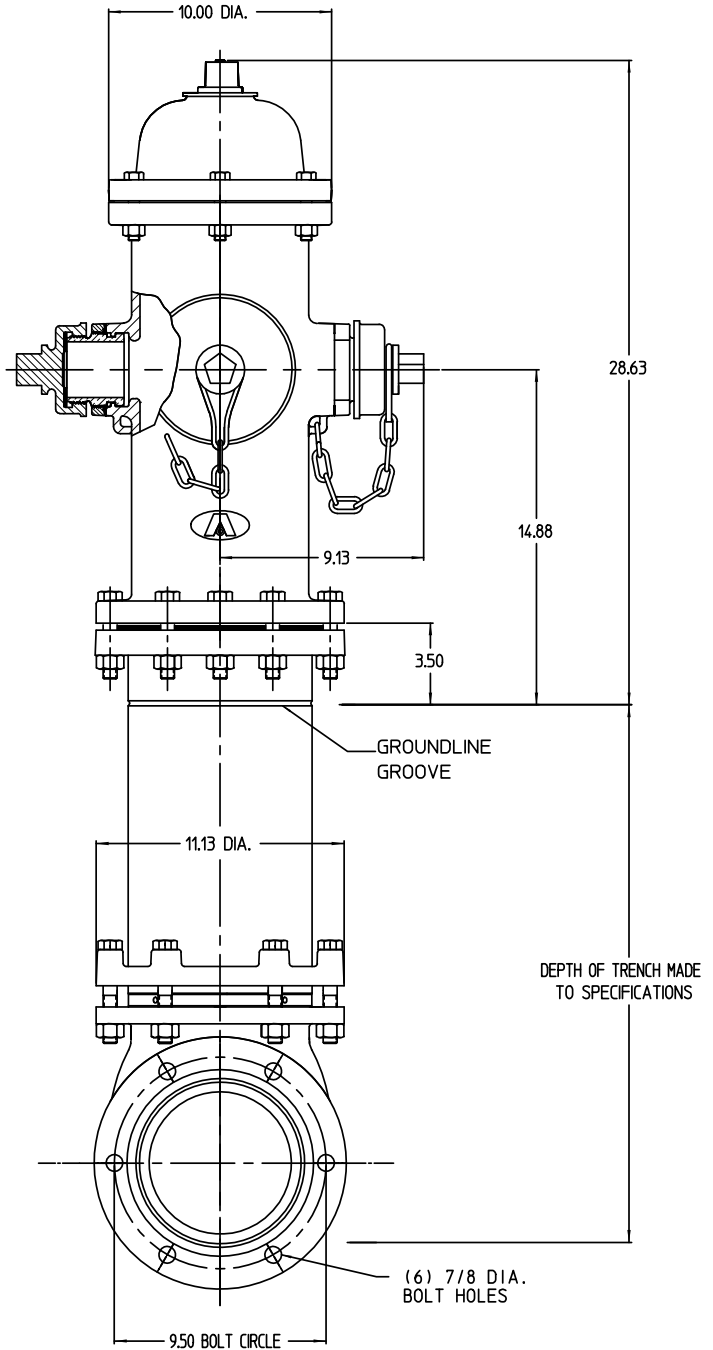
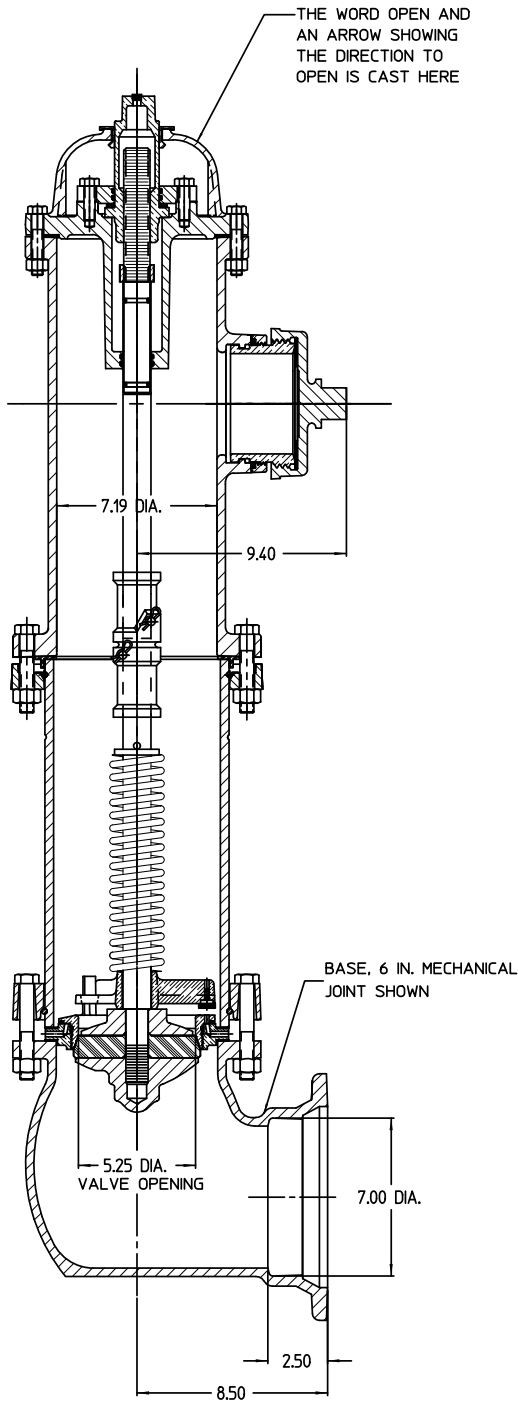


# AMERICAN Flow Control Submittal Information

## 5-1/4 AMERICAN-DARLING® B-62-B-5 TRAFFIC MODEL FIRE HYDRANT



91-21442

### NOTES

1. Size and shape of operating nut and nut on caps, threading on nozzles and caps and the direction of opening made to specifications.
2. Cap chains are not furnished unless specified.
3. Bolts and nuts are rustproof steel ASTM A307 or equivalent, in accordance with AWWA C502.
4. Working pressure 200 psig, test pressure 400 psig.
5. Hydrant conforms to AWWA standard C502.
6. UL Listed and Approved by FM Approvals at 200 psig in allowable configurations.
7. Valve top, valve bottom and base coated with fusion-bonded epoxy coating in accordance with ANSI/AWWA C550.
8. Certified to NSF/ANSI/CAN 61 and NSF/ANSI/CAN 372.
9. Nominal turns to open is 24-1/2.



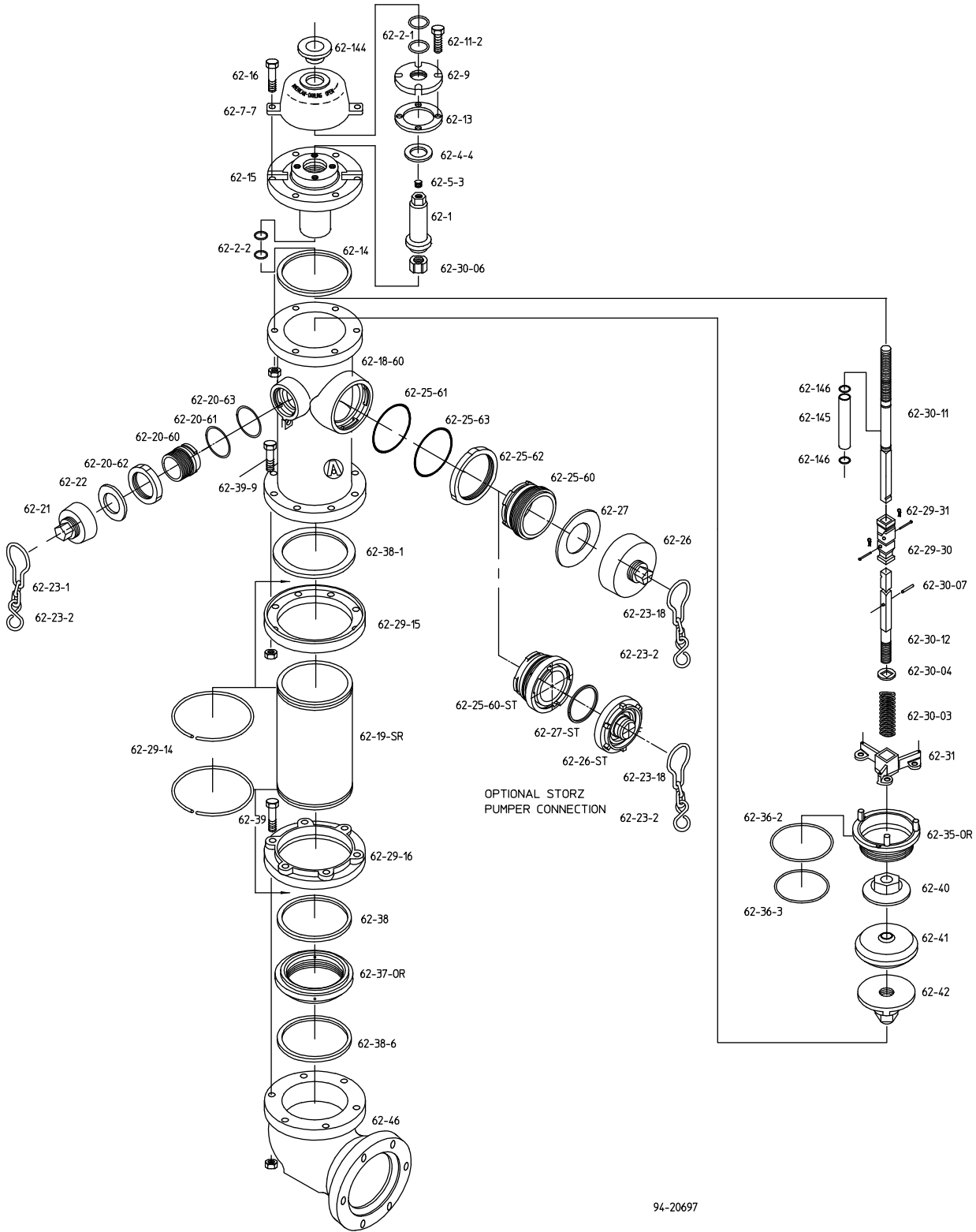
**AMERICAN**  
FLOW CONTROL

THE RIGHT WAY

AMERICAN Flow Control  
P.O. Box 2727  
Birmingham, Al. 35202-2727  
Phone: 800-326-8051  
Fax: 800-610-3569  
Email: afcsales@american-usa.com

Waterous Company  
125 Hardman Avenue South  
South St. Paul, Mn. 55075-1191  
Phone: 888-266-3686  
Fax: 800-601-2809  
Email: afcsales@american-usa.com

[WWW.AMERICAN-USA.COM](http://WWW.AMERICAN-USA.COM)



94-20697



**AMERICAN**  
FLOW CONTROL

**THE RIGHT WAY**

AMERICAN Flow Control  
P.O. Box 2727  
Birmingham, Al. 35202-2727  
Phone: 800-326-8051  
Fax: 800-610-3569  
Email: afcsales@american-usa.com

Waterous Company  
125 Hardman Avenue South  
South St. Paul, Mn. 55075-1191  
Phone: 888-266-3686  
Fax: 800-601-2809  
Email: afcsales@american-usa.com

[WWW.AMERICAN-USA.COM](http://WWW.AMERICAN-USA.COM)

Ref. No.	Qty.	Description	Material
61-1	1	Operating Nut	Bronze ASTM B763 UNS C84400
62-2-1	2	Cover O-Ring	Buna N
62-2-2	2	Housing O-Ring	Buna N
62-4-4	1	Thrust Washer	Nylatron
62-5-3	1	Pipe Plug	Stainless Steel
62-7-7	1	Weather Cover	Gray Iron ASTM A126 Class B
62-9	1	Housing Cover	Gray Iron ASTM A126 Class B
62-11-2	4	Cover Cap Screws	See Note 3
63-13	1	Cover Gasket	Fiber
62-14	1	Housing Gasket	EPDM Rubber
62-15	1	Housing	Ductile Iron ASTM A536 Grade 65-45-12
62-16	6	Housing Bolts & Nuts	See Note 3
62-18-60	1	Upper Barrel	Ductile Iron ASTM A536 Grade 65-45-12
62-19-SR	1	Lower Barrel	Ductile Iron AWWA C151 Grade 60-42-10
62-20-60	2	Hose Nozzle	Bronze ASTM B763 UNS C87600
62-20-61	2	Hose Nozzle Seal	Buna N
62-20-62	2	Hose Nozzle Retainer	Ductile Iron ASTM A536 Grade 65-45-12
62-20-63	2	Hose Nozzle Retainer Washer	Teflon
62-21	2	Hose Cap	*See Below
62-22	2	Hose Cap Gasket	Rubber
62-23-1	2	Hose Cap Chain with S-Hook	Steel
62-23-2	3	S-Hook	Steel
62-23-18	1	Pumper Cap Chain with S-Hook	Steel
62-25-60	1	Pumper Nozzle	Bronze ASTM B763 UNS C86700
62-25-60-ST	1	Storz Nozzle	Bronze/Aluminum
62-25-61	1	Pumper Nozzle Seal	Buna N
62-25-62	1	Pumper Nozzle Retainer	Ductile Iron ASTM A536 Grade 65-45-12
62-25-63	1	Pumper Nozzle Retainer Washer	Teflon
62-26	1	Pumper Cap	*See Below
62-26-ST		Storz Nozzle Cat	Aluminum
62-27	1	Pumper Cap Gasket	Rubber
62-27ST	1	Storz Cap Gasket	Rubber
62-29-14	2	Snap Ring	Stainless Steel
62-29-15	1	Breakable Flange	Ductile Iron ASTM A536 Grade 65-45-12
62-29-16	1	Base Flange	Ductile Iron ASTM A536 Grade 65-45-12

\*National Standard and other common cap configurations are constructed of ASTM A536 Grade 65-45-12 ductile iron. Other offerings may be constructed of ASTM A126 Class B gray cast iron.

Ref. No.	Qty.	Description	Material
62-29-30	1	Rod Coupling	Gray Iron ASTM A126 Class B
62-29-31	2	Rod Coupling Pin & Clip Pin	Stainless Steel
62-30-03	1	Hydrant Spring	Stainless Steel
62-30-04	1	Spring Plate	Stainless Steel
62-30-06	1	Travel Stop Nut	Bronze ASTM B283 UNS C37700
62-30-07	1	Spring Plate Pin	Stainless Steel
62-30-11	1	Upper Rod	Steel
62-30-12	1	Lower Rod	Steel
62-31	1	Drain Lever	Bronze ASTM B584 UNS C92200
62-35-OR	1	Hydrant Seat	Bronze ASTM B584 UNS C92200
62-36-2	1	Seat O-Ring-Outside	Buna N
62-36-3	1	Seat O-Ring-Inside	Buna N
62-37-OR	1	Drain Ring	Bronze ASTM B763 UNS C87600
62-38	1	Drain Ring Gasket	Composition Rubber
62-38-1	1	Barrel Gasket	EPDM Rubber
62-38-6	1	Base Gasket	Composition Rubber
62-39	6	Base Bolts & Nuts	0304 Stainless Steel
62-39-9	8	Barrel Bolts & Nuts	See Note 3
62-40	1	Valve Top	Gray Iron ASTM A126 Class B
62-41	1	Hydrant Valve	EPDM Rubber
62-42	1	Valve Bottom	Gray Iron ASTM A126 Class B
62-46-2	1	Flanged Base	Ductile Iron ASTM A536 Grade 65-45-12
62-46-2A	1	Flanged Vertical Entry Base	Ductile Iron ASTM A536 Grade 65-45-12
62-46-5	1	Mechanical Joint Base	Ductile Iron ASTM A536 Grade 65-45-12
62-46-PE	1	Mechanical Joint Plain End Base	Ductile Iron ASTM A536 Grade 65-45-12
62-46-TY	1	TYTON® Base	Ductile Iron ASTM A536 Grade 65-45-12
62-144	1	Weather Shield	Rubber
62-145	1	Rod Sleeve	Bronze
62-146	2	Rod Sleeve O-Ring	Buna N

Hydrants are furnished as "Draining" unless optional "Non-Draining" Configuration is otherwise noted below.

Optional "Non-Draining" Configuration required

Open Direction  Left(C.C.W.)  Right(C.W.)



**AMERICAN**  
FLOW CONTROL

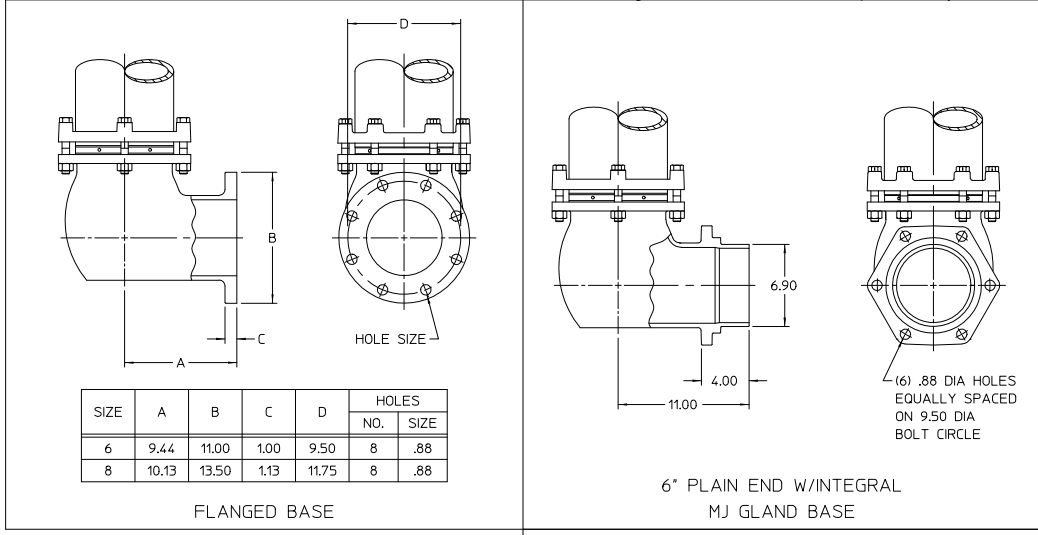
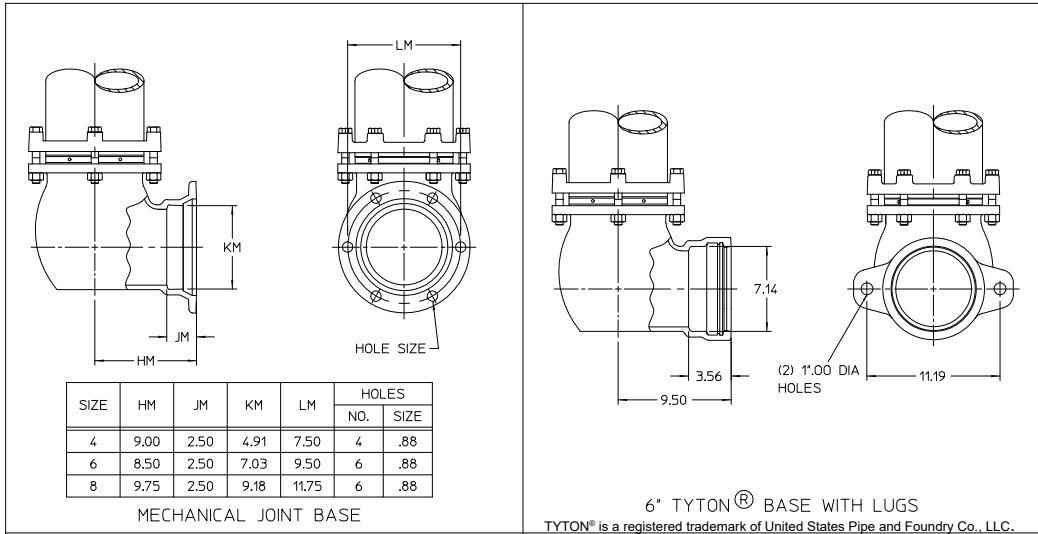
**THE RIGHT WAY**

AMERICAN Flow Control  
P.O. Box 2727  
Birmingham, Al. 35202-2727  
Phone: 800-326-8051  
Fax: 800-610-3569  
Email: afcsales@american-usa.com

Waterous Company  
125 Hardman Avenue South  
South St. Paul, Mn. 55075-1191  
Phone: 888-266-3686  
Fax: 800-601-2809  
Email: afcsales@american-usa.com

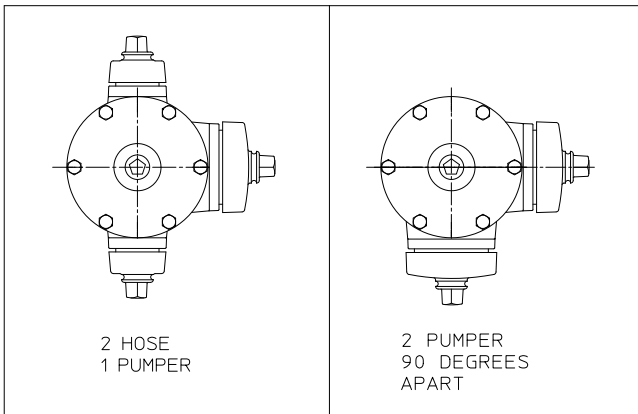
[WWW.AMERICAN-USA.COM](http://WWW.AMERICAN-USA.COM)

## Available Bases

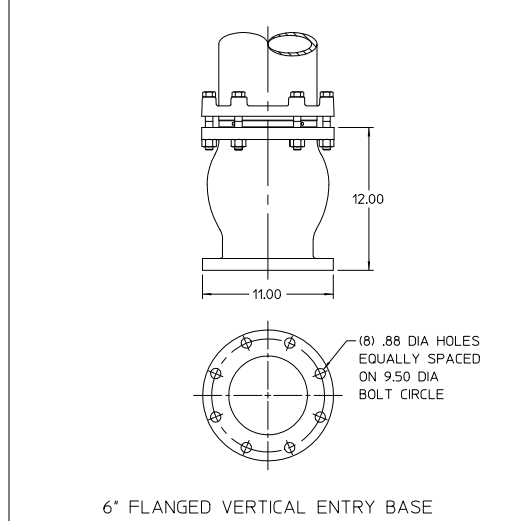


IL1474-2

### AVAILABLE NOZZLE ARRANGEMENTS



91-21352



AMERICAN

FLOW CONTROL

THE RIGHT WAY

AMERICAN Flow Control  
 P.O. Box 2727  
 Birmingham, Al. 35202-2727  
 Phone: 800-326-8051  
 Fax: 800-610-3569  
 Email: afcsales@american-usa.com

Waterous Company  
 125 Hardman Avenue South  
 South St. Paul, Mn. 55075-1191  
 Phone: 888-266-3686  
 Fax: 800-601-2809  
 Email: afcsales@american-usa.com

WWW.AMERICAN-USA.COM