

LSP03/LSP07

Submersible Sump Pumps



LSP03/LSP07 Sump Pumps

are designed and built for extended service life and increased reliability. The corrosion-resistant, heavy-duty construction includes stainless-steel motor casing, fasteners, and shaft, with a double-labyrinth lip seal to further protect the motor. Available in manual or automatic versions, with several float switch options to increase flexibility for a range of residential applications including: basement draining, water transfer and dewatering.

FEATURES

- Motor is permanently lubricated for extended service life and is powered for continuous operation.
- Float switch is adjustable for various liquid levels on automatic versions. Easily removed for direct pump operation or switch replacement.
- Complete unit is lightweight, portable and easy to service.
- Available in manual and automatic versions. See next page for specific order numbers.

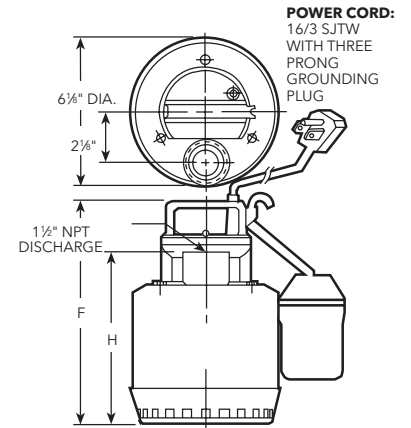
MODEL INFORMATION

Order No.	HP	Volts	Amps	Minimum Circuit Breaker	Phase	Float Switch Style	Cord Length	Discharge Connection	Min. On Level	Min. Off Level	Minimum Basin Diameter	Max. Solids Size	Shipping Weight lbs/kg
LSP0311	1/2	115	2.9	10	1	Plug / No Switch	10'	1 1/2"	Manual	Manual	9"	3/8"	11 / 5
LSP0311A						Built-In Wide Angle			11"	5"	12"		
LSP0311AT						Piggyback Wide Angle			11"	5"	12"		
LSP0311AV						Piggyback Vertical			8.5"	2"	12"		
LSP0311F						Plug / No Switch			Manual	Manual	9"		
LSP0311AF						Built-In Wide Angle			11"	5"	12"		
LSP0311ATF	Piggyback Wide Angle	11"	5"	12"									
LSP0711F	3/4	115	7.1	10	1	Plug / No Switch	20'	1 1/2"	Manual	Manual	9"	3/8"	15 / 6.8
LSP0711AF						Built-In Wide Angle			12.5"	6.5"	12"		
LSP0711ATF						Piggyback Wide Angle			12.5"	6.5"	12"		
LSP0712F						Plug / No Switch			Manual	Manual	9"		
LSP0712AF						Built-In Wide Angle			12.5"	6.5"	12"		
LSP0712ATF						Piggyback Wide Angle			12.5"	6.5"	12"		

DIMENSIONS

(All dimensions are in inches.
Do not use for construction purposes.)

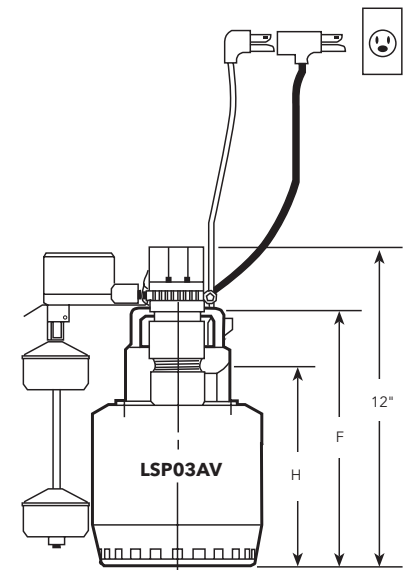
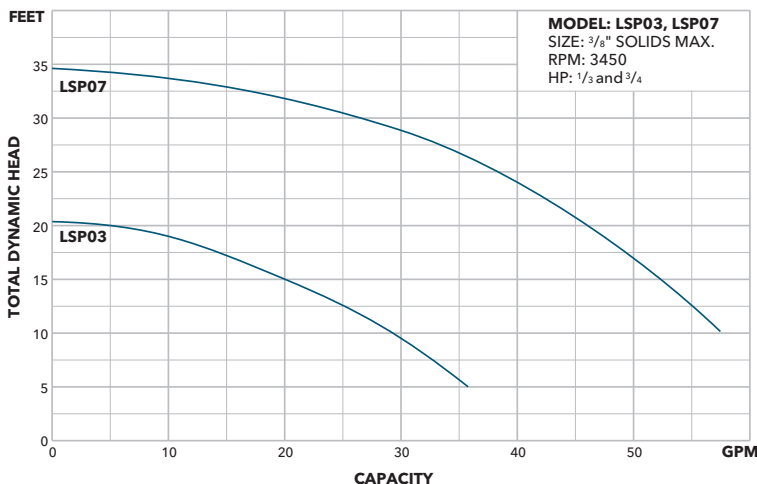
	F	H
LSP03	9 3/4	7 5/8
LSP07	11 1/4	9 1/8
LSP03AV	9 3/4	7 5/8



SPECIFICATIONS

Discharge Size:	1 1/2" NPT
Capacities:	up to 57 GPM
Maximum Head:	34 feet TDH
Maximum Solids:	3/8" spherical
Temperature:	104° F (40° C) maximum liquid temperature
Maximum Pump Submergence:	<ul style="list-style-type: none"> • 10 ft. for LSP03 • 16 ft. for LSP07

PERFORMANCE CURVE



Canadian Standards
Association
File #LR114251



Underwriters
Laboratories
File #83318

xylem
Let's Solve Water

Xylem Inc.
Phone: (866) 325-4210
Fax: (888) 322-5877
www.xylem.com/goulds

Xylem is a registered trademark of Xylem, Inc. or one of its subsidiaries. Goulds is a registered trademark of ITT Manufacturing Enterprises LLC and is used under license. All other trademarks or registered trademarks are property of their respective owners.
© 2023 Xylem Inc. GWTLSPSS-120039 R1 June 2023

