

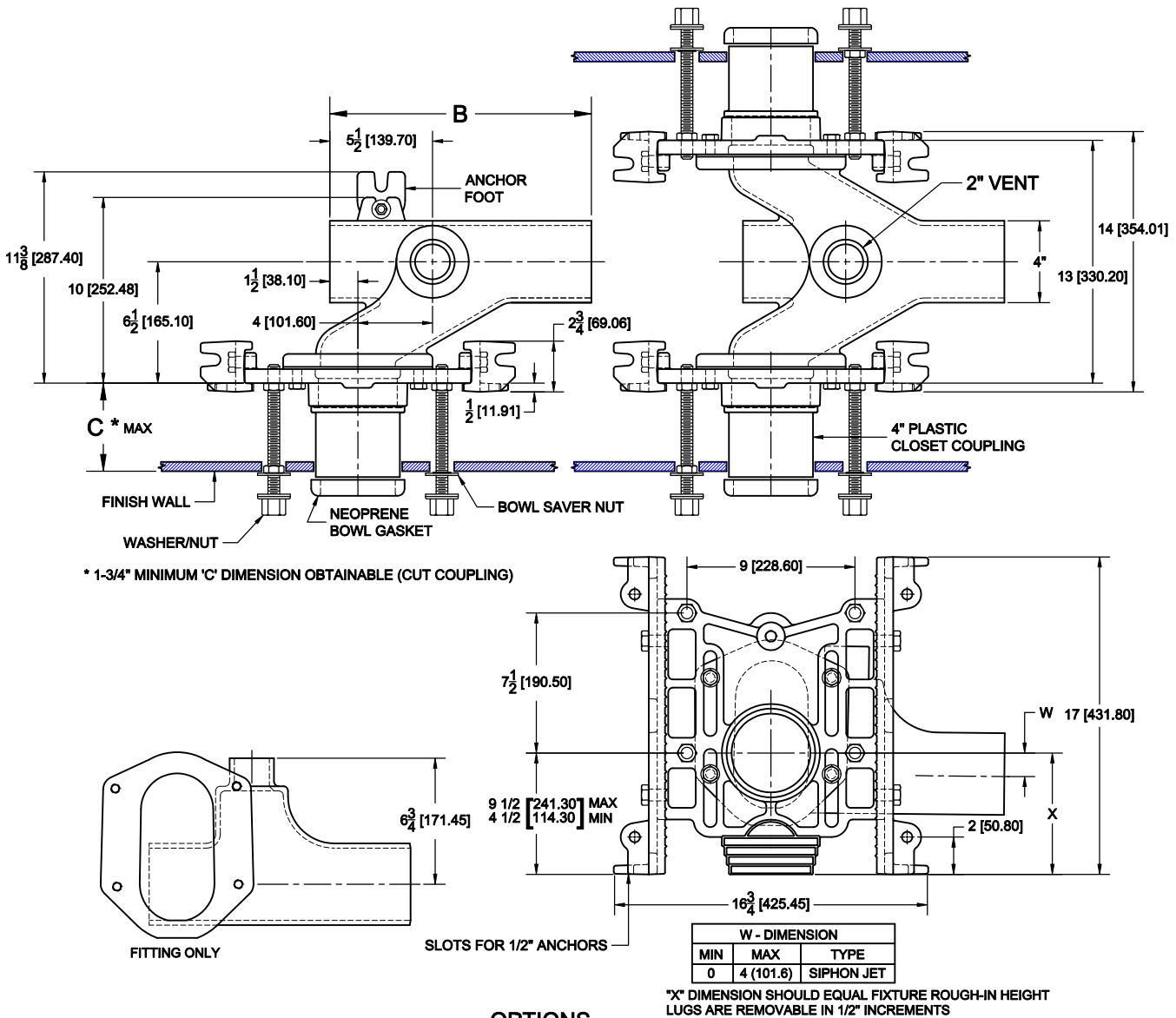
# CLOSET CARRIER



## 310 SERIES

ADJUSTABLE HORIZONTAL WATER CLOSET CARRIER WITH CAST IRON LEFT HAND, RIGHT HAND OR DOUBLE MAIN FITTING WITH 4" WASTE AND 2" VENT, ADJUSTABLE GASKETED FACEPLATE, UNIVERSAL FLOOR MOUNTED FOOT SUPPORTS, ABS COUPLING WITH INTEGRAL TEST CAP, FIXTURE SUPPORT STUDS, CHROME PLATED CAP NUTS, STUD PROTECTORS, NEOPRENE BOWL GASKET AND REAR ANCHOR FOOT.

CONFORMS TO ASME A112.6.1M (UP TO 300 LBS)



### OPTIONS

CAT.NO.	B	WT.LB.
<input type="checkbox"/> 310-NL	14 (355.6)	75.0
<input type="checkbox"/> 310-NR	14 (355.6)	75.0
<input type="checkbox"/> 310-ND	14 (355.6)	130.0
<input type="checkbox"/> 310-NL-36	36 (914.4)	80.0
<input type="checkbox"/> 310-NR-36	36 (914.4)	80.0
<input type="checkbox"/> 310-ND-36	36 (914.4)	140.0

Suffix	Description
<input type="checkbox"/> C7	COUPLING PACKAGE (6" MAX "C" DIMENSION)
<input type="checkbox"/> C11	COUPLING PACKAGE (10" MAX "C" DIMENSION)
<input type="checkbox"/> C14	COUPLING PACKAGE (13" MAX "C" DIMENSION) †
<input type="checkbox"/> C24	COUPLING PACKAGE (23" MAX "C" DIMENSION) †
<input type="checkbox"/> AM1	FLUSH VALVE PIPING SUPPORT
<input type="checkbox"/> AM4	AUXILIARY FOOT SUPPORT
<input type="checkbox"/> AM21	TILE FINISHING FRAME

† AUXILIARY FOOT SUPPORT RECOMMENDED (AM4)

AutoCad.dwg