

SPECIFICATION SUBMITTAL SHEET



HEAVY DUTY TUBULAR TRIP-LEVER WASTE & OVERFLOW

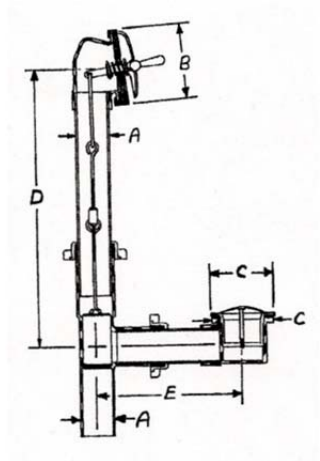
Job Name: _____ Contractor: _____
 Job Location: _____ Approval: _____
 Engineer: _____ Contractor's PO#: _____
 Approval: _____ Representative: _____

Specifications

Series 4151

Heavy Duty Tubular Plastic Bath Waste & Overflow

- Adjustable "G" Style Trip Lever Linkage
- Available PVC or ABS
- Brass Strainer & Trim
- Trim available in all Designer Finishes



Select Part# Below for Style/Size/Finish of Product Specified:

√	AB&A Part#	Item #	Material	Finish (On Trim Only)	A OD	B	C	D Min to Max	E Min to Max
	4161	61051	Tubular ABS	Chrome	1-1/2"	3-3/8"	2-15/16"	12-9/16" to 15-3/16"	6-1/16" to 7-1/2"
	4151	61052	Tubular PVC	Chrome	1-1/2"	3-3/8"	2-15/16"	12-9/16" to 15-3/16"	6-1/16" to 7-1/2"
	41619	61270	Tubular ABS	Chrome	1-1/2"	3-3/8"	2-15/16"	20-9/16" to 23-3/16"	11-1/16" to 12-1/2"
	41519	61053	Tubular PVC	Chrome	1-1/2"	3-3/8"	2-15/16"	20-9/16" to 23-3/16"	11-1/16" to 12-1/2"

