

CAT. NO.		CAT. NO. SUFFIX							
PREFIX 7487(-)		SUFFIX	HUBS	ITEM #13	SUFFIX	L. BLOCK ASSY. ITEM #16	R. BLOCK ASSY. ITEM #17	TRIPLEX GRND. ITEM #22	QTY.
-WL	1"	# HUB W	NONE	#1031738	#1031738	NONE	---		
-YL	1 1/4"	# HUB Y	-TG	#1031738	#1031738	#1000394	1	NONE	#1105105 (SC) #1121181 (AC)
-ZL	1 1/2"	# HUB Z	-KK	#1101813	#1101813	NONE	---		-PL #1123141
-DL	2"	# HUB D	-QG	#1031738	#1031738	#1000394	2		-IL #1115532
-EL	2 1/2"	# HUB E	-OS	#1031738	#1005174	NONE	---		-LG #905058-SC
-XL	CLOSING PLATE	#1028222	-TG-OS	#1031738	#1005174	#1000394	1		-SP #1111167
-RL	HUB OPENING	# NONE	-KK-OS	#1101813	#905861-AC	NONE	---		-IL-LGE #909479-SC
			-TG-KK	#1101813	#1101813	#1000394	1		THE FOLLOWING FRONTS ARE ON DRWG. #908831
			-5T	#1004964	#1031738	NONE	---		-PL-FPC #908831-SC
			-TG-5T	#1004964	#1031738	#1000394	1		-PL-JEA #913439-SC
			-TG-KK-5T	#1005180	#1101813	#1000394	1		THE FOLLOWING FRONTS ARE ON DRWG. #1128672
			-QG-KK	#1101813	#1101813	#1000394	2		-APCO #903467-SC
			-6T	#1004964	#903727-AC	NONE	---		-CPSB #1128672
			-TG-KK-OS	#1101813	#905861-AC	#1000394	1		-GPCO #903737-SC

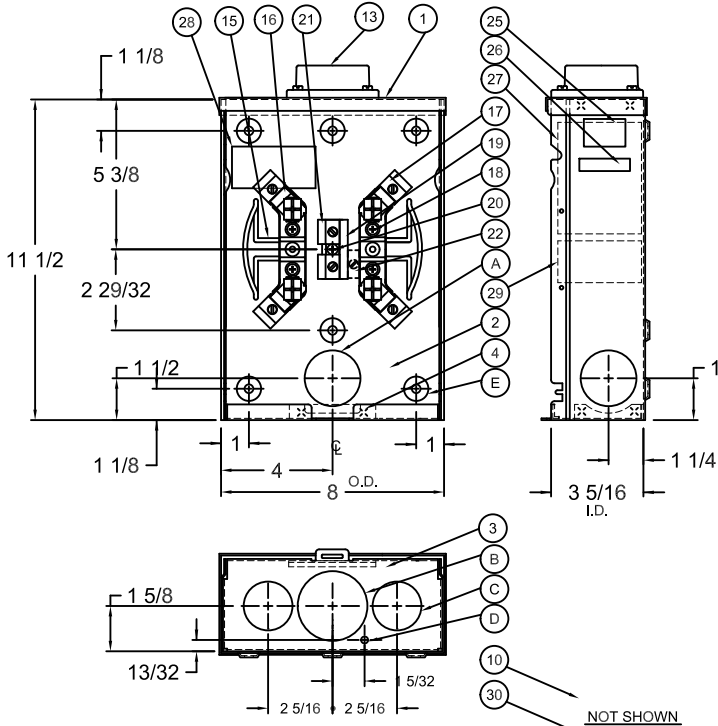
BILL OF MATERIAL			
NO.	QTY.	DESCRIPTION	
A	3	3/4, 1, 1 1/4, 1 1/2	CONC. K.O.
B	1	3/4, 1, 1 1/4, 1 1/2, 2	CONC. K.O.
C	2	1/4, 1/2, 3/4, 1, 1 1/4	CONC. K.O.
D	1	1/4 SOLID K.O	
E	6	U/L MOUNTING EMBOSS	
1	1	TOP	#1000201/#1023711
2	1	BACK	(SEE CHART)
3	1	BOTTOM	#1000235/#1023876
4	1	ANGLE	#1000080 (ON ALUM. SHELL ONLY)
10	1	FRONT ASSY.	#(SEE CHART)
13	1	UNIT HUB	AS SPECIFIED (SEE CHART)
15	2	WIRE METER SUPT.	#1000164
16	1	L. BLOCK ASSY.	#(SEE CHART)
17	1	R. BLOCK ASSY.	#(SEE CHART)
18	4	BLOCK TO BACK SCW.	#1000060
19	1	GROUND CONN.	#1000083
20	1	GRND. TO BACK SCW.	#1000062
21	2	NUT ASSY.	#1000389
22	S/C	TRIPLEX GRND. ASSY.	#(SEE CHART)
25	1	WHEN SOLD AS U/L	SUPPLY LABEL #1000166 LOC."A" (SEE NOTE)
26	1	STAMP CAT. NO.	
27	1	RATING LABEL #1000051	(LOC."B" SEE NOTE)
28	1	CPSB LABEL (SEE NOTE 6)	
29	S/C	LABEL, SMECO #	#(SEE CHART)
30	1	LABEL #1000064, LOC. (OUTSIDE UPPER LEFT CORNER OF FRONT.)	

CAT. NO. PREFIX

S = 16 GA. STEEL PAINTED SHELL NON-U/L LABELING.
 U = 16 GA. STEEL PAINTED SHELL U/L LABELING.
 AP = .064 ALUM. PAINTED SHELL NON U/L LABELING.
 UAP = .064 ALUM. PAINTED SHELL U/L LABELING.

R = 16 GA. STEEL PAINTED SHELL U/L LABELING, SINGLE PACK (RETAIL).
 RAP = .064 ALUM. PAINTED SHELL U/L LABELING, SINGLE PACK (RETAIL).

MATL/SUFFIX	SHELL	TOP	BACK	BOTTOM	SUFFIX	SMECO LABEL NO.
STEEL	1000294	1000201	1000212	1000235	NONE	N/A
ALUM	1005037	1023711	1005029	1023876	-XL-KK-SMECO	1154796
-NSKO	1160677	1000201	1160674	1000235		



- NOTES:
- FOR LABELING LOC. SEE DWG. #1096668.
 - FOR FIELD INSTALLED FIFTH TERM. ASSY ORDER CAT. # 5T8K2.
 - FOR SPECIAL NOTES & ADDITIONAL UTILITY SPECS. TO SUFFIXES SHOWN ABOVE & SUFFIXES NOT SHOWN, SEE DWG. #7487-91.
 - WHEN SOLD W/ "R" PREFIX, UNIT TO BE SINGLE PACKED IN CARTON #1005228. APPLY CARTON LABEL FROM LIST BELOW TO MIDDLE OF CARTON SIDE PANEL:
 R7487-O-TG: #1130559
 R7487-RL: #1131507
 R7487-RL-QG-KK: #1131788
 R7487-RL-TG: #1130560
 R7487-RL-TG-KK: #1130561
 R7487-XL-TG: #1143690
 R7487-XL-TG-KK: #1130565
 R7487-XL-TG-KK-5T: #1131596
 R7487-YL-QG: #1131034
 R7487-YL-TG: #1130568
 R7487-YL: #1143691
 R7487-YL-KK-CPSB: #1131016
 R7487-RL-QG-CAPL: #1130566
 - WHEN SOLD WITH SUFFIX -WSE AT THE END ADD LABEL #1113227 TO FRONT ASSY JUST ABOVE LATCH.
 - WHEN SOLD W/ -CPSB SUFFIX, ADD LABEL #1128667
 - WHEN SOLD AS CATALOG U7487-RL-TG-KK-ALT REPLACE CATALOG STAMP ON THE OUTSIDE OF THE BOX WITH LABEL #1132056
 - WHEN SOLD AS U7487-O-TG-DTE ADD LABEL #1135430 (LOC. "B").

CARDBOARD CLOSING PLATE #1000158 1-PER
 SINGLE PACK CARTON #1005228 1-PER
 MULTI PACK CARTON #1000186 4-PER

SHELL WELDMENT (SEE CHART) (SC)

REVISONS:	DATE	DESCRIPTION	BY	CHKD
A3	8/4/11	SMECO LABEL 1154796 WAS 1153833 (ECO #21064)	D.F.	S
A4	11/3/11	ALUM. VERSION: 1000060 WAS 1025062; 1000062 WAS 1024980 (ECO #21549)	D.F.	S
A5	1/26/12	CHART -NGE FRONT (ECO #21836)	D.F.	S

MATERIAL:	16 GA. STL. OR .064 ALUM.
FINISH:	MILBANK LIGHT GRAY
CATALOG NO:	(SEE CHART)
TITLE:	125 AMP RINGLESS 4, 5 OR 6 TERM 2/0 M/S
CUSTOMER:	MILBANK STANDARD
DRAWING NO:	7487
MILBANK MFG. CO.	
GENERAL OFFICES KANSAS CITY, MO.	
DRAWN BY:	LAL
CHECKED BY:	LAL
APPROVED:	
SCALE:	NTS
DATE:	12-26-91