

Studio® Under Counter Sinks

- 0614.000 Unglazed Rim**
- 0614.300 Glazed underside**

- Rectangular under counter mount sinks
- Made from vitreous china
- Unglazed rim
- Front overflow
- Supplied with mounting kit and template

Nominal Dimensions:

19-3/4" x 13-3/4"
 (502 x 350mm)

Bowl size:

18" (457mm) wide
 12" (305mm) front to back
 6-7/16" (164mm) deep

- 0618.000 Unglazed Rim**

Nominal Dimensions:

23-5/8" x 16-5/8"
 (600 x 422mm)

Bowl size:

21-1/16" (535mm) wide
 14" (356mm) front to back
 6-1/4" (159mm) deep

Compliance Certifications - Meets or Exceeds the Following Specifications:

- ASME A112.19.2M for Vitreous China Fixtures
- CAN/CSA B45 series



SEE REVERSE FOR ROUGHING-IN DIMENSIONS

To Be Specified:

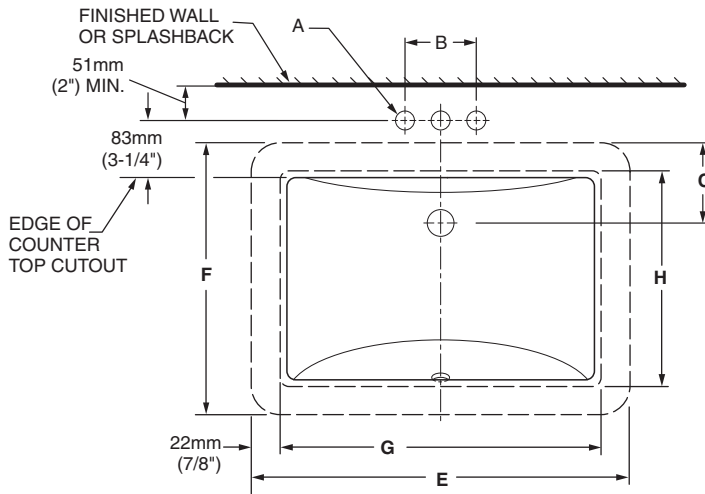
- Color: White Bone Linen
- Faucet*:
- Faucet Finish:
- Supplies:
- 1-1/4" Trap:

* See faucet section for additional models available

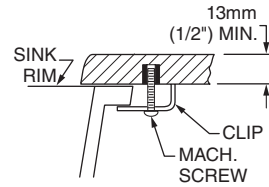


MEETS THE AMERICANS WITH DISABILITIES ACT GUIDELINES AND ICC ANSI A117.1 ACCESSIBLE AND USABLE BUILDINGS AND FACILITIES - CHECK LOCAL CODES.

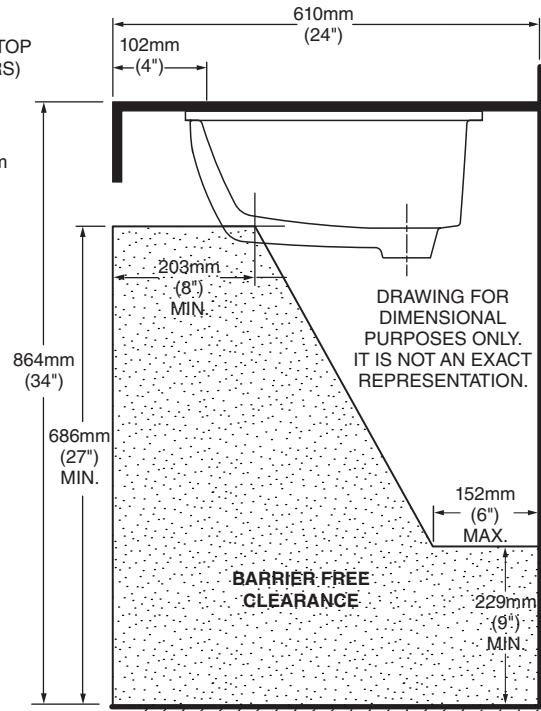
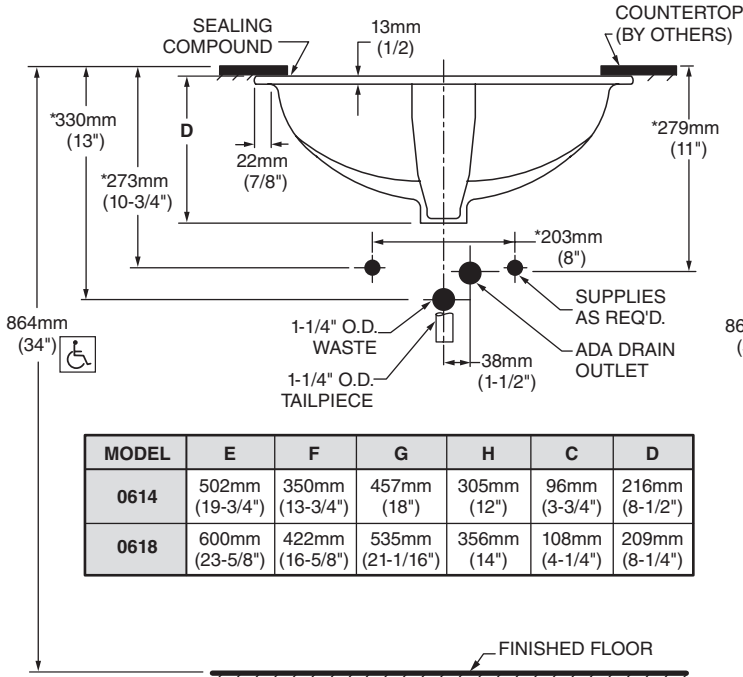
Install lavatory 864mm (34") from finished floor.
 Lavatory installed 102mm (4") minimum from front edge of countertop provides 686mm (27") knee clearance area.



FITTING	A	B
CENTER-SET	1-1/16" (27mm)	4" (102mm)
SPREAD	1-1/4" (32mm)	8" (203mm)



REFER TO INSTRUCTIONS PROVIDED WITH KIT FOR ADDITIONAL INFORMATION



NOTES:

INSTALL PRODUCT ACCORDING TO THE INSTALLATION INSTRUCTIONS. COUNTERTOP MANUFACTURER OR CUTTER MUST USE CUTOUT TEMPLATE PROVIDED WITH PRODUCT OR A CURRENT ONE PROVIDED BY AMERICAN STANDARD. AMERICAN STANDARD IS NOT RESPONSIBLE FOR CUTOUT ERRORS WHEN THE INCORRECT TEMPLATE IS USED.

* DIMENSIONS SHOWN FOR LOCATION OF SUPPLIED AND "P" TRAP ARE SUGGESTED.

▼ UNDERCOUNTER MOUNTING KIT SUPPLIED WITH SINK.

FITTINGS NOT INCLUDED WITH FIXTURE AND MUST BE ORDERED SEPARATELY.

SEALING COMPOUND SUPPLIED BY OTHERS.

IMPORTANT: Dimensions of fixtures are nominal and may vary within the range of tolerances established by ANSI Standard A112.19.2.

These measurements are subject to change or cancellation. No responsibility is assumed for use of superseded or voided pages.