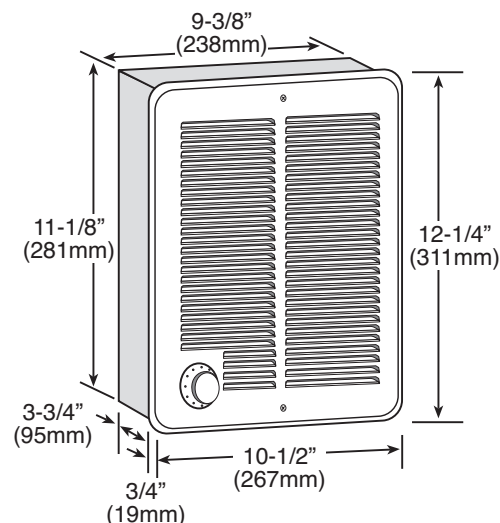


TYPE CRA RESIDENTIAL FAN-FORCED ZONAL WALL HEATERS

Suitable for use in almost any room. Use single heaters in smaller rooms such as bedrooms and bathrooms. Use multiple heaters (controlled by a single thermostat) in larger rooms such as living rooms and family rooms. Wattage levels should be determined by heat loss calculations.

- Fast-response coil element assures quick heat and low maintenance.
- Three piece construction offers ease of installation.
- European styling: Sleek rounded corners complements any room decor.
- Dual Protection: Thermal cutout with indicator light and one time thermal fuse.
- Northern White finish.
- 500 - 1000 Watt units are approved for ceiling mounting.
- Patented Clip-n-Fit Feature



MOUNTING LIMITATIONS

Do not install back box closer than 4.5 inches from floor, adjacent walls and 12 inches from ceiling. Units 1000W or less can be ceiling mounted. Do not install heater behind towel rack, behind door, in floor, in closet, or where airflow may be obstructed. To insure proper operation, maintain 5-foot minimum clearance to furniture or other objects placed directly in front of the heater.



ACCESSORIES

CATALOG NUMBER	DESCRIPTION	SHIP WT.
CRABB	Back Box Only (Used with "IF" suffix models)	2 lbs.
CRABB6	Back Box Multi-pack (Used with "IF" suffix models)	10 lbs.
CRATDP	D.P. Thermostat Kit (Range: 40-85°)	1 lb.
CRASM	Surface Mounting Frame	2 lbs.
CRA2FAKIT	Retro Kit for A Series Back Box	1 lb.

SELECTION CHART

CATALOG NUMBER	VOLTS	WATTS	AMPS	BTU/HR.	SHIP WT.
CRA1512-IF	120	1500/1125/750/375	12.5/9.4/6.3/3.1	5118/ 3838/ 2560/1280	10 lbs.
CRA2028-IF	208	2000/1500/1000/500	9.6/7.2/4.8/2.4	6824/ 5118/ 3412/1706	10 lbs.
CRA2024-IF	240	2000/1500/1000/500	8.3/ 6.3/4.2/ 2.1	6824/ 5118/ 3412/1706	10 lbs.
	208	1500/1125/750/375	12.5/9.4/6.3/3.1	5118/ 3838/ 2560/1280	
CRA2224-IF	240	2250/1688/1125/563	9.4/7.0/4.7/2.4	7677/ 5760/ 3838/1920	10 lbs.
	208	1688/1266/844/422	8.1/6.1/ 4.1/2.0	5760/ 4320/ 2880/1440	
COMPLETE UNITS WITH BUILT-IN DOUBLE POLE THERMOSTAT					
CRA1512-T2	120	1500/1125/750/375	12.5/ 9.4/6.3/3.1	5118/ 3838/2560/1280	11 lbs.
CRA2024-T2	240	2000/1500/1000/500	8.3/ 6.3/4.2/2.1	6824/ 5118/3412/1706	11 lbs.
	208	1500/1125/750/375	12.5/ 9.4/6.3/3.1	5118/3838/2560/1280	
CRA2224-T2	240	2250/1688/1125/563	9.4/7.0/4.7/2.4	7677/5760/3838/1920	11 lbs.
	208	1688/1266/ 844/422	8.1/6.1/4.1/2.0	5760/4320/2880/1440	

CLIP-N-FIT® FEATURE
Patented Clip-N-Fit® feature (US Patented No. 6,172,343) allows the installer to change the wattage of the heater to a lower output without moving jumper wire. Each heater is factory wired for its maximum wattage. To change wattage, clip out either jumper 1 or 2 as shown in the installation manual for desired wattage. This Patented Clip-N-Fit® feature also prevents the operator to change wattage after installation to a higher wattage.