

Product data sheet

Specifications

SQUARE D

Green Premium™



Mini circuit breaker, Homeline, 20A, 1 pole, 120/240VAC, 10kA AIR, standard type, plug in, UL

HOM120

Product availability : Stock - Normally stocked in distribution facility

Price* : 26.30 USD

Main

Product	Miniature circuit-breaker
Range	Homeline
Current Rating	20 A
Certifications	UL Listed
Voltage Rating	120/240 V AC
Mounting Type	Plug-in
Number of Poles	1P
Short Circuit Current Rating	10 kA
Number of Spaces	1
Circuit Breaker Type	Standard
Ratings	HACR and Switching Duty rated
Electrical Connection	Clamp terminal for 2 cables
Wire Size	AWG 14...AWG 8 aluminium/copper)1 AWG 14...AWG 10 copper)2

Complementary

Tightening torque	35.40 lbf.in (4.0 N.m) 0.00...0.01 in ² (2.5...6 mm ²) (AWG 14...AWG 8)
Height	3.13 in (79.50 mm)
Width	1 in (25.40 mm)
Depth	2.98 in (75.69 mm)

Environment

Ambient Air Temperature for Operation	104 °F (40 °C)
---------------------------------------	----------------

Ordering and shipping details

Category	00046-HOM/T 15-30A 1P; 15-60A 2P
Discount Schedule	DE3D
GTIN	785901065210
Returnability	Yes

* Price is "List Price" and may be subject to a trade discount – check with your local distributor or retailer for actual price.

Country of origin	US
-------------------	----

Packing Units

Unit Type of Package 1	PCE
Number of Units in Package 1	1
Package 1 Height	1.00 in (2.54 cm)
Package 1 Width	3.10 in (7.87 cm)
Package 1 Length	3.00 in (7.62 cm)
Package 1 Weight	4.48 oz (127.01 g)
Unit Type of Package 2	BB1
Number of Units in Package 2	10
Package 2 Height	3.20 in (8.128 cm)
Package 2 Width	2.70 in (6.858 cm)
Package 2 Length	10.20 in (25.908 cm)
Package 2 Weight	3.00 lb(US) (1.361 kg)
Unit Type of Package 3	CAR
Number of Units in Package 3	100
Package 3 Height	10.60 in (26.924 cm)
Package 3 Width	7.00 in (17.78 cm)
Package 3 Length	16.60 in (42.164 cm)
Package 3 Weight	30.00 lb(US) (13.608 kg)

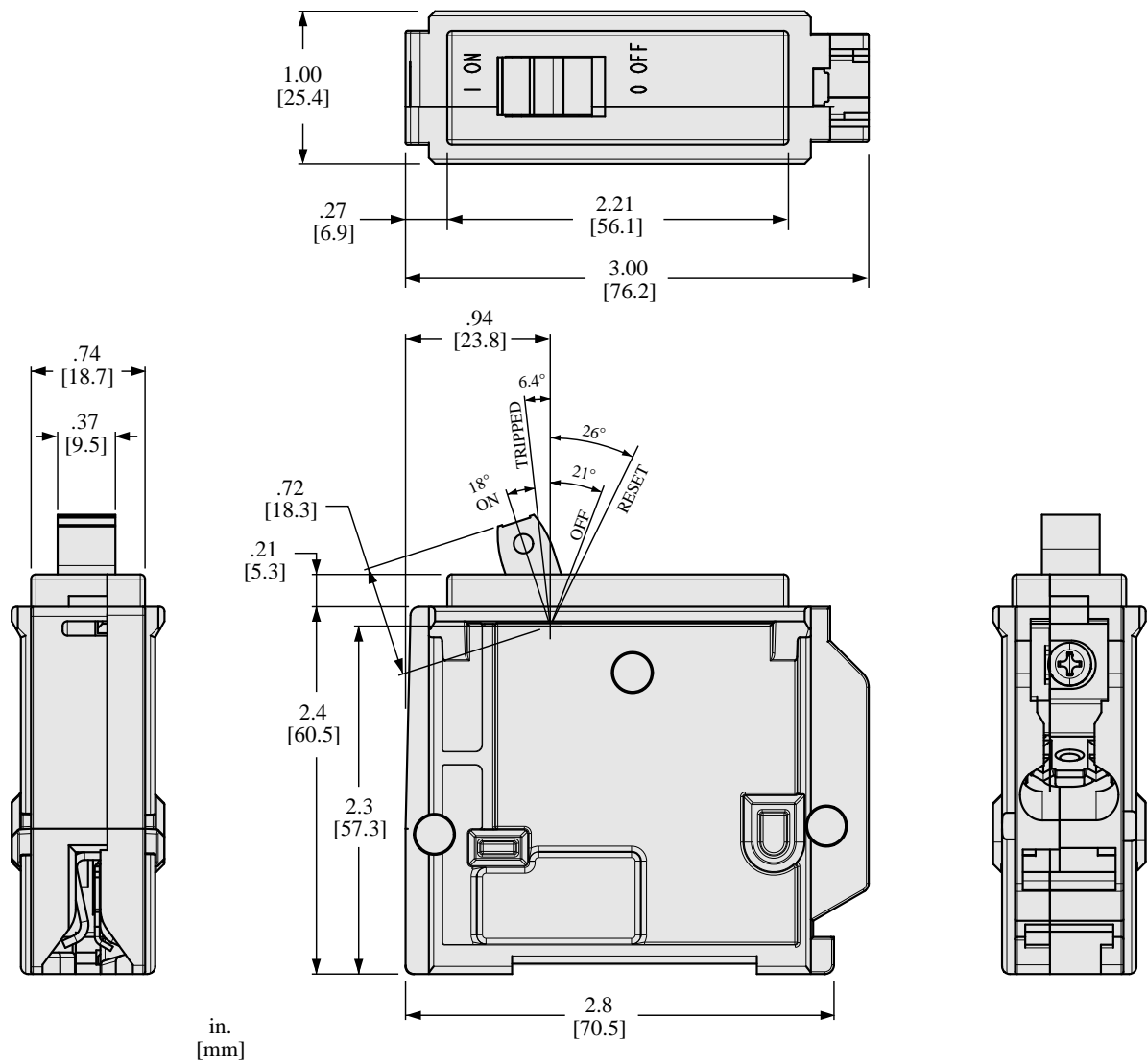
Offer Sustainability

Sustainable offer status	Green Premium product
REACH Regulation	REACH Declaration
REACH free of SVHC	Yes
EU RoHS Directive	Compliant EU RoHS Declaration
Toxic heavy metal free	Yes
Mercury free	Yes
China RoHS Regulation	China RoHS declaration Pro-active China RoHS declaration (out of China RoHS legal scope)
RoHS exemption information	Yes
Environmental Disclosure	Product Environmental Profile

Contractual warranty

Warranty	Lifetime
----------	----------

Dimensions



All dimensions are approximate. Also refer to technical drawings and documentation.

Recommended replacement(s)