

MUH Series Modular Unit Heaters



Installation, Operation & Maintenance Instructions

Specifications

Basic Model No.	Height in (mm)	Width in. (mm)	Depth in. (mm)	Mounting Weight lbs. (kg)	Wiring Compartment Volume				
MUH0381	16 (406.4)	14 (355.6)	7 1/2 (190.5)	27 (12.2)	90 in ³ (14.70 cm ³)				
MUH0321				27 (12.2)					
MUH0371				27 (12.2)					
MUH0341				30 (13.6)					
MUH0581				27 (12.2)					
MUH0521				27 (12.2)					
MUH0571				27 (12.2)					
MUH0541				30 (13.6)					
MUH0331				30 (13.6)					
MUH0361				30 (13.6)					
MUH0531				30 (13.6)					
MUH0561				30 (13.6)					
MUH078				21 3/4 (552.5)		19 (482.6)	7 1/2 (190.5)	38 (17.2)	100 in ³ (1639 cm ³)
MUH072								38 (17.2)	
MUH077								38 (17.2)	
MUH074	38 (17.2)								
MUH108	38 (17.2)								
MUH102	38 (17.2)								
MUH107	38 (17.2)								
MUH104	38 (17.2)								
MUH073	38 (17.2)								
MUH076	38 (17.2)								
MUH103	38 (17.2)								
MUH106	38 (17.2)								

Basic Model No.	Height in (mm)	Width in. (mm)	Depth in. (mm)	Mounting Weight lbs. (kg)	Wiring Compartment Volume				
MUH158	21 3/4 (552.5)	19 (482.6)	12 3/4 (323.9)	54 (24.5)	140 in ³ (2295 cm ³)				
MUH152				50 (22.7)					
MUH154				50 (22.7)					
MUH208				60 (27.2)					
MUH202				55 (24.9)					
MUH204				55 (24.9)					
MUH156				55 (24.9)					
MUH206				55 (24.9)					
MUH252				30 (76.2)		26 5/8 (676.4)	11 3/4 (298.5)	89 (40.4)	504 in ³ (8260 cm ³)
MUH254								89 (40.4)	
MUH308	89 (40.4)								
MUH302	89 (40.4)								
MUH304	89 (40.4)								
MUH256	89 (40.4)								
MUH306	89 (40.4)								
MUH402	30 (76.2)	26 5/8 (676.4)	17 1/4 (435.1)	119 (54.0)	648 in ³ (10620 cm ³)				
MUH404				119 (54.0)					
MUH508				119 (54.0)					
MUH502				119 (54.0)					
MUH504				119 (54.0)					
MUH406				119 (54.0)					
MUH506				119 (54.0)					

IMPORTANT INSTRUCTIONS



WARNING



WHEN USING ELECTRIC APPLIANCES, BASIC PRECAUTIONS SHOULD ALWAYS BE FOLLOWED TO REDUCE THE RISK OF FIRE, ELECTRIC SHOCK, AND INJURY TO PERSONS, INCLUDING THE FOLLOWING:

1. Read all instructions before installing or using this heater.
2. This heater is a commercial/industrial product not intended for use in a residential setting.
3. This heater is hot when in use. To avoid burns, do not let bare skin touch hot surfaces. Keep combustible materials, such as furniture, pillows, bedding, papers, clothes, etc. and curtains at least 3 feet (0.9 m) from the front of the heater.
4. Extreme caution is necessary when any heater is used by or near children or invalids and whenever the heater is left operating and unattended.
5. This heater has hot and arcing or sparking parts inside and is not intended for use in hazardous atmospheres where flammable vapors, gases, liquids or other combustible atmospheres as defined in the National Electrical Code are used or stored. Failure to comply can result in explosion or fire.
6. Do not operate any heater after it malfunctions. Disconnect power at service panel and have heater inspected by a reputable electrician before using.
7. Do not use outdoors.
8. To disconnect heater, turn controls to off, and turn off power to heater circuit at main disconnect panel.
9. Do not insert or allow foreign objects to enter any ventilation or exhaust opening as this may cause an electric shock, fire, or damage to the heater.
10. To prevent a possible fire, do not block air intake or exhaust in any manner.
11. Use this heater only as described in this manual. Any other use not recommended by the manufacturer may cause fire.
12. This heater is not intended for use in special environments. Do not use in damp or wet locations such as marine or greenhouse or in areas where corrosive or chemical agents are present.
13. When installing, see INSTALLATION INSTRUCTIONS for additional warnings and precautions.
14. For safe and efficient operation, and to extend the life of your heater, keep your heater clean - See MAINTENANCE INSTRUCTIONS.

SAVE THESE INSTRUCTIONS

INSTALLATION INSTRUCTIONS



WARNING



To prevent a possible fire, injury to persons or damage to the heater, adhere to the following:

1. Disconnect all power coming to heater at main service panel before wiring or servicing.
- Important Note:** This heater must be installed by a qualified person.
2. All wiring procedures and connections must be in accordance with the National and Local Codes having jurisdiction and the heater must be grounded.
 3. Verify the power supply voltage coming to heater matches the ratings as shown on the heater nameplate.
- CAUTION:** ENERGIZING HEATER AT A VOLTAGE GREATER THAN THE VOLTAGE PRINTED ON THE NAMEPLATE WILL DAMAGE THE HEATER AND VOID THE WARRANTY AND COULD CAUSE A FIRE.
4. To reduce the risk of fire, do not store or use gasoline or other flammable vapors and liquids in the vicinity of the heater.
 5. The ceiling or wall mounting structure and the anchoring provisions must be of sufficient strength to support the combined weight of the heater and mounting bracket.
 6. All built-in thermostats: If the heater is used to prevent piping or liquids from freezing, and if the thermostat is set below 45° F (7°C), the fan must run continuously.
 7. The heater must be mounted at least 7' (2134 mm) above the floor to avoid accidental contact with the fan blade which could cause injury.
 8. Keep at least 5' clearance in front of the heater. Refer to Table 1 for side, top and back clearance requirements.
 9. Do not mount mercury type thermostat directly on unit. Vibration could cause heater to malfunction.

Heater Location Instructions

Arrange units so that discharge air streams:

- a. are subjected to a minimum of interference from columns, machinery and partitions;
- b. wipe exposed walls without blowing directly at them;
- c. are directed away from room occupants in comfort heating;
- d. are directed along the windward side when installed in a building exposed to a prevailing wind.

Locate thermostats approximately 5' (1524mm) above the floor on interior partition walls or post away from cold drafts, internal heat sources and away from heater discharge air streams.

Small rooms can be heated by one unit heater.

Large rooms require multi-unit installations. Number and capacity of units will be determined by volume of building and square feet of floor area to be heated. Arrange units to provide perimeter air circulation where each unit supports the air stream from another.

Mounting the Heater - General

The heater may be mounted to discharge the heated air either horizontally or vertically. When the heater is mounted for vertical discharge, it is recommended that the heater be positioned so that the access door will open away from the wall to provide greater access to the wiring and control compartment. If the heater is to be mounted with the access door facing a wall, the heater must be mounted far enough from that wall to allow full opening of the access door (a distance approximately equal to the width of the heater, check clearance before installing). Refer to Table 1 for wall and ceiling clearances before mounting heater.

The heater may be mounted for either vertical or horizontal discharge by the use of threaded rods. (Refer to Table 2 for threaded rod sizes required.) Observe the detailed procedures in the following installation instructions.

The heater may also be suspended from the wall or ceiling by means of an optional mounting bracket (type MMB or MCMB) which permits horizontal pivoting of the heater.

After the heater is installed, the louvers may be positioned to direct the heated air in the desired direction. When the heater is installed for horizontal discharge, the louvers should direct the air either straight ahead or downward. Directing the air upward may cause the heated air to remain in the ceiling area and waste energy.

Table 1. Wall and Ceiling Clearance, inches (mm)

Unit	Discharge	Ceiling	Side Wall	Back Wall
3 & 5 kW	Horiz.	2 (50.8)	6 (152.4)	9 (228.6)
	Vert.	6 (152.4)	18 (457.2)	18 (457.2)
7.5 to 10 kW	Horiz.	6 (152.4)	6 (152.4)	13 (330.2)
	Vert.	6 (152.4)	24 (609.6)	24 (609.6)
15 to 10 kW	Horiz.	6 (152.4)	9 (228.6)	12½ (317.5)
	Vert.	6 (152.4)	24 (609.6)	24 (609.6)
25 to 50 kW	Horiz.	16 (406.4)	12 (304.8)	18½ (470.0)
	Vert.	12 (304.8)	39 (914.4)	39 (914.4)

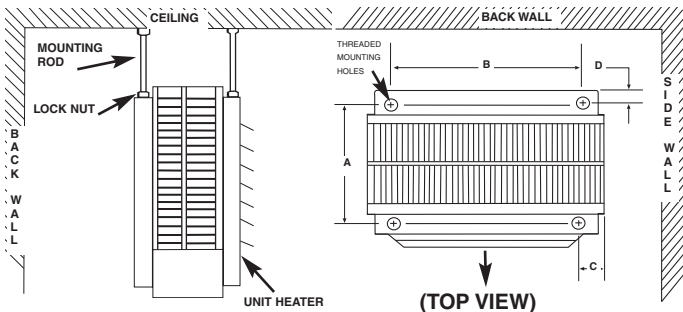


Figure 1. Horizontal Discharge Mounting and Spacing.

Table 2. Rod Thread and Spacing Dimensions, inches (mm) for Horizontal Discharge

Unit	Rod Thread Type	A	B	C	D
3 - 5 kW	5/16 - 18	6 1/16 (153.9)	6 (152.4)	4 1/16 (103.1)	3/4 (19.0)
7.5 - 10 kW		11 3/8 (289.0)	8 7/8 (225.6)	5 1/8 (130.3)	3/4 (19.0)
15 - 20 kW			14 - 12 (368.3)	6 3/16 (157.2)	5/8 (16.0)
25 - 30 kW	3/8 - 16	10 9/16 (268.2)	14 - 12 (368.3)	6 3/16 (157.2)	5/8 (16.0)
40 - 50 kW		15 15/16 (404.9)	14 - 12 (368.3)	6 3/16 (157.2)	5/8 (16.0)

Horizontal Discharge (Rod-mount from Ceiling)

1. Install four threaded mounting rods in the threaded holes and secure in place using lock nuts. (See Table 2).
2. Securely attach the four mounting rods to the ceiling. (Refer to Table 1 for wall and ceiling clearances, and Table 2 for mounting rod spacing).

Table 3. Rod Thread and Spacing Dimensions, inches (mm) for Vertical Discharge

Unit	Rod Thread Type	E	F	G	H
3 - 5 kW	5/16 - 18	6 (152.4)	9 3/4 (247.7)	2 (50.8)	4 1/16 (103.1)
7.5 - 20 kW		8 7/8 (225.6)	14 5/8 (371.6)	2 (50.8)	5 1/8 (130.3)
25 - 30 kW	3/8 - 16	14 1/2 (368.3)	21 1/4 (539.8)	2 3/16 (56.0)	6 3/16 (157.2)

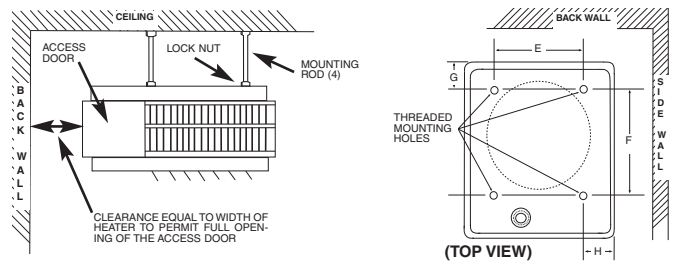


Figure 2. Vertical Discharge Mounting and Rod Spacing

Vertical Discharge (Rod-Mount from Ceiling)

1. Remove bolts from the threaded holes in the back of the heater.
2. Install four threaded mounting rods in the threaded holes and secure in place using lock nuts.
3. Securely attach the four mounting rods to the ceiling. (Refer to Table 1 for wall and ceiling clearances, and Table 3 for mounting rod spacing dimensions.)

Wiring Branch Circuit (Power)

1. Connect heater only to the voltage, amperage and frequency specified on the nameplate.
2. Field wiring must be properly sized to carry the amperage in accordance with the NEC.
3. The access door is hinged. There are either one or two screws accessible from the side that must be loosened to gain access. These screws are the captive type; do not try to remove them.
4. A knockout is provided in the back of the heater close to the power terminal block and the control terminal board. The control terminal board knockout is 1/2 inch (12.7 mm) conduit size. The power terminal block knockout is multiple diameter. Use the diameter that fits the required conduit size.
5. A ground terminal is provided near the power terminal board. The ground wire should be connected before other connections are made.
6. The power terminal block is equipped with box terminals sized to accept the correct size power supply wire. Branch circuit wire rated min 600V, 60° C is acceptable for heaters rated up to 80 amps. For heaters rated more than 80 amps, branch circuit wire must be rated at least 75°C. Either aluminum or copper wire is satisfactory for connection to the heater power terminal block box terminal. Copper wire is recommended and must be used with built-in disconnect switch.

- Each heater has a wiring diagram affixed to the inside of the access door. Consult this diagram before making any field connections.

Important Note - Installation Screw Lug Torque:

During transportation it is possible screw lug connections can loosen. After installation, before power is turned on to the heater, check all screw lug connections for tightness to a recommended minimum torque of 35 in-lbs. (3.9 N-m). Loose connections may present a hazard.

- Single or three-phase power connections may be used with heater models MUH0521, MUH0581, MUH072, MUH078, MUH102, MUH108, and MUH158. These units are factory wired for single-phase operation. If these heaters are for use with three-phased power, reconnect the wires as indicated in the wiring diagram attached to the heater. Additional information can be found by looking at the wiring illustrations in Figures 3a and 3b and following the directions shown below.

On models MUH0521, MUH0581, MUH072, MUH078, MUH102, and MUH108 (Figure 3a), move only the two wires marked "A1" and marked "B1"; do not move or change any other wiring. The element lead wire marked "B1" which is factory connected to the power terminal block (terminal located closest to the elements) must be moved to terminal "B" on the three-phase terminal block.

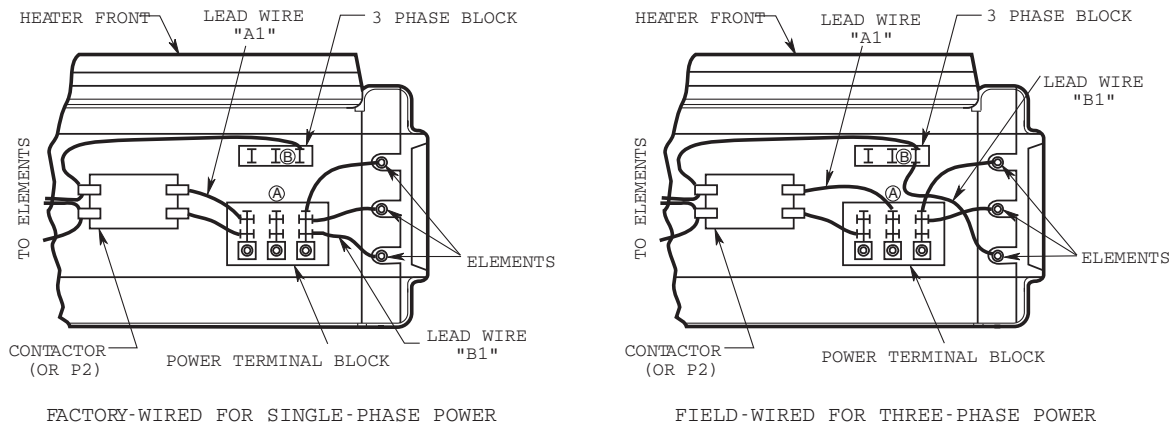


Figure 3a. Wiring Connections for Single-Phase and Three -Phase Power(MUH0521, MUH0581, MUH072, MUH078, MUH102 and MUH108)

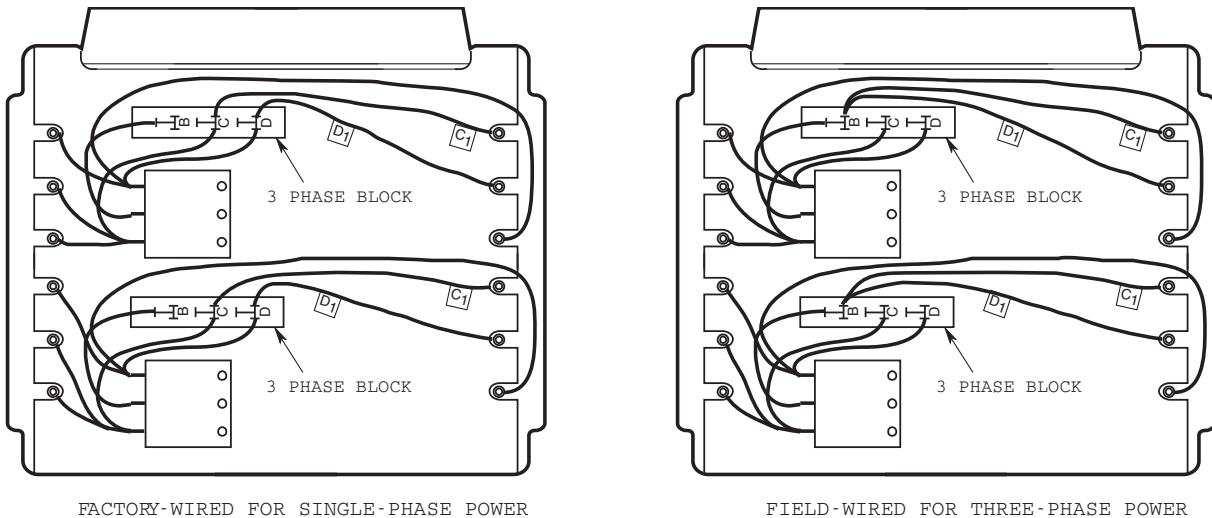


Figure 3b. Wiring Connections for Single-Phase and Three -Phase Power (MUH158)

The relay (contactor) lead wire "A1" must be moved from the end terminal of the power terminal block (terminal closest to the contactor or control terminal board) to the "A" terminal of the lower terminal block (center terminal).

Model MUH158 (Figure 3b) has two three-phase terminal blocks located adjacent to the relays (contactors). Move only the two wires marked "C1" and "D1" on each of these two three-phase terminal blocks to terminal "B". Do not move or change any other wires.

9. Electrical Accessories, either kits or factory-installed options, are shown connected by a dash line on the heater wiring diagram.
10. **208/240 VOLT HEATER:** The heaters are wired for 240V from factory. When heater is to be connected to 208V supply, the transformer leads **MUST BE** interchanged. For units rated 30/40kW or higher, interchange ORANGE and RED primary leads. The black colored lead is the COMMON for the transformer (50VA) provided with the high wattage units. For lower kW rated heaters, interchange BLACK and RED primary leads. The WHITE colored lead is the COMMON for the control transformer provided with these heaters. Always refer to the wiring diagram on the cover of the heater before making this reconnection of transformer primary leads.

Control Wiring

⚠ WARNING ⚠

LINE VOLTAGE IS PRESENT ON SOME OF THE TERMINALS ON THE CONTROL TERMINAL BOARD. ALWAYS DISCONNECT THE POWER FROM THE HEATER BEFORE MAKING ANY CONNECTIONS TO THE CONTROL BOARD TO PREVENT ELECTRIC SHOCK HAZARD.

1. Use min. 600 volts, NEC Class 1 insulated wire for all control circuit wiring.
2. Use a crimp-on type fork terminal on the wire ends that attach to the control terminal board if more than one connection is to be made under the terminal screw.
3. On units not provided with internal contactor (3 & 5 KW), refer to Figure 4 for wiring diagram.

NOTE: Thermostat and control circuit wiring must be suitable to handle the full load of the heater (example MUH0581 is rated 24 amps)

4. On units provided with internal contactor (units rated 7 KW and higher) refer to Figure 5 for wiring diagram. Control wiring must be rated minimum 18 AWG.

OPERATING INSTRUCTIONS

1. Heater must be properly installed before operation.
2. Turn power supply to heater "ON" at main switch panel.
3. Where applicable, refer to control accessory instructions regarding proper operation of any controls or accessories used with the heater.

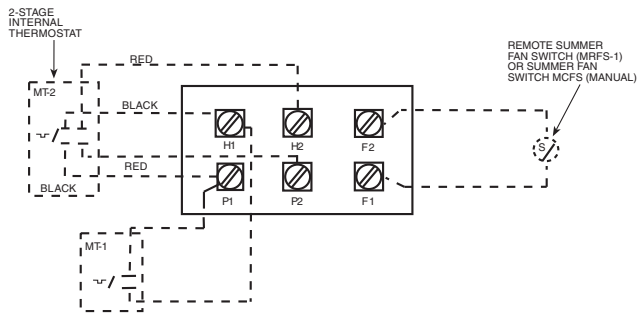


Figure 4. Control Terminal Board (for Heaters Without Contactors)

NOTES:

1. THIS STYLE CONTROL TERMINAL BOARD USED WITH MODELS MUH0321, MUH0371, MUH0381, MUH0521, MUH0571, AND MUH0581.
2. WHEN UNIT IS WIRED FOR SINGLE-PHASE, JUMPER H1 TO H2. IF SINGLE-POLE THERMOSTAT IS USED WITH SINGLE-PHASE UNIT, CONNECT THERMOSTAT LEADS TO P1 AND H1.
3. EXTERNAL LINE VOLTAGE THERMOSTATS SHOULD BE TREATED AS SINGLE STAGE ONLY.

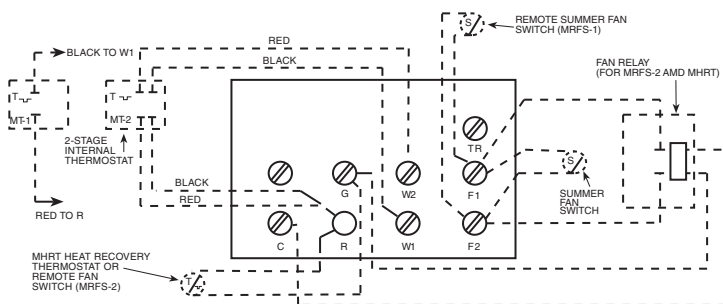


Figure 5. Control Terminal Board (for Heaters With Contactors)

NOTES:

1. THIS STYLE CONTROL TERMINAL BOARD USED WITH MODELS EXCEPT MUH0321, MUH0371, MUH0381, MUH0521, MUH0571, AND MUH0581.
2. REMOVE JUMPER W1 TO W2 WHEN 2-STAGE THERMOSTAT IS USED.
3. *ONLY ONE OF THESE ACCESSORIES MAY BE INSTALLED IN A SINGLE HEATER.
4. EXTERNAL LINE VOLTAGE THERMOSTATS SHOULD BE TREATED AS SINGLE STAGE ONLY.

How To Reset Over -Temperature Safety Control (Factory Installed Option Only):

The limit switch is located internally on the rear of the heater. On the 3KW and 5KW models, the access to the reset button is on the right side (when facing rear of heater); on all other models it is near the top rear of the heater.

The manual reset limit is in series with the automatic recycling protector (limit). The manual reset limit will not reset until the heater has cooled and the button is pushed in.

WARNING

DO NOT TAMPER WITH OR BYPASS ANY SAFETY LIMITS INSIDE HEATER.

CAUTION

CAUTION - DO NOT CONTINUE TO ATTEMPT TO USE THE HEATER IF THE SAFETY CONTROL REPEATEDLY OPERATES AFTER BEING RESET. TO DO SO COULD PERMANENTLY DAMAGE THE HEATER OR CREATE A FIRE OR SAFETY HAZARD.

It is important to keep this heater clean. Your heater will give you years of service and comfort with only minimum care. To assure efficient operation follow the simple instructions below.

WARNING

ALL SERVICING BEYOND SIMPLE CLEANING THAT REQUIRES DISASSEMBLY SHOULD BE PERFORMED BY QUALIFIED SERVICE PERSONNEL.

WARNING

TO REDUCE RISK OF FIRE AND ELECTRIC SHOCK OR INJURY, DISCONNECT ALL POWER COMING TO HEATER AT MAIN SERVICE PANEL AND CHECK THAT THE ELEMENT IS COOL BEFORE SERVICING OR PERFORMING MAINTENANCE.

User Cleaning Instructions:

1. After the heater has cooled, a vacuum cleaner with brush attachment may be used to remove dust and lint from exterior surfaces of the heater including the grille openings.
2. With a damp cloth, wipe dust and lint from grille and exterior surfaces.
3. Return power to heater and check to make sure it is operating properly.

Maintenance Cleaning Instructions:

(To be performed only by Qualified Service Personnel)

At least annually, the heater should be cleaned and serviced by a qualified service person to assure safe and efficient operation. This should include as necessary, vacuuming dust and debris from the elements and fan, and checking all screw lug connections for tightness to a recommended minimum torque of 35 in-lbs. (3.9 N-m). After completing the cleaning and servicing, the heater should be fully reassembled and checked for proper operation.

MAINTENANCE INSTRUCTIONS

It is important to keep this heater clean. Your heater will give you years of service and comfort with only minimum care. To assure efficient operation follow the simple instructions below.

WARNING

ALL SERVICING BEYOND SIMPLE CLEANING THAT REQUIRES DISASSEMBLY SHOULD BE PERFORMED BY QUALIFIED SERVICE PERSONNEL.

WARNING

TO REDUCE RISK OF FIRE AND ELECTRIC SHOCK OR INJURY, DISCONNECT ALL POWER COMING TO HEATER AT MAIN SERVICE PANEL AND CHECK THAT THE ELEMENT IS COOL BEFORE SERVICING OR PERFORMING MAINTENANCE.

User Cleaning Instructions:

1. After the heater has cooled, a vacuum cleaner with brush attachment may be used to remove dust and lint from exterior surfaces of the heater including the grille openings.
2. With a damp cloth, wipe dust and lint from grille and exterior surfaces.
3. Return power to heater and check to make sure it is operating properly.

MUH

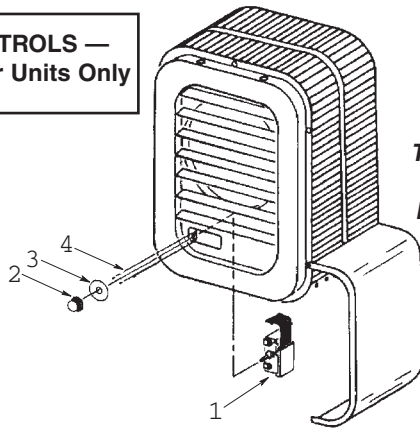
Built-in Controls

Key No.	Description	Part Number
1	Thermostat, One Pole (MT-1)	5813-0036-000
	Thermostat, Two Stage (MT-2)	5813-0035-000
2	Knob, Thermostat	3301-0060-000
3	Label, Thermostat	3502-1781-000
4	Screws, Fl. Hd., 6-32 x 1/4	5202-7009-021
5	Clip, Thermostat	1403-0041-000
6	Switch, 25A, OEM	5216-0132-000
	Switch, 25A, K & N	5216-0204-000
	Switch, 63A, OEM	5216-0131-000
	Switch, 63A, K & N	5216-0203-000
7	Screw, M4 x 10, Rd. Hd., (25A)	—
	Screw, 63A, M5 x 16, Rd. Hd.	—
8	Knob, 25A, OEM "T1"	OEM "T1"
	Knob, 25A, K & N	K & N S1B 6001
	Knob, 63A, OEM	OEM "S4"
	Knob, 63A, K & N	K & N S2B G001
	Knob, Electro	EI 141747
9	Switch, Toggle, 600V	5216-0130-000
10	Relay, Fan, 24V Coil	5018-0008-000
11	Switch Assembly	5216-0199-000
12	Manual Reset Limit	4520-0012-000

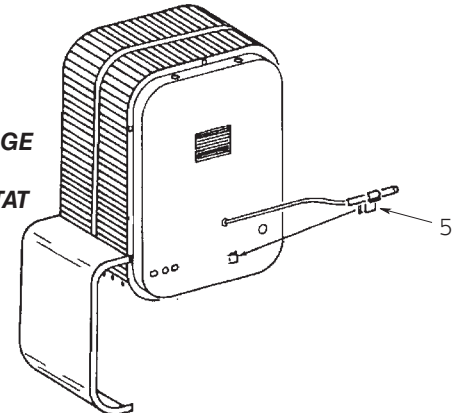
Heater Replacement Parts

Key No.	Description	Part Number
1	Spring, Element (used on MUH03 thru MUH-20 only)	5208-0073-000
	Spring, Element (used on MUH-25 thru MUH-50 only)	5208-0073-001
2	Spring, Capillary Tube	5208-0072-000
3	Spring, Element Retainer	5208-0074-000
4	Switch (used on MUH-25 thru MUH-50 only)	5216-7076-001
5	Insulator (used on MUH-25 thru MUH-50 only)	2900-0031-000
6	Bracket Extension (used on MUH-15, MUH-20, MUH-40 and MUH-50 only)	1215-0282-000
7	Switch Bracket	1215-0256-000
8	Fan Delay	4520-0010-000
14	Speed Nut	4100-7036-026
15	Bracket, Captive Screw (used on MUH-03 thru MUH-20 only)	1215-0291-000
	Bracket, Captive Screw (used on MUH-25 thru MUH-50 only)	1215-0289-000
17	Protector, Linear Limit (used on MUH03 thru MUH05 only)	4520-0011-000
	Protector, Linear Limit (used on MUH-07 thru MUH-20 only)	4520-0011-001
	Protector, Linear Limit (used on MUH-25 thru MUH-50 only)	4520-0011-002
20	Clamp (used on MUH-20 thru MUH-50 only)	1417-5004-000
	Bracket, Mounting Capacitor (used on MUH-20-8 only)	1215-0314-000
22	Terminal Lug (used on MUH-07 thru MUH-50 only)	3504-7002-001
25	Bushing (used on MUH-20 thru MUH-50 only)	25221-60131
26	Washer, Ground (used on MUH03 thru MUH05 only)	6401-0084-000
27	Screw, Ground (used on MUH03 thru MUH05 only)	5202-0290-002
28	Louver (used on MUH03 thru MUH05 only)	3503-0036-000
	Louver (used on MUH-07 thru MUH-20 only)	3503-0036-001
	Louver (used on MUH-25 thru MUH-50 only)	3503-0036-002
29	Spring, Louver	5208-7005-001
32	Terminal Block, 3-Phase (used on MUH05-21, MUH-07-02, and MUH-10-2 only)	5823-0003-000
	Terminal Block, 3-Phase (used on MUH05-81, MUH-07-8, and MUH-15-8 only)	5823-0003-000
33	Terminal Doublers (used where required)	5819-7012-005

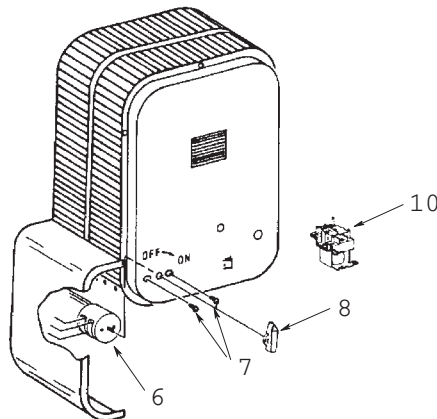
**BUILT-IN CONTROLS —
Made-to-Order Units Only**



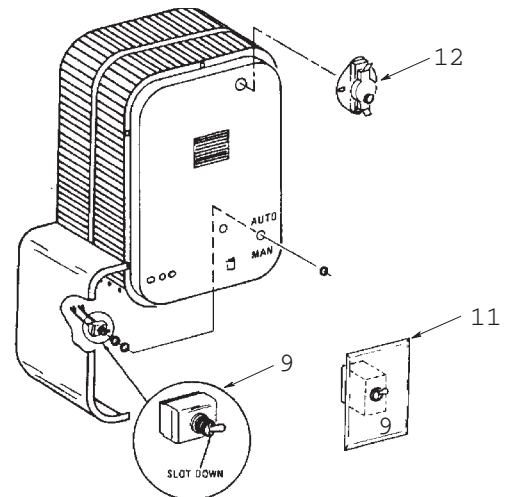
**SINGLE-POLE
THERMOSTAT, TWO-STAGE
THERMOSTAT, HEAT
RECOVERY THERMOSTAT**



**POWER
DISCONNECT
SWITCH**

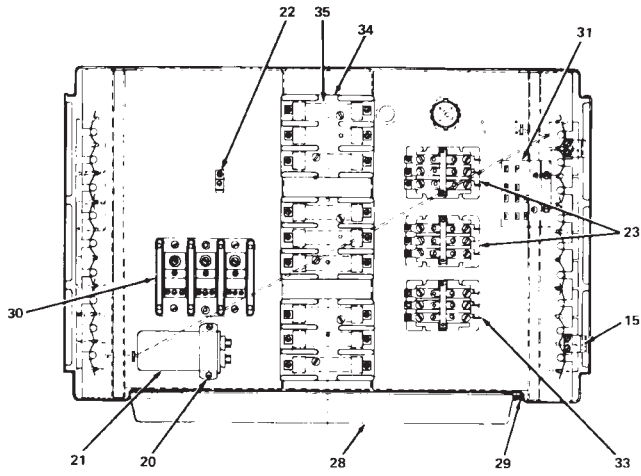


**SUMMER
FAN
SWITCH**

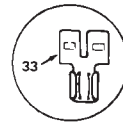


7

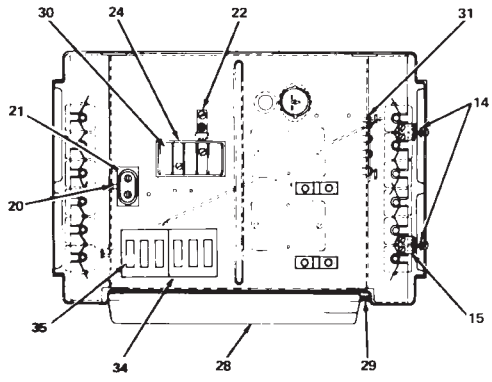
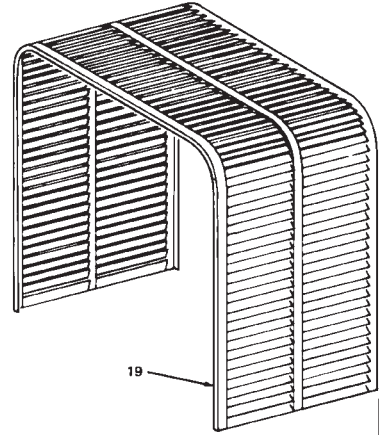
7



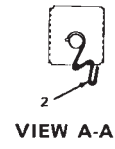
**VIEW D-D
(MUH-25 THRU MUH-50 ONLY)**



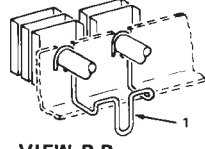
**TERMINAL DOUBLER
(USED AS REQUIRED)**



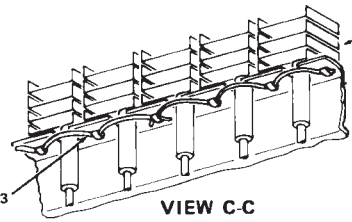
**VIEW D-D
(MUH-07 THRU MUH-20 ONLY)**



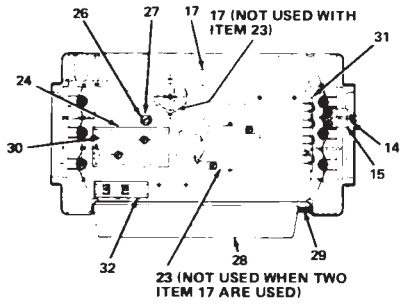
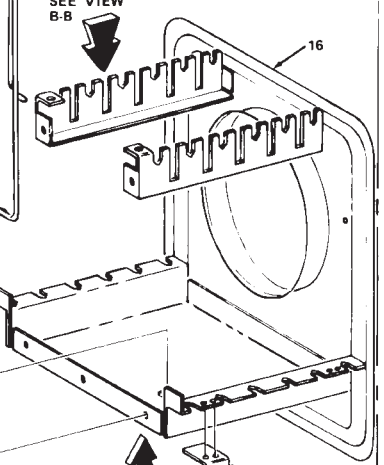
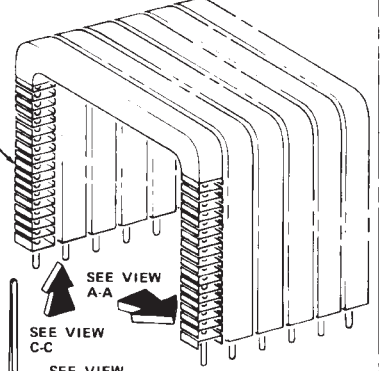
VIEW A-A



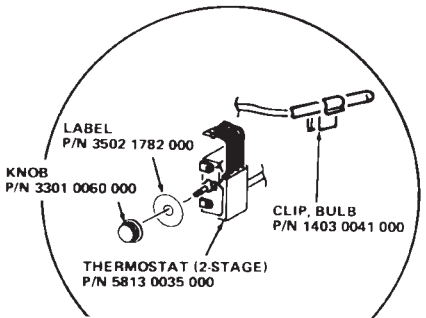
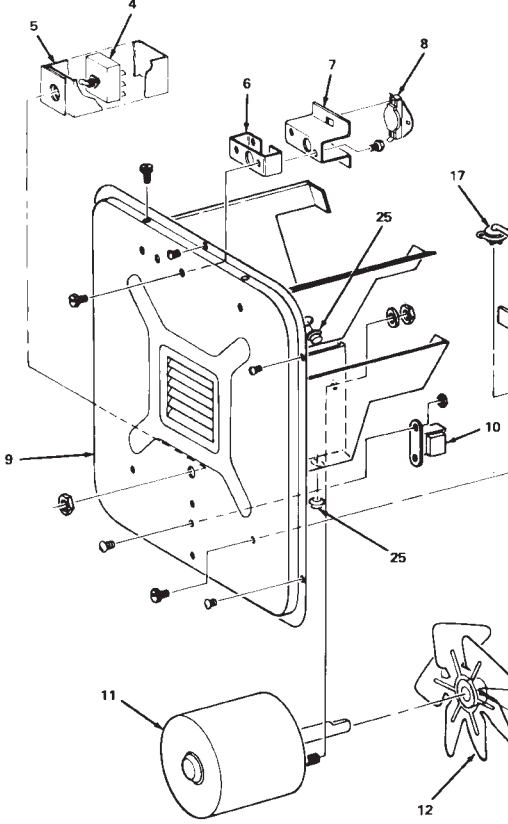
VIEW B-B



VIEW C-C



**VIEW D-D
(MUH03 THRU MUH05 ONLY)**



**THESE PARTS ARE USED
ON MODEL MUH05-21T ONLY**

Model No.	⑨ Back Case	⑩ Transformer**	⑪ Motor	⑫ Fan Blade	⑬ Cover	⑯ Front Case	⑰ Element Assy.	⑱ Element Guard	⑳ Capacitor
MUH03-21	1425-2004-000	—	3900-2002-006	1210-2000-000	1402-0336-001	1425-0009-005	1802-0087-000	2504-0011-000	—
MUH03-41	1425-2004-000	5814-0003-002	3900-2005-000	1210-2000-000	1402-0336-001	1425-0009-005	1802-0087-002	2504-0011-000	—
MUH03-71	1425-2004-000	—	3900-2002-007	1210-2000-000	1402-0336-001	1425-0009-005	1802-0087-001	2504-0011-000	—
MUH03-81	1425-2004-000	—	3900-2002-006	1210-2000-000	1402-0336-001	1425-0009-005	1802-0087-024	2504-0011-000	—
MUH05-21MG	1425-2004-000	—	3900-2002-006	1210-2000-000	1402-0336-001	1425-0009-005	1802-0087-003	2504-0011-000	—
MUH05-41	1425-2004-000	5814-0003-002	3900-2005-000	1210-2000-000	1402-0336-001	1425-0009-005	1802-0087-005	2504-0011-000	—
MUH05-71	1425-2004-000	—	3900-2002-007	1210-2000-000	1402-0336-001	1425-0009-005	1802-0087-004	2504-0011-000	—
MUH05-81MG	1425-2004-000	—	3900-2002-006	1210-2000-000	1402-0336-001	1425-0009-005	1802-0087-025	2504-0011-000	—
MUH-07-2	1425-0010-004	5814-0003-000	3900-2014-002	1210-0090-000	1402-0339-002	1425-0009-006	1802-0087-006	2504-0013-001	—
MUH-07-4	1425-0010-004	5814-0003-002	3900-0347-005	1210-0090-000	1402-0339-002	1425-0009-006	1802-0087-008	2504-0013-001	—
MUH-07-7	1425-0010-004	5814-0003-001	3900-2014-003	1210-0090-000	1402-0339-002	1425-0009-006	1802-0087-007	2504-0013-001	—
MUH-07-8	1425-0010-004	5814-0003-000	3900-2014-001	1210-0090-000	1402-0339-002	1425-0009-006	1802-0087-031	2504-0013-001	—
MUH-10-2	1425-0010-004	5814-0003-000	3900-2014-002	1210-0090-000	1402-0339-002	1425-0009-006	1802-0087-031	2504-0013-001	—
MUH-10-4	1425-0010-004	5814-0003-002	3900-0347-005	1210-0090-000	1402-0339-002	1425-0009-006	1802-0087-011	2504-0013-001	—
MUH-10-7	1425-0010-004	5814-0003-001	3900-2014-003	1210-0090-000	1402-0339-002	1425-0009-006	1802-0087-010	2504-0013-001	—
MUH-10-8	1425-0010-004	5814-0003-000	3900-2014-001	1210-0090-000	1402-0339-002	1425-0009-006	1802-0087-036	2504-0013-001	—
MUH-15-2	1425-0014-000	5814-0003-000	3900-0361-000	1210-0090-001	1402-0339-003	1425-0009-007	1802-0087-012	2504-0012-001	—
MUH-15-4	1425-0014-000	5814-0003-002	3900-0361-001	1210-0090-001	1402-0339-003	1425-0009-007	1802-0087-013	2504-0012-001	—
MUH-15-8	1425-0014-000	5814-0003-000	3900-0361-002	1210-0090-001	1402-0339-003	1425-0009-009	1802-0087-031	2504-0012-001	—
MUH-20-2	1425-0013-000	5814-0003-000	3900-0362-000	1210-0096-000	1402-0339-003	1425-0009-007	1802-0087-014	2504-0012-001	1432-0002-003
MUH-20-4	1425-0013-000	5814-0003-002	3900-0362-001	1210-0096-000	1402-0339-003	1425-0009-007	1802-0087-015	2504-0012-001	1432-0002-003
MUH-20-8	1425-0013-000	5814-0003-000	3900-0362-002	1210-0096-000	1402-0339-003	1425-0009-011	1802-0087-026	2504-0012-001	1432-0002-003
MUH-25-2	1425-0011-003	5814-0003-000	3900-0364-000	1210-0098-000	1402-0340-002	1425-0012-003	1802-0087-016	2504-0014-001	1432-0002-001
MUH-25-4	1425-0011-003	5814-0003-002	3900-0363-001	1210-0098-000	1402-0340-002	1425-0012-003	1802-0087-017	2504-0014-001	1432-0002-003
MUH-30-2	1425-0011-003	5814-0003-000	3900-0364-000	1210-0098-000	1402-0340-002	1425-0012-003	1802-0087-018	2504-0014-001	1432-0002-001
MUH-30-4	1425-0011-003	5814-0003-002	3900-0363-000	1210-0098-000	1402-0340-002	1425-0012-003	1802-0087-019	2504-0014-001	1432-0002-003
MUH-30-8	1425-0011-003	5814-0003-000	3900-0364-000	1210-0098-000	1402-0340-002	1425-0009-009	1802-0087-028	2504-0014-001	1432-0002-001
MUH-40-2	1425-0011-001	5814-0003-000	3900-0350-000	1210-0097-000	1402-0340-003	1425-0012-002	1802-0087-020	2504-0015-001	1432-0002-004
MUH-40-4	1425-0011-001	5814-0003-002	3900-0350-001	1210-0097-000	1402-0340-003	1425-0012-002	1802-0087-021	2504-0015-001	1432-0002-004
MUH-50-2	1425-0011-001	5814-0003-000	3900-0350-000	1210-0097-000	1402-0340-003	1425-0012-002	1802-0087-022	2504-0015-001	1432-0002-004
MUH-50-4	1425-0011-001	5814-0003-002	3900-0350-001	1210-0097-000	1402-0340-003	1425-0012-002	1802-0087-023	2504-0015-001	1432-0002-004
MUH-50-8	1425-0011-001	5814-0003-000	3900-0350-002	1210-0097-000	1402-0340-003	1425-0012-002	1802-0087-030	2504-0015-001	1432-0002-004

Model No.	㉓ Relay***	㉔ Insulator	㉓ Terminal Block, Power	㉑ Terminal Block, Control	㉒ Fuse Block	㉕ Fuse
MUH03-21	—	—	5823-0004-000	5823-0001-000	—	—
MUH03-41	5018-0004-100	2900-0030-000	5823-0004-000	5823-0002-000	—	—
MUH03-71	—	2900-0030-000	5823-0004-000	5823-0001-000	—	—
MUH03-81	—	—	5823-0004-000	5823-0001-000	—	—
MUH05-21MG	5018-0003-002	—	5823-0004-000	5823-0002-000	—	—
MUH05-41	5018-0004-100	2900-0030-000	5823-0004-000	5823-0002-000	—	—
MUH05-71	—	2900-0030-000	5823-0004-000	5823-0001-000	—	—
MUH05-81MG	5018-0003-002	—	5823-0004-000	5823-0002-000	—	—
MUH-07-2	5018-0003-000	—	5823-0004-000	5823-0002-000	—	—
MUH-07-4	5018-0004-100	2900-0030-000	5823-0004-000	5823-0002-000	—	—
MUH-07-7	5018-0004-100	2900-0030-000	5823-0004-000	5823-0002-000	—	—
MUH-07-8	5018-0003-000	—	5823-0004-000	5823-0002-000	—	—
MUH-10-2	5018-0003-000	—	5823-0004-000	5823-0002-000	—	—
MUH-10-4	5018-0004-100	2900-0030-000	5823-0004-000	5823-0002-000	—	—
MUH-10-7	5018-0003-000	2900-0030-000	5823-0004-000	5823-0002-000	—	—
MUH-10-8	5018-0004-100	—	5823-0004-000	5823-0002-000	—	—
MUH-15-2	5018-0005-004	—	5823-0004-001	5823-0002-000	—	—
MUH-15-4	5018-0004-100	2900-0030-000	5823-0004-000	5823-0002-000	—	—
MUH-15-8	5018-0005-008	—	5823-0004-003	5823-0002-000	2025-0002-000	2019-0007-010
MUH-20-2	5018-0006-000	—	5823-0004-002	5823-0002-000	—	—
MUH-20-4	5018-0004-100	2900-0030-000	5823-0004-000	5823-0002-000	—	—
MUH-20-8	5018-0005-000	—	5823-0004-002	5823-0002-000	2025-0002-000	2019-0007-008
MUH-25-2	5018-0005-004	—	5823-0004-002	5823-0002-000	2025-7002-000	2019-7008-077
MUH-25-4	5018-0005-004	2900-0030-000	5823-0004-001	5823-0002-000	—	—
MUH-30-2	5018-0005-004	—	5823-0004-003	5823-0002-000	2025-7002-000	2019-7008-079
MUH-30-4	5018-0005-004	2900-0030-000	5823-0004-001	5823-0002-000	—	—
MUH-30-8	5018-0006-000	—	5823-0005-000	5823-0002-000	2025-7002-000	2019-7008-080
MUH-40-2	5018-0005-004	—	5823-0005-000	5823-0002-000	2025-7002-000	2019-7008-079
MUH-40-4	*	2900-0030-000	5823-0004-002	5823-0002-000	2025-7002-000	2019-7008-079
MUH-50-2	5018-0005-004	—	5823-0005-000	5823-0002-000	2025-7002-000	2019-7008-080
MUH-50-4	*	2900-0030-000	5823-0004-002	5823-0002-000	—	—
MUH-50-8	5018-0006-000	—	5823-0005-000	5823-0002-000	2025-7002-000	2019-7008-078

* Two relays are used: 35A relay P/N 5018-0004-000 and 40A relay P/N 5018-0006-000.

** 24V secondary shown. For 120V secondary, increase last digit by 3. (i.e. for MUH03-41, 24V secondary use 5814-0003-002; for 120V secondary use 5814-0003-005.)

*** 24V H.C. shown. For 120 H.C., increase last digit by 1. (i.e.: for MUH03-41, 24V H.C. use 5018-0004-000; for 120V H.C. use 5018-0004-001.)

Maintenance Cleaning Instructions:

(To be performed only by Qualified Service Personnel)

At least annually, the heater should be cleaned and serviced by a qualified service person to assure safe and efficient operation. This should include as necessary, vacuuming dust and debris from the elements and fan, and checking all screw lug connections for tightness to a recommended minimum torque of 35 in-lbs. (3.9 N-m). After completing the cleaning and servicing, the heater should be fully reassembled and checked for proper operation.

LIMITED WARRANTY

All products manufactured by Marley Engineered Products are warranted against defects in workmanship and materials for one year from date of installation, except heating elements which are warranted against defects in workmanship and materials for five years from date of installation. This warranty does not apply to damage from accident, misuse, or alteration; nor where the connected voltage is more than 5% above the nameplate voltage; nor to equipment improperly installed or wired or maintained in violation of the product's installation instructions. All claims for warranty work must be accompanied by proof of the date of installation.

The customer shall be responsible for all costs incurred in the removal or reinstallation of products, including labor costs, and shipping costs incurred to return products to Marley Engineered Products Service Center. Within the limitations of this warranty, inoperative units should be returned to the nearest Marley authorized service center or the Marley Engineered Products Service Center, and we will repair or replace, at our option, at no charge to you with return freight paid by Marley. It is agreed that such repair or replacement is the exclusive remedy available from Marley Engineered Products.

THE ABOVE WARRANTIES ARE IN LIEU OF ALL OTHER WARRANTIES EXPRESSED OR IMPLIED, AND ALL IMPLIED WARRANTIES OF MERCHANTABILITY AND FITNESS FOR A PARTICULAR PURPOSE WHICH EXCEED THE AFORESAID EXPRESSED WARRANTIES ARE HEREBY DISCLAIMED AND EXCLUDED FROM THIS AGREEMENT. MARLEY ENGINEERED PRODUCTS SHALL NOT BE LIABLE FOR CONSEQUENTIAL DAMAGES ARISING WITH RESPECT TO THE PRODUCT, WHETHER BASED UPON NEGLIGENCE, TORT, STRICT LIABILITY, OR CONTRACT.

Some states do not allow the exclusion or limitation of incidental or consequential damages, so the above exclusion or limitation may not apply to you. This warranty gives you specific legal rights, and you may also have other rights which vary from state to state.

For the address of your nearest authorized service center, contact Marley Engineered Products in Bennettsville, SC, at 1-800-642-4328. Merchandise returned to the factory must be accompanied by a return authorization and service identification tag, both available from Marley Engineered Products. When requesting return authorization, include all catalog numbers shown on the products.

HOW TO OBTAIN WARRANTY SERVICE AND WARRANTY PARTS PLUS GENERAL INFORMATION

- | | |
|--------------------------------|--|
| 1. Warranty Service or Parts | 1-800-642-4328 |
| 2. Purchase Replacement Parts | 1-800-654-3545 |
| 3. General Product Information | www.marleymep.com |

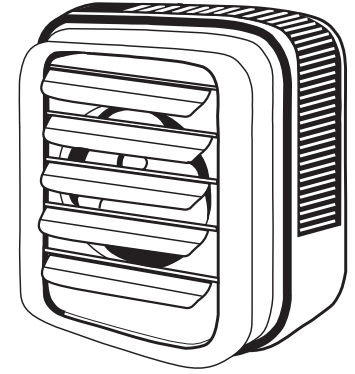
Note: When obtaining service always have the following:

1. Model number of the product
2. Date of manufacture
3. Part number or description



Marley[®]
Engineered Products

470 Beauty Spot Rd. East
Bennettsville, SC 29512 USA



Serie MUH

Unidades calefactoras modulares



Instrucciones de instalación, operación y mantenimiento

Especificaciones

Modelo básico N°	Altura, pulg. (mm)	Ancho, pulg. (mm)	Prof., pulg. (mm)	Peso de montaje lb (kg)	Volumen del compartimiento de cables				
MUH0381	16 (406.4)	14 (355.6)	7 1/2 (190.5)	27 (12.2)	90 pulg. ³ (14.70 cm ³)				
MUH0321				27 (12.2)					
MUH0371				27 (12.2)					
MUH0341				30 (13.6)					
MUH0581				27 (12.2)					
MUH0521				27 (12.2)					
MUH0571				27 (12.2)					
MUH0541				30 (13.6)					
MUH0331				30 (13.6)					
MUH0361				30 (13.6)					
MUH0531				30 (13.6)					
MUH0561				30 (13.6)					
MUH078				21 3/4 (552.5)		19 (482.6)	7 1/2 (190.5)	38 (17.2)	100 pulg. ³ (1639 cm ³)
MUH072								38 (17.2)	
MUH077	38 (17.2)								
MUH074	38 (17.2)								
MUH108	38 (17.2)								
MUH102	38 (17.2)								
MUH107	38 (17.2)								
MUH104	38 (17.2)								
MUH073	38 (17.2)								
MUH076	38 (17.2)								
MUH103	38 (17.2)								
MUH106	38 (17.2)								

Modelo básico N°	Altura, pulg. (mm)	Ancho, pulg. (mm)	Prof., pulg. (mm)	Peso de montaje lb (kg)	Volumen del compartimiento de cables				
MUH158	21 3/4 (552.5)	19 (482.6)	12 3/4 (323.9)	54 (24.5)	140 pulg. ³ (2295 cm ³)				
MUH152				50 (22.7)					
MUH154				50 (22.7)					
MUH208				60 (27.2)					
MUH202				55 (24.9)					
MUH204				55 (24.9)					
MUH156				55 (24.9)					
MUH206				55 (24.9)					
MUH252				30 (76.2)		26 5/8 (676.4)	11 3/4 (298.5)	89 (40.4)	504 pulg. ³ (8260 cm ³)
MUH254								89 (40.4)	
MUH308	89 (40.4)								
MUH302	89 (40.4)								
MUH304	89 (40.4)								
MUH256	89 (40.4)								
MUH306	89 (40.4)								
MUH402	30 (76.2)	26 5/8 (676.4)	17 1/4 (435.1)	119 (54.0)	648 pulg. ³ (10620 cm ³)				
MUH404				119 (54.0)					
MUH508				119 (54.0)					
MUH502				119 (54.0)					
MUH504				119 (54.0)					
MUH406				119 (54.0)					
MUH506				119 (54.0)					

INSTRUCCIONES IMPORTANTES



ADVERTENCIA



AL UTILIZAR ARTEFACTOS ELÉCTRICOS, PARA REDUCIR EL RIESGO DE INCENDIO, CHOQUE ELÉCTRICO Y LESIONES PERSONALES DEBEN OBSERVARSE SIEMPRE ALGUNAS PRECAUCIONES BÁSICAS, COMO LAS SIGUIENTES:

1. Lea todas las instrucciones antes de instalar o utilizar este calefactor.
2. Este calefactor es un producto comercial/industrial, que no está destinado a su empleo en un entorno residencial.
3. Cuando está en funcionamiento, el calefactor está muy caliente. Para evitar quemaduras, no deje que su piel haga contacto directo con las superficies calientes. Mantenga los materiales combustibles como muebles, almohadas, ropas de cama, papeles, ropas, cortinas, etc. a 0.9 m (3 pies) como mínimo del frente del calefactor.
4. Se necesita extremo cuidado al utilizar cualquier calefactor junto a o cerca de niños o inválidos, y en todo momento en que el calefactor quede funcionando y desatendido.
5. Este calefactor tiene en su interior piezas calientes y piezas en las que se producen arcos o chispas, y no está destinado a su empleo en atmósferas peligrosas en las que se usen o almacenen vapores, gases o líquidos inflamables u otras atmósferas combustibles como las define el Código Eléctrico Nacional de los EE. UU. Si no se cumple esto puede producirse una explosión o incendio.
6. No opere ningún calefactor después de que haya tenido una falla de funcionamiento. Desconecte la alimentación eléctrica en el

tablero de servicio y haga revisar el calefactor por un electricista calificado antes de usarlo.

7. No use el equipo en exteriores.
8. Para desconectar el calefactor, lleve los controles a la posición Apagado (OFF) y desconecte la alimentación del circuito del calefactor en el tablero de desconexión principal.
9. No inserte ni permita que entren objetos extraños en ninguna abertura de ventilación o de descarga, porque esto puede ser causa de choque eléctrico, incendio o daño al calefactor.
10. Para evitar un posible incendio, no bloquee de ningún modo la entrada ni la descarga de aire.
11. Utilice este calefactor únicamente de la manera descrita en este manual. Todo otro uso no recomendado por el fabricante puede originar un incendio.
12. Este calefactor no está destinado a su empleo en entornos especiales. No lo use en lugares húmedos o mojados como zonas marítimas o invernaderos, ni en áreas en las que estén presentes agentes químicos o corrosivos.
13. Al realizar la instalación, vea las advertencias y precauciones adicionales en las INSTRUCCIONES DE INSTALACIÓN.
14. Para asegurar una operación segura y eficiente, y para extender la vida útil de su calefactor, manténgalo limpio. Vea las INSTRUCCIONES DE MANTENIMIENTO.

GUARDE ESTAS INSTRUCCIONES

INSTRUCCIONES DE INSTALACIÓN



ADVERTENCIA



Para evitar un posible incendio, lesiones personales o daños al calefactor, observe lo siguiente:

1. Antes de proceder a tareas de conexión o de reparación del calefactor, desconecte toda la alimentación eléctrica que llega al mismo desde el tablero principal de servicio.

Nota importante: este calefactor debe ser instalado por personal calificado.

2. Todos los procedimientos de cableado y conexiones deben hacerse de conformidad con los códigos nacionales y locales que tengan jurisdicción, y el calefactor debe estar conectado a tierra.
3. Verifique que la tensión de alimentación provista al calefactor coincida con la tensión nominal indicada en la placa de características del mismo.

ATENCIÓN: SI SE ENERGIZA UN CALEFACTOR CON UNA TENSIÓN MAYOR QUE EL VALOR DE TENSIÓN IMPRESO EN LA PLACA DE CARACTERÍSTICAS, SE DAÑARÁ EL CALEFACTOR, SE ANULARÁ LA GARANTÍA, Y PODRÍA PRODUCIRSE UN INCENDIO.

4. Para reducir el riesgo de incendio, no almacene ni use gasolina u otros vapores y líquidos inflamables en las cercanías del calefactor.
5. La estructura de montaje en el cielorraso o la pared, así como los medios de anclaje, deben tener la resistencia suficiente para soportar el peso combinado del calefactor y del soporte de montaje.
6. Todos los termostatos incorporados: si el calefactor se usa para prevenir el congelamiento de tuberías o líquidos y el termostato se ajusta por debajo de 7 °C (45 °F), el ventilador debe funcionar continuamente.
7. El calefactor debe montarse al menos a 2134 mm (7') encima del piso para evitar el contacto accidental con la paleta del ventilador, lo que podría causar lesiones.
8. Mantenga un espacio libre de 1524 mm (5') como mínimo delante del calefactor. Para ver los requisitos de espacio libre lateral, superior y posterior consulte la Tabla 1.
9. No monte un termostato de mercurio directamente sobre la unidad. La vibración podría hacer que el calefactor funcione mal.

Instrucciones sobre la ubicación del calefactor

Disponga las unidades de manera que las corrientes de aire de descarga:

- a. Estén sujetas a un mínimo de interferencia a causa de columnas, maquinaria y tabiques;
- b. Se deslicen por las paredes expuestas sin impactar directamente contra ellas.
- c. Se dirijan lejos de los ocupantes de la habitación en aplicaciones de calefacción ambiental;
- d. Se dirijan a lo largo del lado de donde viene el viento, cuando se instalan

en un edificio expuesto a un viento preponderante.

Localice los termostatos aproximadamente 1524 mm (5') por encima del piso, en paredes divisorias interiores, o colóquelos lejos de corrientes de aire frío, fuentes de calor internas y de las corrientes de aire de descarga de calefactores.

Las habitaciones pequeñas pueden usar una unidad calefactora única.

Las habitaciones grandes requieren instalaciones de unidades múltiples. La cantidad y la capacidad de las unidades se determinará de acuerdo con el volumen del edificio y el área de piso (pies cuadrados) a calefaccionar. Disponga las unidades para proporcionar una circulación de aire perimetral, en la que cada unidad soporte la corriente de aire de otra.

Montaje del calefactor - Generalidades

El calefactor puede montarse para descargar el aire caliente horizontalmente o verticalmente. Cuando el calefactor se monta para descarga vertical, se recomienda posicionarlo de manera que la puerta de acceso se abra en sentido contrario a la pared, a fin de proporcionar mayor acceso al compartimiento de cables y control. Si el calefactor se va a montar con la puerta de acceso enfrentada a una pared, debe montarse lo suficientemente lejos de esa pared a fin de permitir la apertura plena de la puerta (una distancia aproximadamente igual al ancho del calefactor; verifique el espacio libre antes de la instalación). Para ver los espacios libres en relación con las paredes y el cielorraso antes de montar el calefactor, consulte la Tabla 1.

El calefactor puede montarse para descarga vertical u horizontal, mediante el uso de varillas roscadas. (Para ver los tamaños de varillas roscadas requeridos, consulte la Tabla 2). Observe los procedimientos detallados en las instrucciones de instalación siguientes.

El calefactor puede también ir suspendido de la pared o del cielorraso por medio de un soporte de montaje opcional (tipo MMB o MCMB) que le permite pivotar horizontalmente.

Después de instalar el calefactor, las celosías pueden posicionarse para orientar el aire caliente en la dirección deseada. Cuando el calefactor se instala para descarga horizontal, las celosías deben dirigir el aire en línea recta hacia adelante, o hacia abajo. La orientación hacia arriba puede hacer que el aire caliente permanezca en el área del cielorraso, con lo que se desperdicia energía.

Tabla 1. Espacio libre en relación con las paredes y el cielorraso, pulgadas (mm)

Unidad	Descarga	Cielorraso	Pared lateral	Pared posterior
3 y 5 kW	Horiz.	2 (50.8)	6 (152.4)	9 (228.6)
	Vert.	6 (152.4)	18 (457.2)	18 (457.2)
7.5 a 10 kW	Horiz.	6 (152.4)	6 (152.4)	13 (330.2)
	Vert.	6 (152.4)	24 (609.6)	24 (609.6)
15 a 10 kW	Horiz.	6 (152.4)	9 (228.6)	12½ (317.5)
	Vert.	6 (152.4)	24 (609.6)	24 (609.6)
25 a 50 kW	Horiz.	16 (406.4)	12 (304.8)	18½ (470.0)
	Vert.	12 (304.8)	39 (914.4)	39 (914.4)

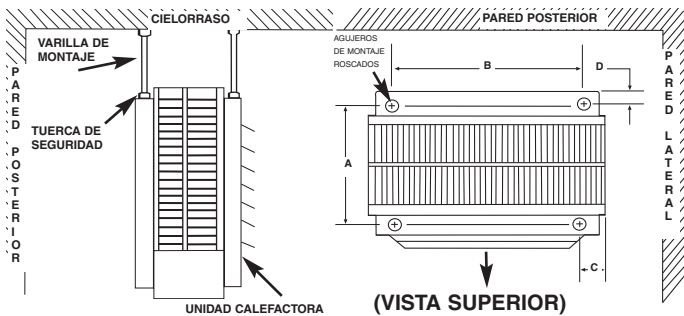


Figura 1. Montaje y espaciado de varillas para descarga horizontal

Tabla 2. Dimensiones de espaciado y rosca de las varillas, pulgadas (mm), para descarga horizontal

Unidad	Tipo de rosca de las varillas	A	B	C	D
3 - 5 kW	5/16 - 18	6 1/16 (153.9)	6 (152.4)	4 1/16 (103.1)	3/4 (19.0)
7.5 - 10 kW		11 3/8 (289.0)	8 7/8 (225.6)	5 1/8 (130.3)	3/4 (19.0)
15 - 20 kW	3/8 - 16	10 9/16 (268.2)	14 - 12 (368.3)	6 3/16 (157.2)	5/8 (16.0)
25 - 30 kW		15 15/16 (404.9)	14 - 12 (368.3)	6 3/16 (157.2)	5/8 (16.0)

Descarga horizontal (montaje con varillas desde el cielorraso)

1. Instale cuatro varillas roscadas de montaje en los agujeros roscados, y asegúrelas en su posición mediante tuercas de seguridad (vea la Tabla 2).
2. Fije firmemente las cuatro varillas de montaje al cielorraso. (Para ver los espacios libres en relación con las paredes y el cielorraso consulte la Tabla 1, y para ver el espaciado de las varillas de montaje consulte la Tabla 2).

Tabla 3. Dimensiones de espaciado y rosca de las varillas, pulgadas (mm), para descarga vertical

Unidad	Tipo de rosca de las varillas	E	F	G	H
3 - 5 kW	5/16 - 18	6 (152.4)	9 3/4 (247.7)	2 (50.8)	4 1/16 (103.1)
7.5 - 20 kW		8 7/8 (225.6)	14 5/8 (371.6)	2 (50.8)	5 1/8 (130.3)
25 - 30 kW	3/8 - 16	14 1/2 (368.3)	21 1/4 (539.8)	2 3/16 (56.0)	6 3/16 (157.2)

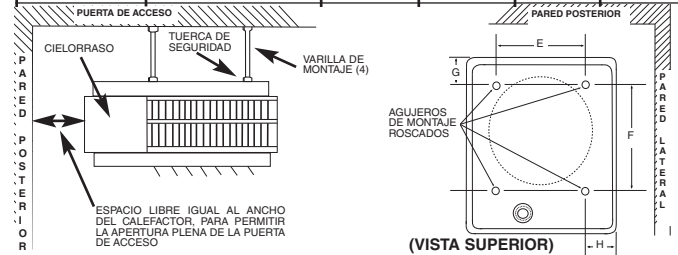


Figura 2. Montaje y espaciado de varillas para descarga vertical

Descarga vertical (montaje con varillas desde el cielorraso)

1. Quite los pernos de los agujeros roscados que están en la parte trasera del calefactor.
2. Instale cuatro varillas roscadas de montaje en los agujeros roscados, y asegúrelas en su posición mediante tuercas de seguridad.
3. Fije firmemente las cuatro varillas de montaje al cielorraso. (Para ver los espacios libres en relación con las paredes y el cielorraso consulte la Tabla 1, y para ver las dimensiones de espaciado de las varillas de montaje consulte la Tabla 3).

Cableado del circuito de derivación (alimentación)

1. Conecte el calefactor únicamente a un circuito apto para la tensión (V), corriente (A) y frecuencia (Hz) especificadas en la placa de características.
2. El cableado de campo debe estar dimensionado correctamente para la corriente (A) que debe conducir, de acuerdo con el NEC.
3. La puerta de acceso está abisagrada. Existen uno o dos tornillos accesibles desde el costado, que deben alojarse para tener acceso. Estos tornillos son del tipo prisionero; no intente quitarlos.
4. Se ha provisto un prepunzonado en la parte posterior del calefactor, cerca de las borneras de alimentación eléctrica y de control. El prepunzonado para la bornera de control es para un tamaño de conducto de 12.7 mm (1/2 pulgada). El prepunzonado para la bornera de alimentación eléctrica es de diámetro múltiple. Use el diámetro que corresponda al tamaño de conducto necesario.
5. Se ha provisto un terminal de masa cerca de la bornera de alimentación eléctrica. El cable de masa debe conectarse antes de hacer las otras conexiones.
6. La bornera de alimentación eléctrica está equipada con terminales dimensionados para aceptar el cable de alimentación eléctrica de calibre correcto. El cable para circuitos de derivación con especificación de 600 V, 60 °C, es aceptable para los calefactores que consumen hasta 80 A. Para los calefactores que consumen más de 80 A, el cable del circuito de derivación debe tener una especificación de 75 °C como mínimo. Para la conexión a los terminales de la bornera de alimentación eléctrica del calefactor pueden usarse tanto cables de cobre como de aluminio. Se recomiendan los cables de cobre, y deben usarse con un interruptor de desconexión incorporado.

- Cada calefactor tiene un diagrama de conexión fijado en el interior de la puerta de acceso. Consulte este diagrama antes de hacer las conexiones de campo.

Nota importante – Par de apriete de los terminales de tornillo en la instalación:

Durante el transporte es posible que las conexiones de los terminales de tornillo se aflojen. Después de la instalación, antes de conectar la alimentación eléctrica al calefactor, revise las conexiones de los terminales de tornillo para verificar que cumplan con el valor de par de apriete recomendado de 3.9 N·m (35 lb·pulg.). Las conexiones flojas pueden ser riesgosas.

- En los modelos de calefactor MUH0521, MUH0581, MUH072, MUH078, MUH102, MUH108 y MUH158 pueden usarse conexiones monofásicas o trifásicas. Estas unidades están cableadas en fábrica para operación monofásica. Si estos calefactores van a usarse con alimentación trifásica, reconecte los cables según se indica en el diagrama de conexión fijado al calefactor. Puede encontrarse información adicional en las ilustraciones de conexión de las Figuras 3a y 3b, y en las instrucciones que siguen a continuación.

En los modelos MUH0521, MUH0581, MUH072, MUH078, MUH102 y MUH108 (Figura 3a), mueva sólo los dos cables marcados 'A1' y 'B1'; no mueva ni cambie ninguna otra conexión. El cable de conexión del elemento calefactor marcado 'B1', que está conectado en fábrica a la bornera de alimentación eléctrica (terminal más cercano a los elementos calefactores), debe moverse al terminal 'B' de la bornera de conexiones trifásicas.

El cable de conexión 'A1' del relé (contactor) debe moverse del terminal extremo de la bornera de alimentación eléctrica (terminal más cercano al contactor o a la bornera de control) al terminal 'A' de la bornera inferior (terminal central).

El modelo MUH158 (Figura 3b) tiene dos borneras de conexiones trifásicas ubicadas adyacentes a los relés (contactores). Mueva únicamente los dos cables marcados 'C1' y 'D1' en cada una de las dos borneras de conexiones trifásicas, al terminal 'B'. No mueva ni cambie ningún otro cable.

- Los accesorios eléctricos, ya sea kits u opciones instaladas en fábrica, se muestran conectados por una línea de trazos en el diagrama de conexión del calefactor.
- CALEFACTOR DE 208/240 VOLTS:** los calefactores están cableados de fábrica para 240 V. Cuando conecte el calefactor a una fuente de alimentación de 208 V DEBE intercambiar los cables de conexión del transformador. Para unidades con una especificación de 30/40 kW o mayor, intercambie los cables de conexión NARANJA y ROJO del primario. El cable de conexión de color NEGRO es el COMÚN (retorno) del transformador (50 VA) suministrado con las unidades de alta potencia (watts). Para calefactores con una especificación más baja de potencia (kW), intercambie los cables de conexión NEGRO y ROJO del primario. El cable de conexión de color BLANCO es el COMÚN (retorno) del transformador de control suministrado con estos calefactores. Antes de realizar esta reconexión de los cables de conexión del primario del transformador, consulte siempre el diagrama de conexión en la cubierta del calefactor.

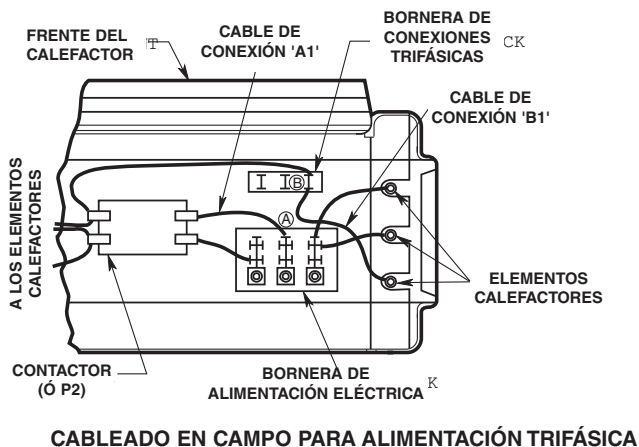
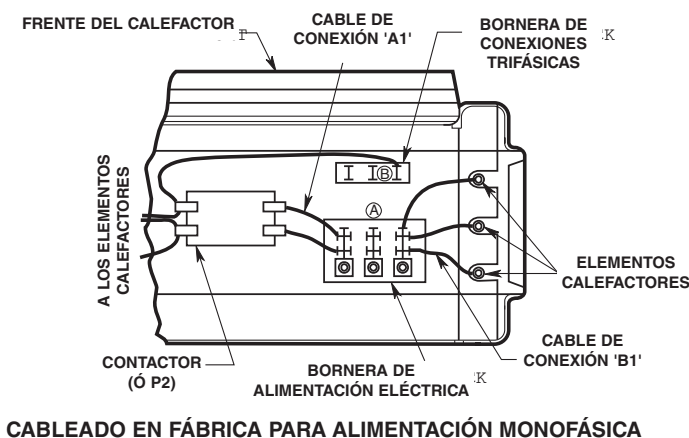


Figura 3a. Conexiones de cables para alimentación monofásica y trifásica (MUH0521, MUH0581, MUH072, MUH078, MUH102 y MUH108)

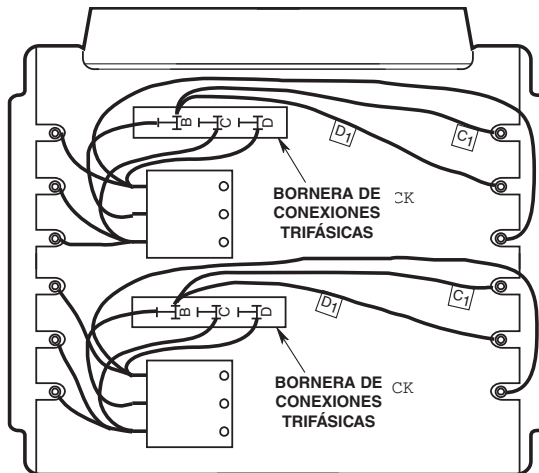
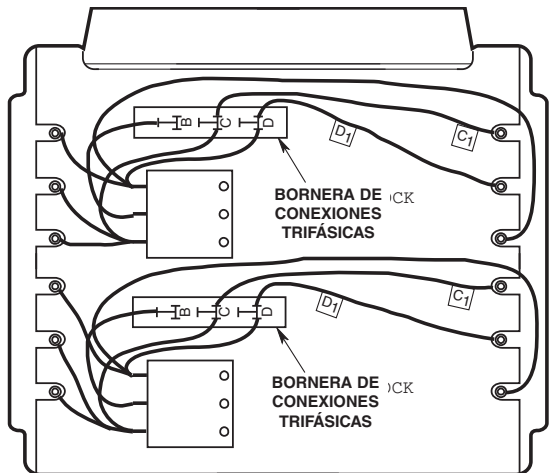


Figura 3b. Conexiones de cables para alimentación monofásica y trifásica (MUH158)

Conexión de control

⚠️ ADVERTENCIA ⚠️

EN ALGUNOS TERMINALES DE LA BORNERA DE CONTROL ESTÁ PRESENTE LA TENSIÓN DE LÍNEA. DESCONECTE SIEMPRE LA ALIMENTACIÓN ELÉCTRICA DEL CALEFACTOR ANTES DE HACER CONEXIONES A LA PLACA DE CONTROL, A FIN DE EVITAR UN RIESGO DE CHOQUE ELÉCTRICO.

1. Use para el cableado del circuito de control cables aislados, NEC Clase 1, 600 volts como mínimo.
2. Si se va a hacer más de una conexión bajo el tornillo de un terminal de la bornera de control, use un terminal tipo horquilla engarzado a presión en los extremos de cable.
3. Para ver el diagrama de conexionado de las unidades no provistas de contactor interno (3 y 5 kW), consulte la Figura 4.

NOTA: el cableado del termostato y del circuito de control deben ser aptos para manejar la carga plena del calefactor (por ejemplo, el consumo nominal del MUH0581 es 24 A).

4. Para ver el diagrama de conexionado de las unidades provistas de contactor interno (unidades de 7 kW y mayores), consulte la Figura 5. El cableado de control debe tener un calibre 18 AWG como mínimo.

INSTRUCCIONES DE OPERACIÓN

1. El calefactor debe instalarse correctamente antes de ponerlo en funcionamiento.
2. Conecte la alimentación eléctrica al calefactor en el tablero de distribución principal.
3. Donde sea aplicable, para ver la operación correcta de los controles y accesorios que pueda utilizar el calefactor consulte las instrucciones de los accesorios de control.

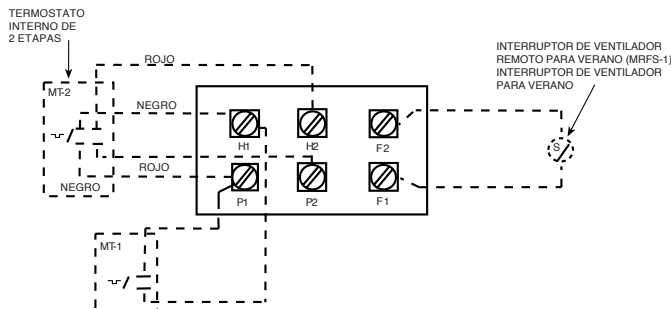


Figura 4. Bornera de control (para calefactores sin contactor)

NOTAS:

1. LA BORNERA DE CONTROL DE ESTE TIPO SE USA CON LOS MODELOS MUH0321, MUH0371, MUH0381, MUH0521, MUH0571 Y MUH0581.
2. CUANDO LA UNIDAD SE CABLEA PARA CONEXIÓN MONOFÁSICA, PUENTE H1 CON H2. SI SE USA UN TERMOSTATO UNIPOLAR CON LA UNIDAD MONOFÁSICA, CONECTE LOS CABLES DE CONEXIÓN DEL TERMOSTATO A P1 Y H1.
3. LOS TERMOSTATOS PARA TENSIÓN DE LÍNEA EXTERNA DEBEN CONSIDERARSE COMO DE UNA ETAPA ÚNICAMENTE.

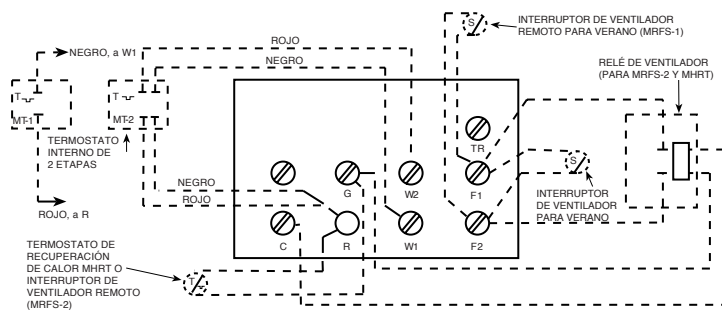


Figura 5. Bornera de control (para calefactores con contactor)

NOTAS:

1. LA BORNERA DE CONTROL DE ESTE TIPO NO SE USA CON LOS MODELOS MUH0321, MUH0371, MUH0381, MUH0521, MUH0571 NI MUH0581.
2. CUANDO USE UN TERMOSTATO DE 2 ETAPAS, quite el puente que une W1 y W2.
3. *SÓLO UNO DE ESTOS ACCESORIOS PUEDE INSTALARSE EN UN CALEFACTOR ÚNICO.
4. LOS TERMOSTATOS PARA TENSIÓN DE LÍNEA EXTERNA DEBEN CONSIDERARSE COMO DE UNA ETAPA ÚNICAMENTE.

Cómo efectuar la reposición del control de seguridad contra sobretensión (opción instalada en fábrica únicamente):

El interruptor límite está ubicado internamente, en la parte posterior del calefactor. En los modelos de 3 kW y de 5 kW, el acceso al botón de reposición es por el lado derecho (al mirar a la parte trasera del calefactor); en todos los demás modelos está cerca de la parte superior trasera del calefactor.

El límite de reposición manual está en serie con el protector (límite) de reciclado automático. El límite de reposición manual no se repondrá hasta que el calefactor se haya enfriado y se oprima el botón.

ADVERTENCIA

NO ALTERE NI PUENTE NINGÚN LÍMITE DE SEGURIDAD INTERNO DEL CALEFACTOR.

PRECAUCION

ATENCIÓN: SI EL CONTROL DE SEGURIDAD SE ACTIVA REPETIDAMENTE DESPUÉS DE LA REPOSICIÓN, NO VUELVA A INTENTAR USAR EL CALEFACTOR. SI LO HACE, EL CALEFACTOR PUEDE SUFRIR DAÑOS PERMANENTES, O PROVOCAR UN INCENDIO O RIESGO PARA LA SEGURIDAD.

Es importante mantener limpio este calefactor. Su calefactor le brindará muchos años de servicio y confort con sólo un mínimo de cuidado. Para asegurar un funcionamiento eficiente, observe las instrucciones simples que se indican a continuación.

ADVERTENCIA

TODO SERVICIO, MÁS ALLÁ DE UNA SIMPLE LIMPIEZA, QUE REQUIERA UN DESMONTAJE DEBE SER REALIZADO POR PERSONAL DE SERVICIO CALIFICADO.

ADVERTENCIA

PARA REDUCIR EL RIESGO DE INCENDIO Y DE CHOQUE ELÉCTRICO O LESIONES, DESCONECTE TODA LA ALIMENTACIÓN ELÉCTRICA QUE LLEGA AL CALEFACTOR EN EL TABLERO PRINCIPAL DE SERVICIO Y VERIFIQUE QUE EL ELEMENTO CALEFACTOR ESTÉ FRÍO ANTES DE PRESTAR SERVICIO O DE REALIZAR EL MANTENIMIENTO.

Instrucciones de limpieza para el usuario:

1. Después de que el calefactor se haya enfriado, puede utilizarse una aspiradora con accesorio de cepillo para eliminar el polvo y la pelusa de las superficies exteriores del calefactor, incluidas las aberturas de la rejilla.
2. Con un paño húmedo, elimine el polvo y la pelusa de la rejilla y las superficies exteriores.
3. Vuelva a conectar la alimentación eléctrica al calefactor y asegúrese de que funcione correctamente.

Instrucciones de limpieza de mantenimiento:

(a realizarse únicamente por personal de servicio calificado)

Al menos una vez por año, un técnico de servicio calificado debe limpiar y prestar servicio al calefactor para asegurar un funcionamiento seguro y eficiente. Esto debe incluir, según sea necesario, la aspiración del polvo y los desperdicios de los elementos calefactores y del ventilador, y la revisión de las conexiones de los terminales de tornillo para verificar que cumplan con el valor de par de apriete recomendado de 3.9 N·m (35 lb·pulg.). Después de terminada la limpieza y servicio, el calefactor debe volver a montarse completamente y verificarse que funcione correctamente.

INSTRUCCIONES DE MANTENIMIENTO

Es importante mantener limpio este calefactor. Su calefactor le brindará muchos años de servicio y confort con sólo un mínimo de cuidado. Para asegurar un funcionamiento eficiente, observe las instrucciones simples que se indican a continuación.

ADVERTENCIA

TODO SERVICIO, MÁS ALLÁ DE UNA SIMPLE LIMPIEZA, QUE REQUIERA UN DESMONTAJE DEBE SER REALIZADO POR PERSONAL DE SERVICIO CALIFICADO.

ADVERTENCIA

PARA REDUCIR EL RIESGO DE INCENDIO Y DE CHOQUE ELÉCTRICO O LESIONES, DESCONECTE TODA LA ALIMENTACIÓN ELÉCTRICA QUE LLEGA AL CALEFACTOR EN EL TABLERO PRINCIPAL DE SERVICIO Y VERIFIQUE QUE EL ELEMENTO CALEFACTOR ESTÉ FRÍO ANTES DE PRESTAR SERVICIO O DE REALIZAR EL MANTENIMIENTO.

Instrucciones de limpieza para el usuario:

1. Después de que el calefactor se haya enfriado, puede utilizarse una aspiradora con accesorio de cepillo para eliminar el polvo y la pelusa de las superficies exteriores del calefactor, incluidas las aberturas de la rejilla.
2. Con un paño húmedo, elimine el polvo y la pelusa de la rejilla y las superficies exteriores.
3. Vuelva a conectar la alimentación eléctrica al calefactor y asegúrese de que funcione correctamente.

Instrucciones de limpieza de mantenimiento:

(a realizarse únicamente por personal de servicio calificado)

Al menos una vez por año, un técnico de servicio calificado debe limpiar y prestar servicio al calefactor para asegurar un funcionamiento seguro y eficiente. Esto debe incluir, según sea necesario, la aspiración del polvo y los desperdicios de los elementos calefactores y del ventilador, y la revisión de las conexiones de los terminales de tornillo para verificar que cumplan con el valor de par de apriete recomendado de 3.9 N·m (35 lb·pulg.). Después de terminada la limpieza y servicio, el calefactor debe volver a montarse completamente y verificarse que funcione correctamente.

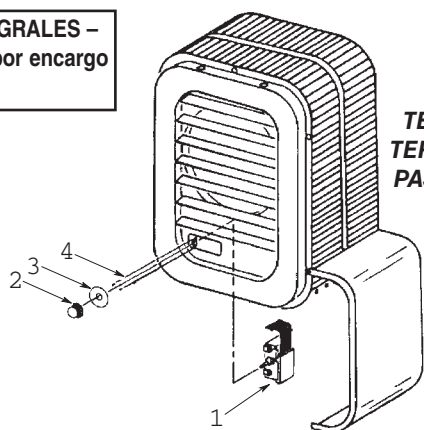
Controles integrales MUH

Nº clave	Descripción	Nº de pieza
1	Termostato unipolar (MT-1)	5813-0036-000
	Termostato, dos etapas (MT-2)	5813-0035-000
2	Perilla termostato	3301-0060-000
3	Etiqueta termostato	3502-1781-000
4	Tornillos cab. plana, 6-32 x 1/4	5202-7009-021
5	Clip termostato	1403-0041-000
6	Interruptor 25 A, OBM	5216-0132-000
	Interruptor 25 A, K&N	5216-0204-000
	Interruptor 63 A OBM	5216-0131-000
	Interruptor 63 A, K&N	5216-0203-000
	Interruptor 25 A Electro	5216-0200-000
7	Tornillo M4 x 10, cab. red. (25 A)	—
	Tornillo 63 A M5 x 16, cab. red.	—
8	Perilla 25 A OBM "T1"	OEM "T1"
	Perilla 25 A, K&N	K & N S1B 6001
	Perilla 63 A OBM	OEM "S4"
	Perilla 63 A, K&N	K & N S2B G001
	Perilla Electro	EI 141747
9	Interruptor basculante 600 V	5216-0130-000
10	Relé ventilador, bobina 24 V	5018-0008-000
11	Conj. interruptor	5216-0199-000
12	Límite reposición manual	4520-0012-000

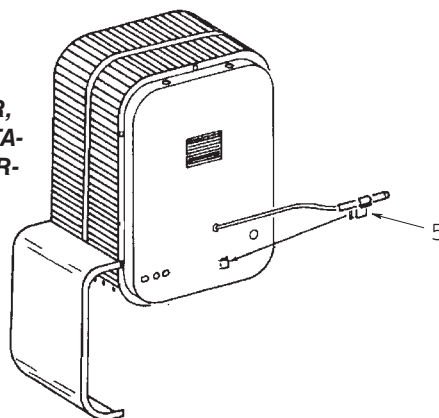
Piezas de repuesto del calentador

Nº clave	Descripción	Nº de pieza
1	Resorte elemento (utilizado en MUH03 hasta MUH-20 solamente)	5208-0073-000
	Resorte elemento (utilizado en MUH25 hasta MUH-50 solamente)	5208-0073-001
2	Resorte tubo capilar	5208-0072-000
3	Resorte retenedor elemento	5208-0074-000
4	Interruptor (utilizado en MUH25 hasta MUH-50 solamente)	5216-7076-001
5	Aislador (utilizado en MUH25 hasta MUH-50 solamente)	2900-0031-000
6	Extensión del soporte (utilizado en MUH-15, MUH-20, MUH-40 y MUH-50 solamente)	1215-0282-000
7	Soporte de interruptor	1215-0256-000
8	Retardo del ventilador	4520-0010-000
14	Tuerca velocidad	4100-7036-026
15	Soporte tornillo imperdible (utilizado MUH-03 hasta MUH-20 solamente)	1215-0291-000
	Soporte tornillo imperdible (utilizado en MUH25 hasta MUH-50 solamente)	1215-0289-000
17	Protector límite lineal (utilizado en MUH03 hasta MUH05 solamente)	4520-0011-000
	Protector límite lineal (utilizado en MUH-07 hasta MUH-20 solamente)	4520-0011-001
	Protector límite lineal (utilizado en MUH-25 hasta MUH-50 solamente)	4520-0011-002
20	Abrazadera (utilizada en MUH25 hasta MUH-50 solamente)	1417-5004-000
	Soporte montaje capacitor (utilizado en MUH-20-8 solamente)	1215-0314-000
22	Orejeta terminal (utilizada en MUH-07 hasta MUH-50 solamente)	3504-7002-001
25	Buje (utilizado en MUH-20 hasta MUH-50 solamente)	25221-60131
26	Arandela pulida (utilizada en MUH03 hasta MUH05 solamente)	6401-0084-000
27	Tornillo pulido (utilizado en MUH03 hasta MUH05 solamente)	5202-0290-002
28	Persiana (utilizada en MUH03 hasta MUH05 solamente)	3503-0036-000
	Persiana (utilizada en MUH-07 hasta MUH-20 solamente)	3503-0036-001
	Persiana (utilizada en MUH-25 hasta MUH-50 solamente)	3503-0036-002
29	Resorte persiana	5208-7005-001
32	Regleta terminales trifásica (utilizada en MUH5-21, MUH-07-02, y MUH-10-2 solamente)	5823-0003-000
	Regleta terminales trifásica (utilizada en MUH5-81, MUH-07-08, y MUH-15-8 solamente)	5823-0003-000
33	Dobladores terminales (utilizado según se requieran)	5819-7012-005

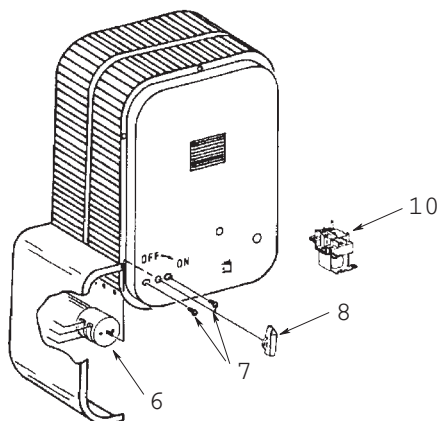
CONTROLES INTEGRALES – Unidades hechas por encargo solamente



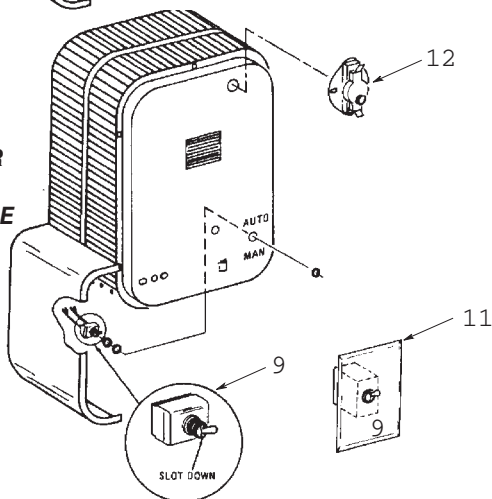
TERMOSTATO UNIPOLAR, TERMOSTATO DE DOS ETAPAS, TERMOSTATO DE TERMORECUPERACIÓN

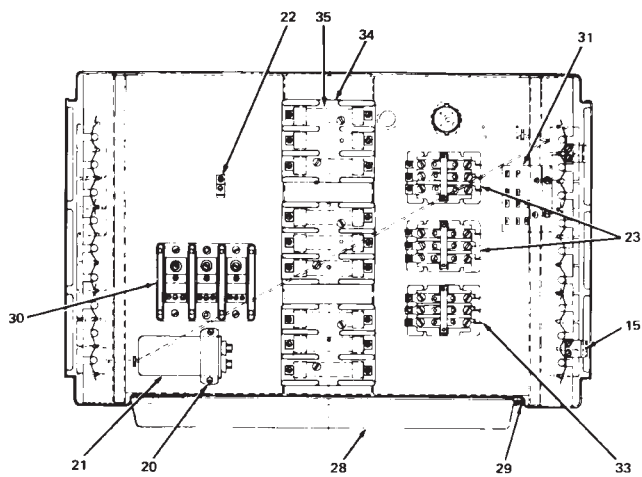


INTERRUPTOR DE POTENCIA

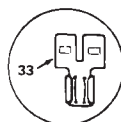


INTERRUPTOR DEL VENTILADOR DE VERANO

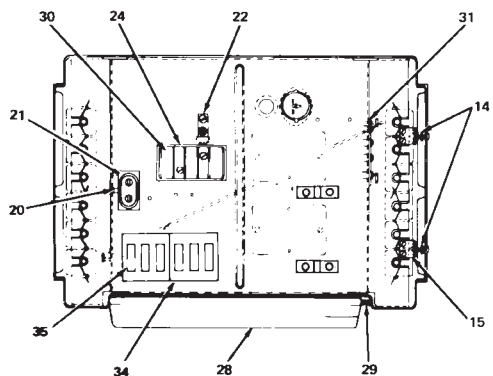
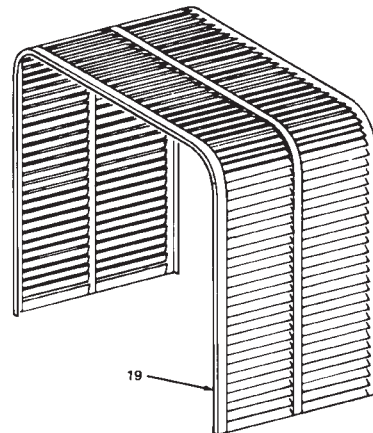




VISTA D-D
(MUH -25 HASTA MUH 50 SOLAMENTE)



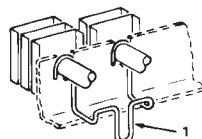
DOBLADOR TERMINAL
UTILIZAR SEGÚN SE REQUIERA



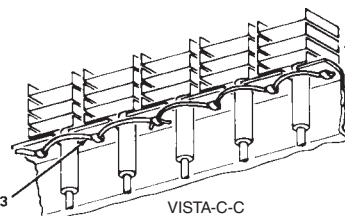
VISTA D-D
(MUH-07 HASTA MUH-20 SOLAMENTE)



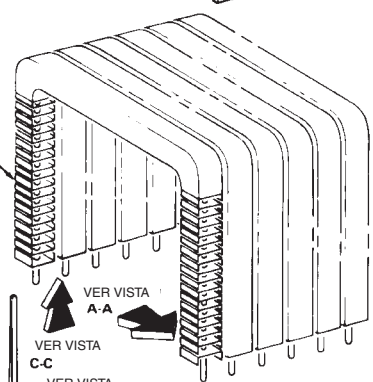
VISTA A-A



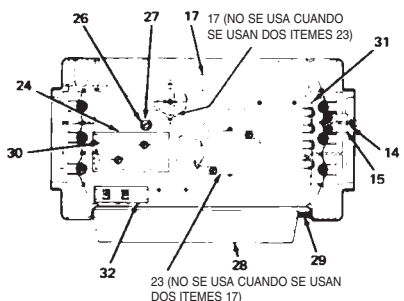
VISTA B-B



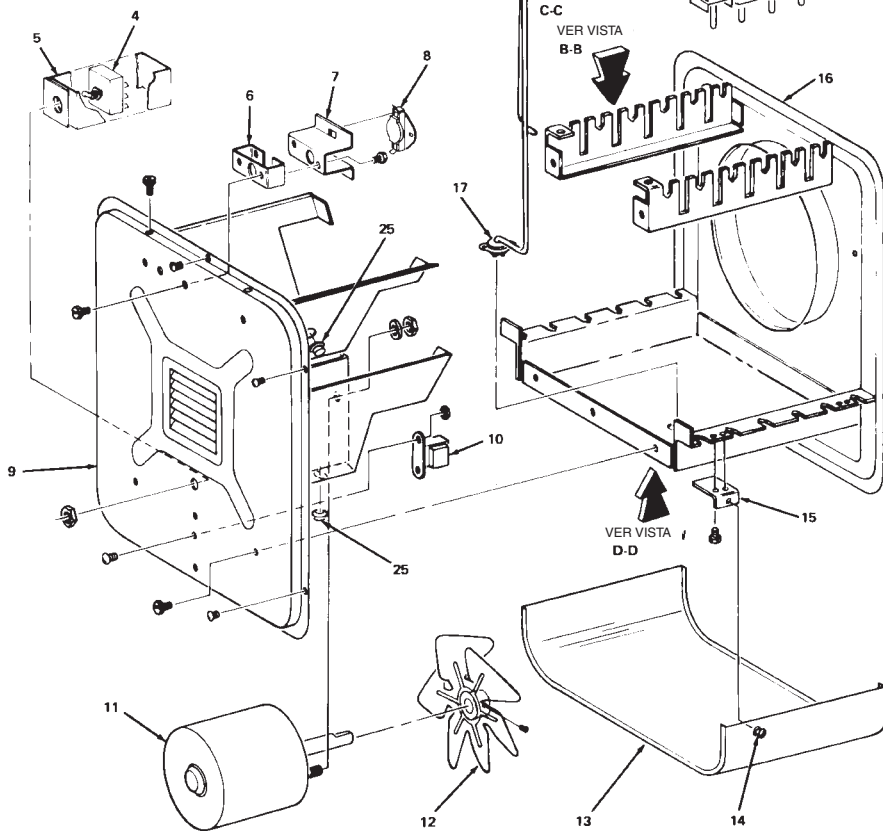
VISTA C-C



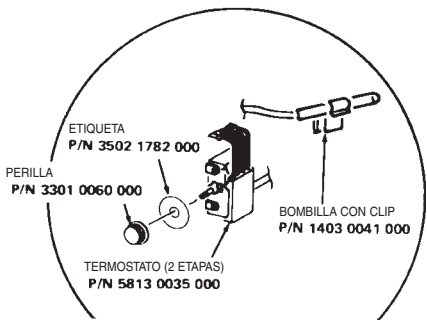
VER VISTA
A-A
VER VISTA
C-C
VER VISTA
B-B



VISTA D-D
(MUH-03 HASTA MUH-05 SOLAMENTE)



VER VISTA
D-D



ESTAS PIEZAS SE USAN EN
EL MODELO MUH05-21T SOLAMENTE

Nº de modelo	⑨ Caja trasera	⑩ Transformador**	⑪ Motor	⑫ Paleta del ventilador	⑬ Cubierta	⑯ Caja delantera	⑱ Conj. elemento	⑲ Protector elemento	⑳ Capacitor
MUH03-21	1425-2004-000	-	3900-2002-006	1210-2000-000	1402-0336-001	1425-0009-005	1802-0087-000	2504-0011-000	-
MUH03-41	1425-2004-000	5814-0003-002	3900-2005-000	1210-2000-000	1402-0336-001	1425-0009-005	1802-0087-002	2504-0011-000	-
MUH03-71	1425-2004-000	-	3900-2002-007	1210-2000-000	1402-0336-001	1425-0009-005	1802-0087-001	2504-0011-000	-
MUH03-81	1425-2004-000	-	3900-2002-006	1210-2000-000	1402-0336-001	1425-0009-005	1802-0087-024	2504-0011-000	-
MUH05-21MG	1425-2004-000	-	3900-2002-006	1210-2000-000	1402-0336-001	1425-0009-005	1802-0087-003	2504-0011-000	-
MUH05-41	1425-2004-000	5814-0003-002	3900-2005-000	1210-2000-000	1402-0336-001	1425-0009-005	1802-0087-005	2504-0011-000	-
MUH05-71	1425-2004-000	-	3900-2002-007	1210-2000-000	1402-0336-001	1425-0009-005	1802-0087-004	2504-0011-000	-
MUH05-81MG	1425-2004-000	-	3900-2002-006	1210-2000-000	1402-0336-001	1425-0009-005	1802-0087-025	2504-0011-000	-
MUH-07-2	1425-0010-004	5814-0003-000	3900-2014-002	1210-0090-000	1402-0339-002	1425-0009-006	1802-0087-006	2504-0013-001	-
MUH-07-4	1425-0010-004	5814-0003-002	3900-0347-005	1210-0090-000	1402-0339-002	1425-0009-006	1802-0087-008	2504-0013-001	-
MUH-07-7	1425-0010-004	5814-0003-001	3900-2014-003	1210-0090-000	1402-0339-002	1425-0009-006	1802-0087-007	2504-0013-001	-
MUH-07-8	1425-0010-004	5814-0003-000	3900-2014-001	1210-0090-000	1402-0339-002	1425-0009-006	1802-0087-031	2504-0013-001	-
MUH-10-2	1425-0010-004	5814-0003-000	3900-2014-002	1210-0090-000	1402-0339-002	1425-0009-006	1802-0087-031	2504-0013-001	-
MUH-10-4	1425-0010-004	5814-0003-002	3900-0347-005	1210-0090-000	1402-0339-002	1425-0009-006	1802-0087-011	2504-0013-001	-
MUH-10-7	1425-0010-004	5814-0003-001	3900-2014-003	1210-0090-000	1402-0339-002	1425-0009-006	1802-0087-010	2504-0013-001	-
MUH-10-8	1425-0010-004	5814-0003-000	3900-2014-001	1210-0090-000	1402-0339-002	1425-0009-006	1802-0087-036	2504-0013-001	-
MUH-15-2	1425-0014-000	5814-0003-000	3900-0361-000	1210-0090-001	1402-0339-003	1425-0009-007	1802-0087-012	2504-0012-001	-
MUH-15-4	1425-0014-000	5814-0003-002	3900-0361-001	1210-0090-001	1402-0339-003	1425-0009-007	1802-0087-013	2504-0012-001	-
MUH-15-8	1425-0014-000	5814-0003-000	3900-0361-002	1210-0090-001	1402-0339-003	1425-0009-009	1802-0087-031	2504-0012-001	-
MUH-20-2	1425-0013-000	5814-0003-000	3900-0362-000	1210-0096-000	1402-0339-003	1425-0009-007	1802-0087-014	2504-0012-001	1432-0002-003
MUH-20-4	1425-0013-000	5814-0003-002	3900-0362-001	1210-0096-000	1402-0339-003	1425-0009-007	1802-0087-015	2504-0012-001	1432-0002-003
MUH-20-8	1425-0013-000	5814-0003-000	3900-0362-002	1210-0096-000	1402-0339-003	1425-0009-011	1802-0087-026	2504-0012-001	1432-0002-003
MUH-25-2	1425-0011-003	5814-0003-000	3900-0364-000	1210-0098-000	1402-0340-002	1425-0012-003	1802-0087-016	2504-0014-001	1432-0002-001
MUH-25-4	1425-0011-003	5814-0003-002	3900-0363-001	1210-0098-000	1402-0340-002	1425-0012-003	1802-0087-017	2504-0014-001	1432-0002-003
MUH-30-2	1425-0011-003	5814-0003-000	3900-0364-000	1210-0098-000	1402-0340-002	1425-0012-003	1802-0087-018	2504-0014-001	1432-0002-001
MUH-30-4	1425-0011-003	5814-0003-002	3900-0363-000	1210-0098-000	1402-0340-002	1425-0012-003	1802-0087-019	2504-0014-001	1432-0002-003
MUH-30-8	1425-0011-003	5814-0003-000	3900-0364-000	1210-0098-000	1402-0340-002	1425-0009-009	1802-0087-028	2504-0014-001	1432-0002-001
MUH-40-2	1425-0011-001	5814-0003-000	3900-0350-000	1210-0097-000	1402-0340-003	1425-0012-002	1802-0087-020	2504-0015-001	1432-0002-004
MUH-40-4	1425-0011-001	5814-0003-002	3900-0350-001	1210-0097-000	1402-0340-003	1425-0012-002	1802-0087-021	2504-0015-001	1432-0002-004
MUH-50-2	1425-0011-001	5814-0003-000	3900-0350-000	1210-0097-000	1402-0340-003	1425-0012-002	1802-0087-022	2504-0015-001	1432-0002-004
MUH-50-4	1425-0011-001	5814-0003-002	3900-0350-001	1210-0097-000	1402-0340-003	1425-0012-002	1802-0087-023	2504-0015-001	1432-0002-004
MUH-50-8	1425-0011-001	5814-0003-000	3900-0350-002	1210-0097-000	1402-0340-003	1425-0012-002	1802-0087-030	2504-0015-001	1432-0002-004

Nº de modelo	⑳ Relé ***	㉑ Aislador	㉓ Regleta de terminales, alimentación	㉔ Regleta de terminales, control	㉕ Bloque de fusibles	㉖ Fusible
MUH03-21	-	-	5823-0004-000	5823-0001-000	-	-
MUH03-41	5018-0004-100	2900-0030-000	5823-0004-000	5823-0002-000	-	-
MUH03-71	-	2900-0030-000	5823-0004-000	5823-0001-000	-	-
MUH03-81	-	-	5823-0004-000	5823-0001-000	-	-
MUH05-21MG	5018-0003-002	-	5823-0004-000	5823-0002-000	-	-
MUH05-41	5018-0004-100	2900-0030-000	5823-0004-000	5823-0002-000	-	-
MUH05-71	-	2900-0030-000	5823-0004-000	5823-0001-000	-	-
MUH05-81MG	5018-0003-002	-	5823-0004-000	5823-0002-000	-	-
MUH-07-2	5018-0003-000	-	5823-0004-000	5823-0002-000	-	-
MUH-07-4	5018-0004-100	2900-0030-000	5823-0004-000	5823-0002-000	-	-
MUH-07-7	5018-0004-100	2900-0030-000	5823-0004-000	5823-0002-000	-	-
MUH-07-8	5018-0003-000	-	5823-0004-000	5823-0002-000	-	-
MUH-10-2	5018-0003-000	-	5823-0004-000	5823-0002-000	-	-
MUH-10-4	5018-0004-100	2900-0030-000	5823-0004-000	5823-0002-000	-	-
MUH-10-7	5018-0003-000	2900-0030-000	5823-0004-000	5823-0002-000	-	-
MUH-10-8	5018-0004-100	-	5823-0004-000	5823-0002-000	-	-
MUH-15-2	5018-0005-004	-	5823-0004-001	5823-0002-000	-	-
MUH-15-4	5018-0004-100	2900-0030-000	5823-0004-000	5823-0002-000	-	-
MUH-15-8	5018-0005-008	-	5823-0004-003	5823-0002-000	2025-0002-000	2019-0007-010
MUH-20-2	5018-0006-000	-	5823-0004-002	5823-0002-000	-	-
MUH-20-4	5018-0004-100	2900-0030-000	5823-0004-000	5823-0002-000	-	-
MUH-20-8	5018-0005-000	-	5823-0004-002	5823-0002-000	2025-0002-000	2019-0007-008
MUH-25-2	5018-0005-004	-	5823-0004-002	5823-0002-000	2025-7002-000	2019-7008-077
MUH-25-4	5018-0005-004	2900-0030-000	5823-0004-001	5823-0002-000	-	-
MUH-30-2	5018-0005-004	-	5823-0004-003	5823-0002-000	2025-7002-000	2019-7008-079
MUH-30-4	5018-0005-004	2900-0030-000	5823-0004-001	5823-0002-000	-	-
MUH-30-8	5018-0006-000	-	5823-0005-000	5823-0002-000	2025-7002-000	2019-7008-080
MUH-40-2	5018-0005-004	-	5823-0005-000	5823-0002-000	2025-7002-000	2019-7008-079
MUH-40-4	*	2900-0030-000	5823-0004-002	5823-0002-000	2025-7002-000	2019-7008-079
MUH-50-2	5018-0005-004	-	5823-0005-000	5823-0002-000	2025-7002-000	2019-7008-080
MUH-50-4	*	2900-0030-000	5823-0004-002	5823-0002-000	-	-
MUH-50-8	5018-0006-000	-	5823-0005-000	5823-0002-000	2025-7002-000	2019-7008-078

* Se utilizan dos relés: relé de 35A N/P 5018-0004-000 y relé de 40 A N/P 5018-0006-000.

** Se muestra secundario de 24V. Para secundario de 120V, aumentar el último dígito 3 veces (por ej., para secundario de 24V MUH03-41 utilizar 5814-0003-002; para secundario de 120V utilizar 5814-0003-005.)

***Se muestra H.C de 24V. Para H.C. de 120 aumentar el último dígito 1 vez. (por ej.; para MUH03-41, 24V H.C. de 24 V utilizar 5018-0004-000; para H.C. de 120V utilizar 5018-0004-001.)

GARANTÍA LIMITADA

Todos los productos fabricados por Marley Engineered Products están garantizados contra defectos de fabricación y de materiales por un año desde la fecha de instalación, a excepción de los elementos calefactores, que están garantizados contra defectos de fabricación y de materiales por cinco años desde la fecha de instalación. Esta garantía no se aplica a daños debidos a accidente, mal uso o alteración, ni a los casos en que la tensión eléctrica conectada supere a la tensión nominal -indicada en la placa de características- en más de 5 %, ni a equipos que hayan sido instalados o cableados incorrectamente, o mantenidos en forma que no cumpla lo indicado en las instrucciones de instalación del producto. Todo reclamo por trabajos en garantía debe acompañarse con una prueba de la fecha de instalación.

El cliente será responsable de todos los costos incurridos en el retiro o reinstalación de productos, incluyendo los costos de mano de obra y los costos de envío incurridos para regresar productos a un Centro de Servicio de Marley Engineered Products. Dentro de las limitaciones de esta garantía, las unidades que no funcionan deben regresarse al centro de servicio autorizado Marley más cercano, o al Centro de Servicio de Marley Engineered Products, y nosotros lo repararemos o reemplazaremos, a nuestra opción, sin cargo para usted, con el flete de retorno pagado por Marley. Se acuerda que tal reparación o reemplazo es el único recurso que Marley Engineered Products pone a su disposición.

LAS GARANTÍAS EXPUESTAS MÁS ARRIBA TOMAN EL LUGAR DE TODA OTRA GARANTÍA, EXPRESA O IMPLÍCITA, Y POR LA PRESENTE SE DECLINA Y EXCLUYE DE ESTE ACUERDO TODA GARANTÍA IMPLÍCITA DE COMERCIABILIDAD Y ADECUACIÓN A UN PROPÓSITO PARTICULAR QUE EXCEDA LAS GARANTÍAS EXPRESAS ANTEDICHAS. MARLEY ENGINEERED PRODUCTS NO SE HARÁ RESPONSABLE POR DAÑOS CONSIGUIENTES QUE SE PRODUZCAN CON RESPECTO AL PRODUCTO, EN BASE YA SEA A NEGLIGENCIA, AGRAVIO, RESPONSABILIDAD ESTRUCTIVA, O CONTRATO.

Algunos estados o jurisdicciones no permiten la exclusión o limitación de daños incidentales o consiguientes, de modo que la exclusión o limitación expresada más arriba puede no aplicarse a su caso. Esta garantía le da derechos legales específicos, y usted puede tener también otros derechos, que varían de un estado o jurisdicción a otro.

Para obtener la dirección de su centro de servicio autorizado más cercano comuníquese con Marley Engineered Products en Bennettsville, SC, Estados Unidos, llamando al 1-800-642-4328. Toda mercadería regresada a la fábrica debe ser acompañada por una autorización de retorno y una etiqueta de identificación de servicio, disponibles ambas en Marley Engineered Products. Cuando solicite la autorización de retorno, incluya todos los números de catálogo mostrados en los productos.

CÓMO OBTENER SERVICIO EN GARANTÍA, PIEZAS DE REPUESTO E INFORMACIÓN GENERAL

- | | |
|--|---|
| 1. Servicio o repuestos en garantía | 1-800-642-4328 |
| 2. Compra de repuestos | 1-800-654-3545 |
| 3. Información general sobre productos | www.marlymep.com |

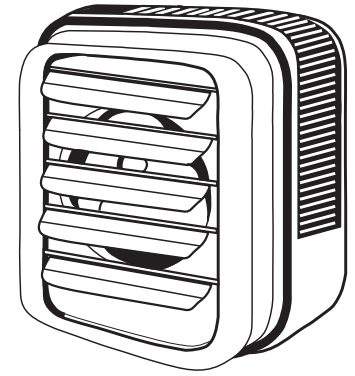
Nota: cuando solicite servicio, siempre dé la información que sigue:

1. Número de modelo del producto
2. Fecha de fabricación
3. Número de parte o descripción



Marley[®]
Engineered Products

470 Beauty Spot Rd. East
Bennettsville, SC 29512 USA



Séries MUHA

Radiateurs modulaires



Instructions d'installation, d'utilisation et d'entretien

Spécifications

N° de modèle de base	Hauteur pouces (mm)	Largeur pouces (mm)	Profondeur pouces (mm)	Poids de montage Lbs. (Kg)	Volume du compartiment de câblage				
MUH0381	16 (406.4)	14 (355.6)	7 1/2 (190.5)	27 (12.2)	90 po ³ (14.70 cm ³)				
MUH0321				27 (12.2)					
MUH0371				27 (12.2)					
MUH0341				30 (13.6)					
MUH0581				27 (12.2)					
MUH0521				27 (12.2)					
MUH0571				27 (12.2)					
MUH0541				30 (13.6)					
MUH0331				30 (13.6)					
MUH0361				30 (13.6)					
MUH0531				30 (13.6)					
MUH0561				30 (13.6)					
MUH078				21 3/4 (552.5)		19 (482.6)	7 1/2 (190.5)	38 (17.2)	100 po ³ (1639 cm ³)
MUH072								38 (17.2)	
MUH077								38 (17.2)	
MUH074	38 (17.2)								
MUH108	38 (17.2)								
MUH102	38 (17.2)								
MUH107	38 (17.2)								
MUH104	38 (17.2)								
MUH073	38 (17.2)								
MUH076	38 (17.2)								
MUH103	38 (17.2)								
MUH106	38 (17.2)								

N° de modèle de base	Hauteur pouces (mm)	Largeur pouces (mm)	Profondeur pouces (mm)	Poids de montage Lbs. (Kg)	Volume du compartiment de câblage				
MUH158	21 3/4 (552.5)	19 (482.6)	12 3/4 (323.9)	54 (24.5)	140 po ³ (2295 cm ³)				
MUH152				50 (22.7)					
MUH154				50 (22.7)					
MUH208				60 (27.2)					
MUH202				55 (24.9)					
MUH204				55 (24.9)					
MUH156				55 (24.9)					
MUH206				55 (24.9)					
MUH252				30 (76.2)		26 5/8 (676.4)	11 3/4 (298.5)	89 (40.4)	504 po ³ (8260 cm ³)
MUH254								89 (40.4)	
MUH308	89 (40.4)								
MUH302	89 (40.4)								
MUH304	89 (40.4)								
MUH256	89 (40.4)								
MUH306	89 (40.4)								
MUH402	30 (76.2)	26 5/8 (676.4)	17 1/4 (435.1)	119 (54.0)	648 po ³ (10620 cm ³)				
MUH404				119 (54.0)					
MUH508				119 (54.0)					
MUH502				119 (54.0)					
MUH504				119 (54.0)					
MUH406				119 (54.0)					
MUH506				119 (54.0)					

INSTRUCTIONS IMPORTANTES



AVERTISSEMENT



LORS DE L'UTILISATION D'APPAREILS ÉLECTRIQUES, DES PRÉCAUTIONS DE BASE DOIVENT TOUJOURS ÊTRE SUIVIES AFIN DE RÉDUIRE LE RISQUE DE DÉPART D'INCENDIE, DE COMMOTION ÉLECTRIQUE ET DE BLESSURES AUX PERSONNES, INCLUANT CELLES QUI SUIVENT :

1. Lisez toutes les instructions avant d'installer ou d'utiliser le radiateur.
2. Ce radiateur est un produit commercial/industriel, non prévu pour une utilisation en résidentiel.
3. Ce radiateur est chaud quand il est en fonctionnement. Pour éviter des brûlures, ne laissez pas de peau nue toucher ses surfaces chaudes. Maintenez les matières combustibles comme le mobilier, les oreillers, la literie, les papiers, les vêtements et les couvertures, à au moins 3 pieds (90 cm) de distance de l'avant du radiateur.
4. Il faut faire très attention quand un radiateur quelconque est utilisé par des enfants ou des personnes invalides ou près d'eux, et à chaque fois que le radiateur est laissé en marche sans surveillance.
5. Ce radiateur comporte des pièces intérieures brûlantes qui génèrent des arcs ou des étincelles électriques, il ne doit pas être utilisé dans des atmosphères dangereuses, où sont entreposés ou utilisés des vapeurs ou liquides inflammables, ou d'autres combustibles tels que définis par NEC (norme électrique américaine). La non-observation de cette consigne peut entraîner explosion ou départ d'incendie.
6. N'utilisez plus un radiateur s'il a présenté des dysfonctionnements.

Débranchez son alimentation au panneau de distribution du secteur et faites-le inspecter par un bon électricien avant de le réutiliser.

7. Ne l'utilisez pas à l'extérieur.
8. Pour déconnecter le radiateur, passez sa commande sur arrêt (Off) et coupez le secteur en amont au panneau de distribution.
9. N'insérez pas d'objets étrangers, et ne permettez pas qu'il en entre, dans toute ouverture d'admission ou d'évacuation, car cela peut causer une commotion électrique ou un départ d'incendie, ou endommager le radiateur.
10. Pour éviter un possible départ d'incendie, n'obstruez en aucune façon les admissions et les échappements d'air.
11. N'utilisez ce radiateur que comme c'est décrit dans ce manuel. Tout autre type d'utilisation qui n'est pas recommandé par le constructeur peut provoquer un départ d'incendie.
12. Ce radiateur n'est pas prévu pour une utilisation dans des environnements spéciaux. Ne l'utilisez pas dans des lieux humides ou mouillés, tels que dans un contexte marin ou une serre, ou dans des endroits où il y a présence d'agents corrosifs ou chimiques.
13. Lors de l'installation, voyez les INSTRUCTIONS D'INSTALLATION pour des mises en gardes et précautions supplémentaires.
14. Pour un fonctionnement sûr et efficace, et pour prolonger sa durée de service, gardez votre radiateur propre – Voyez les INSTRUCTIONS D'ENTRETIEN.

CONSERVEZ CES INSTRUCTIONS

INSTRUCTIONS D'INSTALLATION



AVERTISSEMENT



Pour éviter un possible départ d'incendie, des blessures corporelles ou des dommages au radiateur, respectez ces consignes :

1. Débranchez toute alimentation secteur arrivant au panneau de service principal avant de câbler ou d'intervenir pour du service.

Remarque importante : Ce radiateur doit être installé par une personne qualifiée.

2. Toutes les procédures de câblage et les raccordements doivent être en conformité avec les normes nationales et locales applicables, et le radiateur doit être relié à la terre.
3. Vérifiez que la tension du secteur arrivant au radiateur correspond bien aux valeurs spécifiées sur sa plaque signalétique.

ATTENTION: ALIMENTER LE RADIATEUR AVEC UNE TENSION DÉPASSANT LA VALEUR IMPRIMÉE SUR LA PLAQUE SIGNALÉTIQUE ENDOMMAGERA LE RADIATEUR ET ANNULERA SA GARANTIE, ET CELA PEUT PROVOQUER UN DÉPART D'INCENDIE.

4. Pour réduire le risque de départ d'incendie, n'entreposez pas et n'utilisez pas d'essence ou d'autres produits inflammables sous

forme de liquide ou de vapeurs à proximité du radiateur.

5. La structure de montage au plafond ou au mur et les dispositions d'ancrage doivent avoir une résistance suffisante pour supporter le poids du radiateur et de son support de montage.
6. Tous les thermostats sont intégrés : Si le radiateur est utilisé pour éviter le gel de tuyauteries ou de liquides, et que le thermostat est réglé en dessous de 45°F (7 °C) le ventilateur doit tourner continuellement.
7. Le radiateur peut être monté à au moins 7' (213,4 cm) au-dessus du sol, pour éviter un contact accidentel avec la pale de ventilateur qui pourrait causer une blessure.
8. Gardez au moins 5' (152 cm) d'espacement sur l'avant du radiateur. Référez-vous au Tableau 1 pour les besoins en espacement sur les côtés, en haut et en bas.
9. Ne montez pas de thermostat de type au mercure directement sur le radiateur. La vibration pourrait causer un dysfonctionnement du radiateur.

Instructions de localisation du radiateur

Disposez les radiateurs de façon à ce que leur flux d'air envoyé :

- a. soit soumis à un minimum d'interférence venant de colonnes, machines ou cloisons
- b. passe sur les murs exposés sans souffler directement dessus
- c. ne soit pas dirigé vers des occupants de la pièce en chauffage de confort
- d. soit dirigé le long du côté face au vent quand l'installation est dans un bâtiment soumis à un vent dominant

Placez les thermostats à environ 5' (152,4 cm) au-dessus du sol sur des cloisons de séparation intérieures ou des poteaux, à l'écart des courants d'air froids, des sources de chaleur intérieures et à distance des évacuations d'air des radiateurs.

Des petites pièces peuvent être réchauffées avec un seul radiateur. Des pièces plus grandes nécessitent l'installation de plusieurs radiateurs. Le nombre et la capacité des radiateurs sont à déterminer en fonction du volume de bâtiment et de la surface en mètres carrés des zones à réchauffer. Disposez les radiateurs pour fournir une ventilation du périmètre, chaque radiateur renforçant le flux d'air du précédent.

Montage de radiateurs, généralités

Le radiateur peut être installé pour envoyer de l'air chaud soit horizontalement soit verticalement. Quand il est monté pour envoi verticalement, il est recommandé de le positionner de façon à ce que la porte d'accès s'ouvre en s'écartant du mur afin de donner plus de place pour entrer dans le compartiment de câblage et de contrôles. Si le radiateur doit être monté avec sa porte d'accès en face d'un mur, il faut le monter suffisamment loin de ce mur pour permettre une ouverture complète de la porte d'accès (à une distance approximativement égale à la largeur du radiateur, vérifiez l'écartement avant l'installation). Référez-vous au Tableau 1 pour les écartements par rapport aux murs ou plafond avant de monter le radiateur.

Le radiateur peut être monté pour distribution verticale ou horizontale en utilisant des tiges filetées (Référez-vous au Tableau 2 pour les tailles de tiges filetées nécessaires). Suivez les procédures détaillées dans les instructions d'installation ci-dessous.

Le radiateur peut aussi être suspendu depuis le mur ou le plafond au moyen d'un support de montage optionnel (type MMB or MCMB) qui permet un pivotement horizontal du radiateur.

Une fois le radiateur installé, les volets peuvent être positionnés pour diriger l'air chauffé dans la direction voulue. Quand le radiateur est installé pour une évacuation horizontale, les volets doivent envoyer l'air soit droit devant soit vers le bas. Le fait de diriger l'air vers le haut ferait rester l'air chaud dans la zone du plafond, et ce serait un gaspillage d'énergie.

Tableau 1. Écartement par rapport aux murs et au plafond en pouces (mm)

Puissance	Distrib.	Plafond	Mur latéral	Mur arrière
3 et 5 kW	Horiz.	2 (50.8)	6 (152.4)	9 (228.6)
	Vert.	6 (152.4)	18 (457.2)	18 (457.2)
7.5 à 10 kW	Horiz.	6 (152.4)	6 (152.4)	13 (330.2)
	Vert.	6 (152.4)	24 (609.6)	24 (609.6)
15 à 10 kW	Horiz.	6 (152.4)	9 (228.6)	12 1/2 (317.5)
	Vert.	6 (152.4)	24 (609.6)	24 (609.6)
25 à 50 kW	Horiz.	16 (406.4)	12 (304.8)	18 1/2 (470.0)
	Vert.	12 (304.8)	39 (914.4)	39 (914.4)

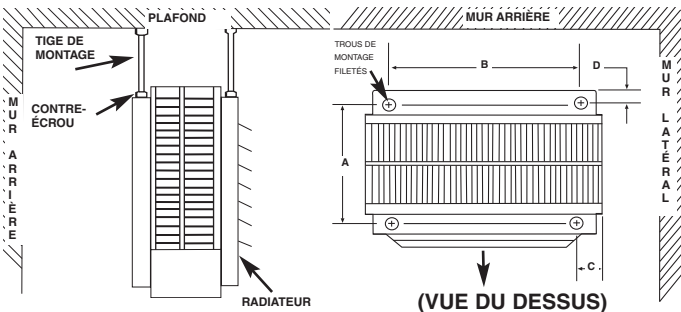


Figure 1. Montage à distribution horizontale et espacement.

Table 2. Type de tige filetée et dimensions d'espacement, en pouces (mm) pour envoi horizontal

Puissance	Type de tige	A	B	C	D
3 - 5 kW	5/16 - 18	6 1/16 (153.9)	6 (152.4)	4 1/16 (103.1)	3/4 (19.0)
7.5 - 10 kW		11 3/8 (289.0)	8 7/8 (225.6)	5 1/8 (130.3)	3/4 (19.0)
15 - 20 kW			10 9/16 (268.2)	14 - 12 (368.3)	6 3/16 (157.2)
25 - 30 kW	3/8 - 16	15 15/16 (404.9)	14 - 12 (368.3)	6 3/16 (157.2)	5/8 (16.0)
40 - 50 kW					

Distribution horizontale (montage sur tige depuis le plafond)

1. Installez quatre tiges de montage filetées dans les trous filetés et fixez en place en utilisant des contre-écrous (Voir le Tableau 2).
2. Fixez bien les quatre tiges de montage au plafond (Référez-vous au Tableau 1 pour les espacements par rapport au mur et au plafond, et au Tableau 2 pour l'écartement des tiges de montage).

Table 3. Type de tige filetée et dimensions d'espacement, en pouces (mm) pour distribution verticale

Puissance	Type de tige	E	F	G	H
3 - 5 kW	5/16 - 18	6 (152.4)	9 3/4 (247.7)	2 (50.8)	4 1/16 (103.1)
7.5 - 20 kW		8 7/8 (225.6)	14 5/8 (371.6)	2 (50.8)	5 1/8 (130.3)
25 - 30 kW	3/8 - 16	14 1/2 (368.3)	21 1/4 (539.8)	2 3/16 (56.0)	6 3/16 (157.2)

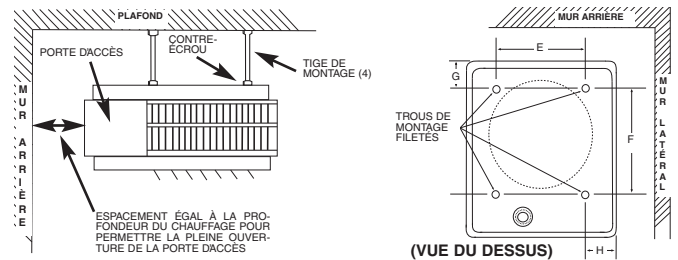


Figure 2. Montage à distribution verticale et espacement.

Distribution verticale (montage sur tige depuis le plafond)

1. Enlevez les boulons des trous filetés à l'arrière du radiateur.
2. Installez quatre tiges de montage filetées dans les trous filetés et fixez en place en utilisant des contre-écrous.
3. Fixez bien les quatre tiges de montage au plafond (Référez-vous au Tableau 1 pour les espacements par rapport au mur et au plafond, et au Tableau 3 pour l'écartement des tiges de montage).

Circuit d'alimentation (secteur)

1. Ne branchez le radiateur que sur un secteur conforme (tension/ampérage/fréquence) à la spécification de la plaque signalétique.
2. Le câblage sur site doit être correctement dimensionné pour supporter l'ampérage conformément à NEC.
3. La porte d'accès est à charnière. Il y a une ou deux vis accessibles depuis le dessous qu'il faut desserrer pour obtenir l'accès. Ce sont des vis de type imperdable, donc n'essayez pas de les enlever.
4. Une pastille à enfoncer est fournie au dos du radiateur près du bornier d'alimentation et près du connecteur de la carte de contrôle. Le passage près de la carte de contrôle peut recevoir un conduit de 1/2" (12,7 mm). Celui près du bornier d'alimentation a plusieurs diamètres possibles. Utilisez le diamètre à enfoncer qui correspond à votre taille de conduit d'arrivée secteur.
5. Une borne de raccordement de terre est fournie près de l'emplacement d'arrivée du secteur. Le fil d'arrivée de terre doit y être connecté avant d'effectuer toute autre connexion.
6. La carte de terminaison d'alimentation est équipée d'une boîte à bornes de taille à accepter le bon calibre de fils d'arrivée du secteur. Du fil prévu pour supporter 600 V et 60°C est adéquat pour le circuit d'alimentation secteur du radiateur. La composition des fils vers le radiateur peut être en aluminium ou en cuivre jusqu'au bornier. Du fil en cuivre est cependant recommandé et doit être utilisé pour le commutateur de coupure intégré.
7. Chaque radiateur possède un schéma de câblage sur l'intérieur de sa porte d'accès. Consultez ce schéma avant de réaliser de quelconques connexions sur le site.

Note importante – Couple des bornes à vis d'installation:

Durant le transport il est possible que les connexions par bornes à vis se soient desserrées. Après l'installation, avant de mettre sous tension l'appareil de chauffage, vérifiez toutes les connexions par borne à vis, leur serrage doit être à un couple d'au moins 35 in-lbs. (3,9 N-m).

8. Des connexions en secteur monophasé ou triphasé peuvent être utilisées avec les radiateurs de modèles MUH0521, MUH0581, MUH072, MUH078, MUH102, MUH108 et MUH158. Ces appareils sont câblés en usine pour un raccordement sur du secteur monophasé. Si ces radiateurs doivent être alimentés en secteur triphasé, reconnectez les fils comme c'est indiqué au schéma de câblage fixé sur le radiateur. Des informations supplémentaires peuvent être trouvées en examinant les illustrations de câblage données aux Figures 3a et 3b et en suivant les instructions données ci-dessous.

Sur les modèles MUH0521, MUH0581, MUH072, MUH078, MUH102 et MUH108 (Figure 3a), ne déplacez que les deux fils marqués "A1" et "B1"; ne déplacez ou ne modifiez aucun autre câblage. Le fil d'alimentation d'éléments chauffants marqué "B1" qui est connecté en usine au bornier d'alimentation (au plus près des éléments) doit être déplacé à la borne "B" sur le bornier du triphasé.

Le fil d'alimentation de relais (contacteur) "A1" doit être déplacé de sa connexion sur le bornier (borne la plus proche du contacteur ou du connecteur de carte de contrôle) vers la borne "A" sur le bloc de terminaison le plus bas (au centre).

Le modèle MUH158 (Figure 3b) possède des bornes pour triphasé située près des relais (contacteurs). Ne déplacez que les deux fils marqués "C1" et "D1" de chacun de ces deux bornier pour triphasé sur la borne "B". Ne déplacez ou ne modifiez aucun autre câblage.

9. Des accessoires électriques, soit en kits ou en options installées en usine, ont leur connexion indiquée en lignes pointillées sur le schéma de câblage du radiateur.

10. Radiateur en 208/240 volts : Les radiateurs sont câblés en usine pour du secteur 240 V. Quand un tel radiateur doit être alimenté en 208 V, les fils du transformateur DOIVENT être permutés. Pour des appareils de puissance 30/40 kW ou plus, permutez les fils de primaire ORANGE et ROUGE. Le fil NOIR est pour le COMMUN du transformateur (50 VA) fourni sur les radiateurs de forte puissance. Pour les radiateurs de puissance moindre, permutez les fils de primaire NOIR et ROUGE. Le fil de BLANC est pour le COMMUN du transformateur fourni avec ces radiateurs. Référez-vous toujours au schéma de câblage sur l'intérieur de porte du radiateur avant d'effectuer ces changements de connexion au primaire du transformateur.

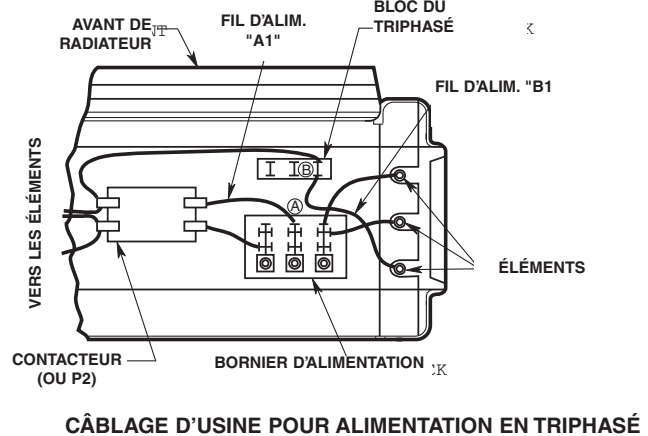
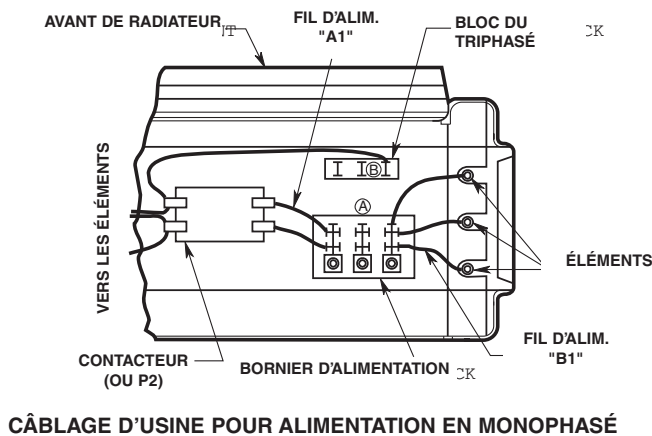


Figure 3a. Raccordements d'alimentation pour du secteur monophasé et triphasé MUH0521, MUH0581, MUH072, MUH078, MUH102 et MUH108)

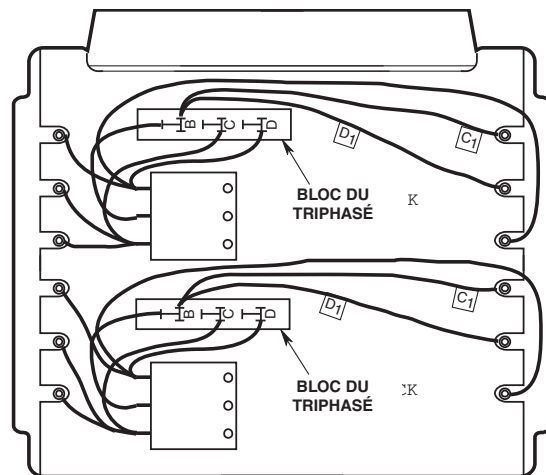
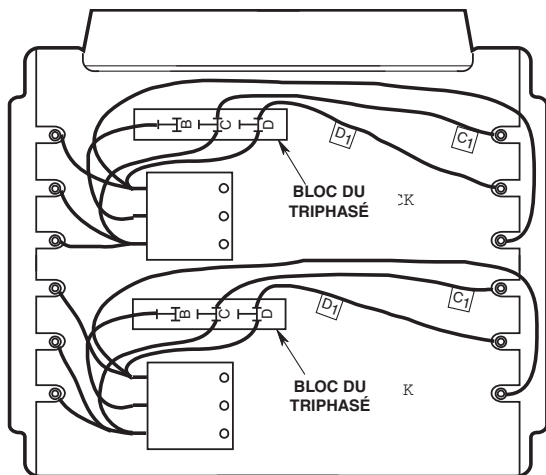


Figure 3b. Raccordements d'alimentation pour du secteur monophasé et triphasé (MUH158)

Câblage de contrôle

⚠ AVERTISSEMENT ⚠

LA TENSION SECTEUR EST PRÉSENTE SUR CERTAINES BORNES DE LA CARTE DE TERMINAISON DES CONTRÔLES. COUPEZ TOUJOURS L'ALIMENTATION SECTEUR EN AMONT DU RADIATEUR AVANT DE RÉALISER N'IMPORTE QUELLES CONNEXIONS À LA CARTE DE CONTRÔLE AFIN D'ÉVITER UNE POSSIBLE COMMOTION ÉLECTRIQUE.

1. Utilisez du fil isolé Classe 1 de NEC, supportant 600 V, pour tout câblage du circuit de contrôle.
2. Utilisez une cosse sertie en fourche sur les extrémités de fil pour réaliser la connexion à la carte de contrôle si plus d'un fil doit arriver sous la vis de terminaison.
3. Sur les radiateurs **non fournis avec un contacteur interne** (3 et 5 kW), référez-vous à la Figure 4 comme schéma de câblage.

REMARQUE : Le câblage de thermostat et de circuit de contrôle doit être prévu pour supporter la pleine charge du radiateur (par exemple un MUH0581 est spécifié pour 24 ampères).

4. Sur les radiateurs fournis avec un contacteur interne (7 et plus), référez-vous à la Figure 5 comme schéma de câblage. Le câblage pour le contrôle doit au moins être de calibre 18 AWG.

INSTRUCTIONS D'UTILISATION

1. Le radiateur doit être correctement installé avant d'être mis en marche.
2. Mettez le radiateur en marche (ON) au panneau de contrôle principal.
3. Là où c'est applicable, référez-vous aux instructions d'accessoires de contrôle en ce qui concerne le bon fonctionnement des accessoires ou contrôles utilisés avec le radiateur.

Comment restaurer la commande de sécurité sur dépassement de température : (Option installée en usine uniquement)

Le commutateur sur dépassement de limite est situé à l'intérieur vers l'arrière du radiateur.

Sur les modèles de 3 et 5 kW, l'accès au bouton de restauration est du côté droit (en regardant l'arrière du radiateur). Sur les autres modèles ce bouton est près du haut arrière du radiateur.

Cette commande de restauration manuelle après dépassement de limite est en série avec le protecteur de recyclage automatique (limite). La commande de restauration manuelle après dépassement de limite ne fonctionnera pas avant que le radiateur ne se soit refroidi, avec un appui sur le bouton.

⚠ AVERTISSEMENT ⚠

NE TOUCHEZ PAS ET NE CONTOURNEZ PAS LES LIMITES DE SÉCURITÉ À L'INTÉRIEUR DU RADIATEUR

ATTENTION ⚠

NE CONTINUEZ PAS D'ESSAYER D'UTILISER LE RADIATEUR SI SON CONTRÔLE DE SÉCURITÉ SE DÉCLENCHE À RÉPÉTITION APRÈS SA RESTAURATION. EN LE FAISANT VOUS POURRIEZ L'ENDOMMAGER DE FAÇON IRRÉMÉDIABLE OU CAUSER UN DÉPART D'INCENDIE OU DES RISQUES POUR LA SÉCURITÉ.

Il est important de garder propre le radiateur. Votre radiateur vous fournira des années de bon service et de confort avec juste un minimum de soins. Pour assurer son fonctionnement efficace, suivez les instructions ci-dessous.

⚠ AVERTISSEMENT ⚠

TOUTE INTERVENTION DE SERVICE AU-DELÀ D'UN SIMPLE NETTOYAGE, QUI NÉCESSITE UN DÉMONTAGE, DEVRA ÊTRE RÉALISÉE PAR DU PERSONNEL DE SERVICE QUALIFIÉ.

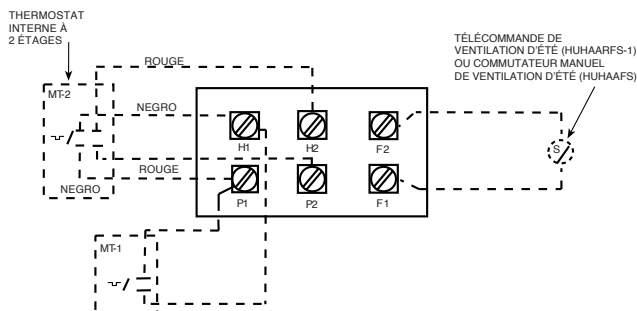


Figure 4. Carte de terminaison de commandes (pour radiateurs sans contacteur)

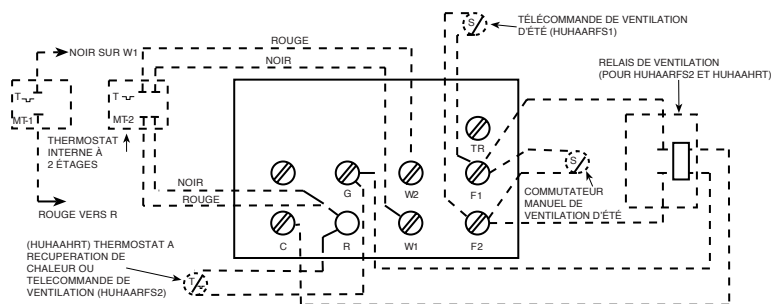


Figure 5. Carte de terminaison de commandes (pour radiateurs avec contacteur)

NOTES :

1. TYPE DE CARTE DE RACCORDEMENT UTILISÉ AVEC LES MODÈLES MUH0321, MUH0371, MUH0381, MUH0521, MUH0571, ET MUH0581.
2. QUAND LE RADIATEUR EST CÂBLÉ POUR DU MONOPHASÉ, RELIEZ H1 ET H2. SI UN THERMOSTAT UNIPOLAIRE EST UTILISÉ SUR UN RADIATEUR EN MONOPHASÉ, BRANCHEZ SES FILS SUR P1 ET H1.
3. DES THERMOSTATS ALIMENTÉS PAR TENSION EXTÉRIEURE SONT À CONSIDÉRER COMME À UN SEUL ÉTAGE.

NOTES :

1. TYPE DE CARTE DE RACCORDEMENT UTILISÉ AVEC LES MODÈLES MUH0321, MUH0371, MUH0381, MUH0521, MUH0571 ER MUH0581.
2. ÔTEZ LE CAVALIER ENTRE W1 ET W2 QUAND UN THERMOSTAT À 2 ÉTAGES EST UTILISÉ.
3. *SEULEMENT UN DE CES ACCESSOIRES PEUT ÊTRE INSTALLÉ SUR UN MÊME RADIATEUR.
4. DES THERMOSTATS ALIMENTÉS PAR TENSION EXTÉRIEURE SONT À CONSIDÉRER COMME À UN SEUL ÉTAGE.

AVERTISSEMENT

POUR RÉDUIRE LE RISQUE DE DÉPART D'INCENDIE ET DE COMMOTION ÉLECTRIQUE OU DE BLESSURE, DÉBRANCHEZ TOUTE ALIMENTATION ÉLECTRIQUE ALLANT AU RADIATEUR EN AMONT AU PANNEAU DE SERVICE, ET VÉRIFIEZ QUE L'ÉLÉMENT DE CHAUFFE EST FROID AVANT D'INTERVENIR POUR DU SERVICE OU DE L'ENTRETIEN.

Instructions de nettoyage par l'utilisateur :

1. Une fois que le radiateur est froid, vous pouvez utiliser un aspirateur avec son accessoire brosse pour éliminer la poussière et les peluches des surfaces extérieures du radiateur, y compris les ouvertures de la grille.
2. Avec un chiffon humide, enlevez toute poussière et peluche de la grille et des surfaces extérieures.
3. Remettez le radiateur sous tension et vérifiez son bon fonctionnement.

Instructions de nettoyage d'entretien :

(Ne doit être exécuté que par du personnel de service qualifié)

Au moins une fois par an le radiateur doit être nettoyé et vérifié par une personne de service qualifiée afin d'assurer un fonctionnement sûr et efficace. Cela doit inclure si nécessaire l'aspiration des poussières et débris des éléments et du ventilateur, et un contrôle du bon serrage de tous les raccords par cosses, avec un couple recommandé de 35 in-lbs. (3,9 N-m). Une fois le nettoyage et le service terminés, le radiateur doit être complètement remonté et son bon fonctionnement vérifié.

INSTRUCTIONS D'ENTRETIEN

Il est important de garder propre le radiateur. Votre radiateur vous fournira des années de bon service et de confort avec juste un minimum de soins. Pour assurer son fonctionnement efficace, suivez les instructions simples ci-dessous :

AVERTISSEMENT

TOUTE INTERVENTION DE SERVICE AU-DELÀ D'UN SIMPLE NETTOYAGE, QUI NÉCESSITE UN DÉMONTAGE, DEVRA ÊTRE RÉALISÉE PAR DU PERSONNEL DE SERVICE QUALIFIÉ.

AVERTISSEMENT

POUR RÉDUIRE LE RISQUE DE DÉPART D'INCENDIE ET DE COMMOTION ÉLECTRIQUE OU DE BLESSURE, DÉBRANCHEZ TOUTE ALIMENTATION ÉLECTRIQUE ALLANT AU RADIATEUR EN AMONT AU PANNEAU DE SERVICE, ET VÉRIFIEZ QUE L'ÉLÉMENT DE CHAUFFE EST FROID AVANT D'INTERVENIR POUR DU SERVICE OU DE L'ENTRETIEN.

Instructions de nettoyage par l'utilisateur :

1. Une fois que le radiateur est froid, vous pouvez utiliser un aspirateur avec son accessoire brosse pour éliminer la poussière et les peluches des surfaces extérieures du radiateur, y compris les ouvertures de la grille.
2. Avec un chiffon humide, enlevez toute poussière et peluche de la grille et des surfaces extérieures.
3. Remettez le radiateur sous tension et vérifiez son bon fonctionnement.

Instructions de nettoyage d'entretien :

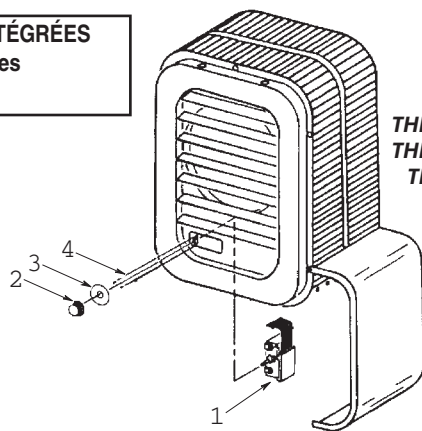
(Ne doit être exécuté que par du personnel de service qualifié)

Au moins une fois par an le radiateur doit être nettoyé et vérifié par une personne de service qualifiée afin d'assurer un fonctionnement sûr et efficace. Cela doit inclure si nécessaire l'aspiration des poussières et débris des éléments et du ventilateur, et un contrôle du bon serrage de tous les raccords par cosses, avec un couple recommandé de 35 in-lbs. (3,9 N-m). Une fois le nettoyage et le service terminés, le radiateur doit être complètement remonté et son bon fonctionnement vérifié.

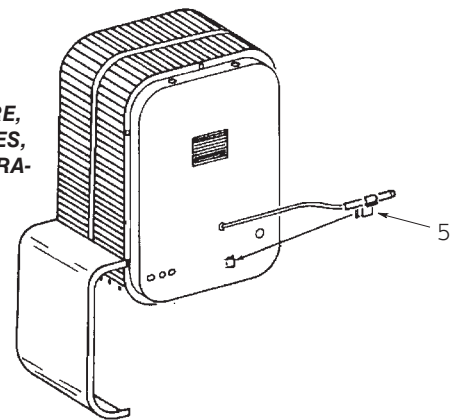
MUH Commandes intégrées

N° Réf.	Description	N° de pièce
1	Thermostat monopolaire (MT-1)	5813-0036-000
	Thermostat bipolaire (MT-2)	5813-0035-000
2	Bouton de thermostat	3301-0060-000
3	Étiquette de thermostat	3502-1781-000
4	Vis tête plate 6-32x1/4"	5202-7009-021
5	Attache de thermostat	1403-0041-000
6	Contacteur 25 A, OEM	5216-0132-000
	Contacteur 25 A, K & N	5216-0204-000
	Contacteur 63 A, OEM	5216-0131-000
	Contacteur 63 A, K & N	5216-0203-000
	Contacteur 25 A, Electro	5216-0200-000
7	Vis M4 x 10 tête ronde (25 A)	—
	Vis M5 x 16 tête ronde (63 A)	—
8	Bouton, 25 A OEM "T1"	OEM "T1"
	Bouton 25 A K&N	K & N S1B 6001
	Bouton 63 A OEM	OEM "S4"
	Bouton 63A K & N	K & N S2B G001
	Bouton 25 A Electro	EI 141747
9	Commutateur à bascule 600 V	5216-0130-000
10	Relais, ventilateur, bobine en 24 V	5018-0008-000
11	Ensemble de commutateur	5216-0199-000
12	Limite de restauration manuelle	4520-0012-000

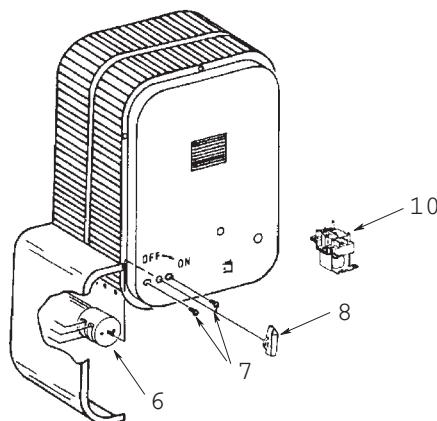
COMMANDES INTÉGRÉES Unités sur mesures uniquement



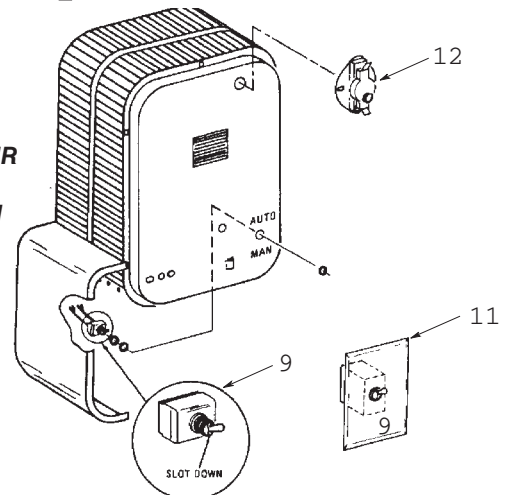
**THERMOSTAT MONOPOLAIRE,
THERMOSTAT À DEUX ÉTAGES,
THERMOSTAT DE RÉCUPÉRA-
TION DE CHALEUR**



INTERRUPTEUR DU SECTEUR

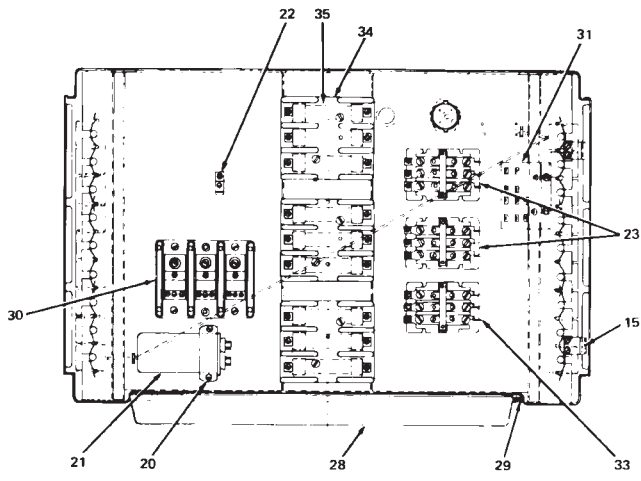


INTERRUPTEUR DE VENTILATION D'ÉTÉ

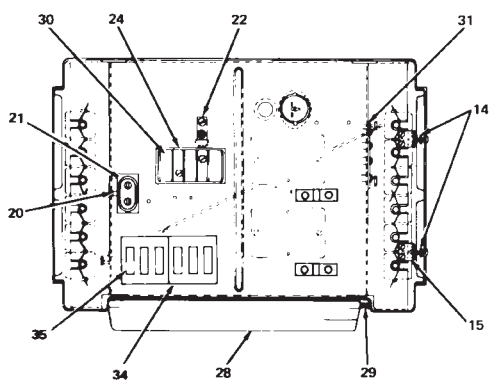
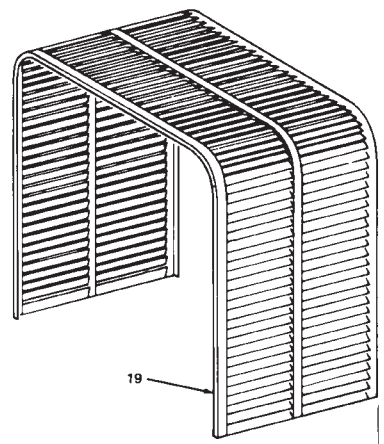
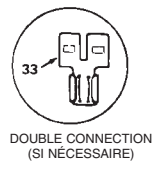


Pièces de rechange de chauffage

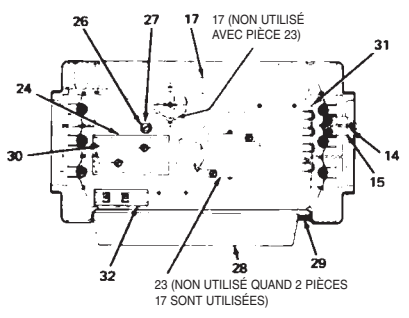
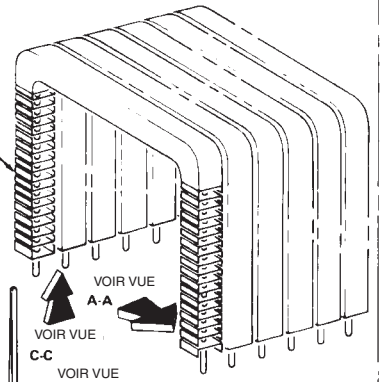
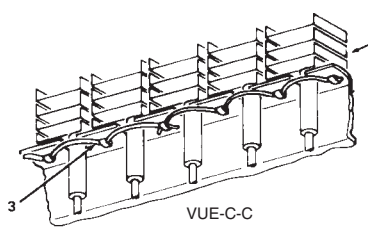
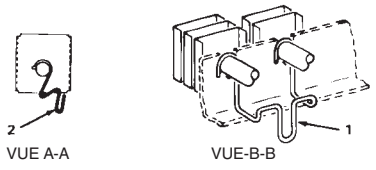
N° Réf.	Description	N° de pièce
1	Élément ressort (sur MUH-03 à MUH-20 seulement)	5208-0073-000
	Élément ressort (sur MUH-25 à MUH-50 seulement)	5208-0073-001
2	Ressort, tube capillaire	5208-0072-000
3	Élément de retenue ressort	5208-0074-000
4	Commutateur (sur MUH-25 à MUH-50 seulement)	5216-7076-001
5	Isolateur (sur MUH-25 à MUH-50 seulement)	2900-0031-000
6	Support prolongé (sur MUH-15, MUH-20, MUH-40 et MUH-50 seulement)	1215-0282-000
7	Commutateur le support	1215-0256-000
8	Retard ventilation	4520-0010-000
14	Écrou de vitesse	4100-7036-026
15	Support, vis captive (sur MUH-03 à MUH-20 seulement)	1215-0291-000
	Support, vis captive (sur MUH-25 à MUH-50 seulement)	1215-0289-000
17	Protecteur fin de course (sur MUH-03 à MUH-05 seulement)	4520-0011-000
	Protecteur fin de course (sur MUH-07 à MUH-20 seulement)	4520-0011-001
	Protecteur fin de course (sur MUH-25 à MUH-50 seulement)	4520-0011-002
20	Fixation (sur MUH-25 à MUH-50 seulement)	1417-5004-000
	Support, condensateur (sur MUH-20-8 seulement)	1215-0314-000
22	Cosse à borne (sur MUH-07 à MUH-50 seulement)	3504-7002-001
25	Bague (sur MUH-20 à MUH-50 seulement)	25221-60131
26	Rondelle de terre (sur MUH-03 à MUH-05 seulement)	6401-0084-000
27	Vis de terre (sur MUH-03 à MUH-05 seulement)	5202-0290-002
28	Grille d'air (sur MUH-03 à MUH-05 seulement)	3503-0036-000
	Grille d'air (sur MUH-07 à MUH-20 seulement)	3503-0036-001
	Grille d'air (sur MUH-25 à MUH-50 seulement)	3503-0036-002
29	Ressort de grille d'air	5208-7005-001
32	Bornier triphasé (sur MUH-05-21, MUH-07-2 et MUH-10-2 seulement)	5823-0003-000
	Bornier triphasé (sur MUH-05-81, MUH-07-8 et MUH-15-8 seulement)	5823-0003-000
33	Doubleurs de bornes (selon le besoin)	5819-7012-005



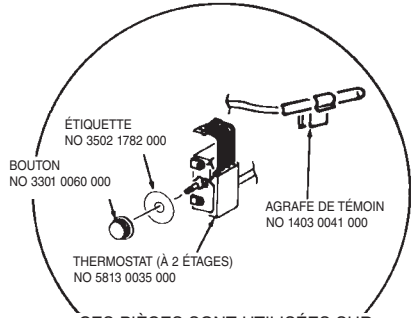
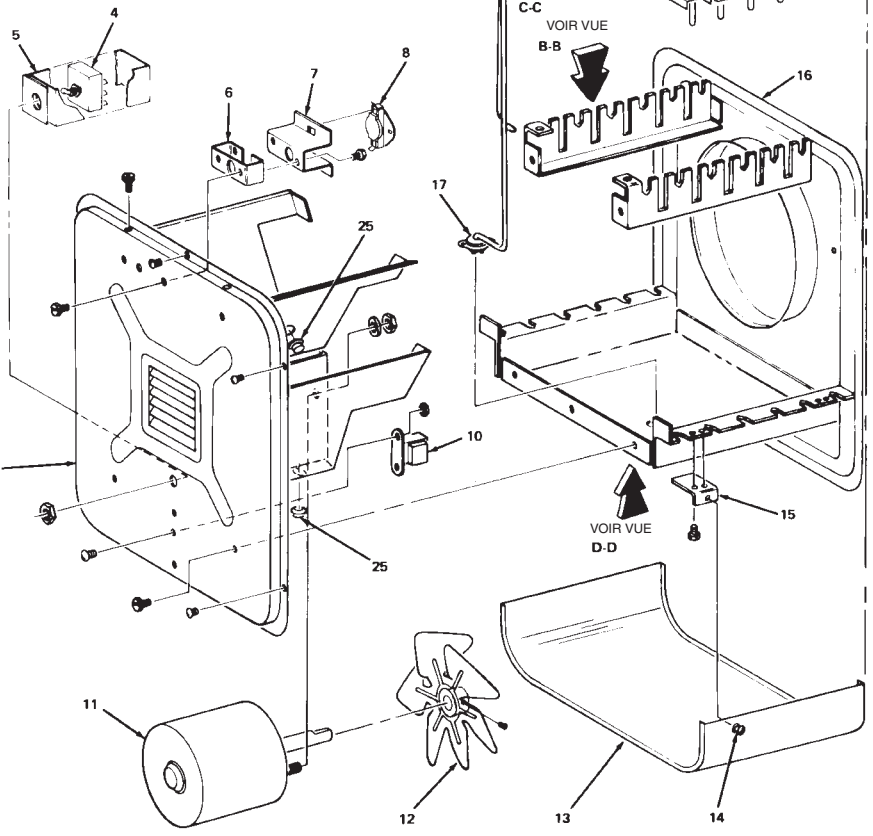
VUE D-D
(MUH-25 À MUH-50 SEULEMENT)



VUE D-D
(MUH-07 À MUH-20 SEULEMENT)



VUE D-D
(MUH-03 À MUH-05 SEULEMENT)



CES PIÈCES SONT UTILISÉES SUR
MODÈLES MUH05-21T SEULEMENT

N° de modèle	⑨ Carter arrière	⑩ Transformateur**	⑪ Moteur	⑫ Lame de ventilateur	⑬ Couvercle	⑯ Carter avant	⑱ Élément de chauffe	⑲ Protection d'élément	⑳ Condensateur
MUH03-21	1425-2004-000	—	3900-2002-006	1210-2000-000	1402-0336-001	1425-0009-005	1802-0087-000	2504-0011-000	—
MUH03-41	1425-2004-000	5814-0003-002	3900-2005-000	1210-2000-000	1402-0336-001	1425-0009-005	1802-0087-002	2504-0011-000	—
MUH03-71	1425-2004-000	—	3900-2002-007	1210-2000-000	1402-0336-001	1425-0009-005	1802-0087-001	2504-0011-000	—
MUH03-81	1425-2004-000	—	3900-2002-006	1210-2000-000	1402-0336-001	1425-0009-005	1802-0087-024	2504-0011-000	—
MUH05-21MG	1425-2004-000	—	3900-2002-006	1210-2000-000	1402-0336-001	1425-0009-005	1802-0087-003	2504-0011-000	—
MUH05-41	1425-2004-000	5814-0003-002	3900-2005-000	1210-2000-000	1402-0336-001	1425-0009-005	1802-0087-005	2504-0011-000	—
MUH05-71	1425-2004-000	—	3900-2002-007	1210-2000-000	1402-0336-001	1425-0009-005	1802-0087-004	2504-0011-000	—
MUH05-81MG	1425-2004-000	—	3900-2002-006	1210-2000-000	1402-0336-001	1425-0009-005	1802-0087-025	2504-0011-000	—
MUH-07-2	1425-0010-004	5814-0003-000	3900-2014-002	1210-0090-000	1402-0339-002	1425-0009-006	1802-0087-006	2504-0013-001	—
MUH-07-4	1425-0010-004	5814-0003-002	3900-0347-005	1210-0090-000	1402-0339-002	1425-0009-006	1802-0087-008	2504-0013-001	—
MUH-07-7	1425-0010-004	5814-0003-001	3900-2014-003	1210-0090-000	1402-0339-002	1425-0009-006	1802-0087-007	2504-0013-001	—
MUH-07-8	1425-0010-004	5814-0003-000	3900-2014-001	1210-0090-000	1402-0339-002	1425-0009-006	1802-0087-031	2504-0013-001	—
MUH-10-2	1425-0010-004	5814-0003-000	3900-2014-002	1210-0090-000	1402-0339-002	1425-0009-006	1802-0087-031	2504-0013-001	—
MUH-10-4	1425-0010-004	5814-0003-002	3900-0347-005	1210-0090-000	1402-0339-002	1425-0009-006	1802-0087-011	2504-0013-001	—
MUH-10-7	1425-0010-004	5814-0003-001	3900-2014-003	1210-0090-000	1402-0339-002	1425-0009-006	1802-0087-010	2504-0013-001	—
MUH-10-8	1425-0010-004	5814-0003-000	3900-2014-001	1210-0090-000	1402-0339-002	1425-0009-006	1802-0087-036	2504-0013-001	—
MUH-15-2	1425-0014-000	5814-0003-000	3900-0361-000	1210-0090-001	1402-0339-003	1425-0009-007	1802-0087-012	2504-0012-001	—
MUH-15-4	1425-0014-000	5814-0003-002	3900-0361-001	1210-0090-001	1402-0339-003	1425-0009-007	1802-0087-013	2504-0012-001	—
MUH-15-8	1425-0014-000	5814-0003-000	3900-0361-002	1210-0090-001	1402-0339-003	1425-0009-009	1802-0087-031	2504-0012-001	—
MUH-20-2	1425-0013-000	5814-0003-000	3900-0362-000	1210-0096-000	1402-0339-003	1425-0009-007	1802-0087-014	2504-0012-001	1432-0002-003
MUH-20-4	1425-0013-000	5814-0003-002	3900-0362-001	1210-0096-000	1402-0339-003	1425-0009-007	1802-0087-015	2504-0012-001	1432-0002-003
MUH-20-8	1425-0013-000	5814-0003-000	3900-0362-002	1210-0096-000	1402-0339-003	1425-0009-011	1802-0087-026	2504-0012-001	1432-0002-003
MUH-25-2	1425-0011-003	5814-0003-000	3900-0364-000	1210-0098-000	1402-0340-002	1425-0012-003	1802-0087-016	2504-0014-001	1432-0002-001
MUH-25-4	1425-0011-003	5814-0003-002	3900-0363-001	1210-0098-000	1402-0340-002	1425-0012-003	1802-0087-017	2504-0014-001	1432-0002-003
MUH-30-2	1425-0011-003	5814-0003-000	3900-0364-000	1210-0098-000	1402-0340-002	1425-0012-003	1802-0087-018	2504-0014-001	1432-0002-001
MUH-30-4	1425-0011-003	5814-0003-002	3900-0363-000	1210-0098-000	1402-0340-002	1425-0012-003	1802-0087-019	2504-0014-001	1432-0002-003
MUH-30-8	1425-0011-003	5814-0003-000	3900-0364-000	1210-0098-000	1402-0340-002	1425-0009-009	1802-0087-028	2504-0014-001	1432-0002-001
MUH-40-2	1425-0011-001	5814-0003-000	3900-0350-000	1210-0097-000	1402-0340-003	1425-0012-002	1802-0087-020	2504-0015-001	1432-0002-004
MUH-40-4	1425-0011-001	5814-0003-002	3900-0350-001	1210-0097-000	1402-0340-003	1425-0012-002	1802-0087-021	2504-0015-001	1432-0002-004
MUH-50-2	1425-0011-001	5814-0003-000	3900-0350-000	1210-0097-000	1402-0340-003	1425-0012-002	1802-0087-022	2504-0015-001	1432-0002-004
MUH-50-4	1425-0011-001	5814-0003-002	3900-0350-001	1210-0097-000	1402-0340-003	1425-0012-002	1802-0087-023	2504-0015-001	1432-0002-004
MUH-50-8	1425-0011-001	5814-0003-000	3900-0350-002	1210-0097-000	1402-0340-003	1425-0012-002	1802-0087-030	2504-0015-001	1432-0002-004

N° de modèle	⑳ Relais***	㉑ Isolateur	⑳ T Bornier secteur r	㉑ Tr Bornier commandes	㉒ I Bornier fusible	㉓ Fusible
MUH03-21	—	—	5823-0004-000	5823-0001-000	—	—
MUH03-41	5018-0004-100	2900-0030-000	5823-0004-000	5823-0002-000	—	—
MUH03-71	—	2900-0030-000	5823-0004-000	5823-0001-000	—	—
MUH03-81	—	—	5823-0004-000	5823-0001-000	—	—
MUH05-21MG	5018-0003-002	—	5823-0004-000	5823-0002-000	—	—
MUH05-41	5018-0004-100	2900-0030-000	5823-0004-000	5823-0002-000	—	—
MUH05-71	—	2900-0030-000	5823-0004-000	5823-0001-000	—	—
MUH05-81MG	5018-0003-002	—	5823-0004-000	5823-0002-000	—	—
MUH-07-2	5018-0003-000	—	5823-0004-000	5823-0002-000	—	—
MUH-07-4	5018-0004-100	2900-0030-000	5823-0004-000	5823-0002-000	—	—
MUH-07-7	5018-0004-100	2900-0030-000	5823-0004-000	5823-0002-000	—	—
MUH-07-8	5018-0003-000	—	5823-0004-000	5823-0002-000	—	—
MUH-10-2	5018-0003-000	—	5823-0004-000	5823-0002-000	—	—
MUH-10-4	5018-0004-100	2900-0030-000	5823-0004-000	5823-0002-000	—	—
MUH-10-7	5018-0003-000	2900-0030-000	5823-0004-000	5823-0002-000	—	—
MUH-10-8	5018-0004-100	—	5823-0004-000	5823-0002-000	—	—
MUH-15-2	5018-0005-004	—	5823-0004-001	5823-0002-000	—	—
MUH-15-4	5018-0004-100	2900-0030-000	5823-0004-000	5823-0002-000	—	—
MUH-15-8	5018-0005-008	—	5823-0004-003	5823-0002-000	2025-0002-000	2019-0007-010
MUH-20-2	5018-0006-000	—	5823-0004-002	5823-0002-000	—	—
MUH-20-4	5018-0004-100	2900-0030-000	5823-0004-000	5823-0002-000	—	—
MUH-20-8	5018-0005-000	—	5823-0004-002	5823-0002-000	2025-0002-000	2019-0007-008
MUH-25-2	5018-0005-004	—	5823-0004-002	5823-0002-000	2025-7002-000	2019-7008-077
MUH-25-4	5018-0005-004	2900-0030-000	5823-0004-001	5823-0002-000	—	—
MUH-30-2	5018-0005-004	—	5823-0004-003	5823-0002-000	2025-7002-000	2019-7008-079
MUH-30-4	5018-0005-004	2900-0030-000	5823-0004-001	5823-0002-000	—	—
MUH-30-8	5018-0006-000	—	5823-0005-000	5823-0002-000	2025-7002-000	2019-7008-080
MUH-40-2	5018-0005-004	—	5823-0005-000	5823-0002-000	2025-7002-000	2019-7008-079
MUH-40-4	*	2900-0030-000	5823-0004-002	5823-0002-000	2025-7002-000	2019-7008-079
MUH-50-2	5018-0005-004	—	5823-0005-000	5823-0002-000	2025-7002-000	2019-7008-080
MUH-50-4	*	2900-0030-000	5823-0004-002	5823-0002-000	—	—
MUH-50-8	5018-0006-000	—	5823-0005-000	5823-0002-000	2025-7002-000	2019-7008-078

* Deux relais sont utilisés : N° 5018-0004-000 (35 A) et N° 5018-0006-000 (40 A)

** Secondaire en 24 V montré. Pour un secondaire en 120 V augmenter de 3 le dernier chiffre (par exemple pour un MUHO3-41 à secondaire 24 V utiliser le numéro 5814-0003-002, mais pour le même en secondaire 120 V utiliser 5814-0003-005).

*** Montrer en commande sous 24 V. Pour une commande en 120 V augmenter de 1 le dernier chiffre (par exemple pour un MUHO3-41 à commande en 24 V utiliser le numéro 5018-0004-000, mais pour le même en commande 120 V utiliser 5018-0004-001).01.)

GARANTIE LIMITÉE

Tous les produits fabriqués par Marley Engineered Products sont garantis contre les défauts de fabrication et de matériau pendant une année à compter de leur date d'installation, sauf les éléments chauffants, lesquels sont garantis contre les défauts de fabrication et de matériau pendant cinq ans à compter de la date d'installation. Cette garantie ne couvre pas les dommages causés par un accident, une mauvaise utilisation ou une altération et ne s'applique pas si la tension d'alimentation dépasse de 5% ou plus celle de la plaque signalétique, si l'équipement est mal installé, mal câblé ou mal entretenu, contrairement aux instructions d'installation et d'utilisation du produit. Toutes les réclamations sous garantie doivent être accompagnées d'une preuve de date d'installation.

Le client sera responsable de tous les coûts encourus pour enlever et réinstaller le produit, ce qui inclut les frais de main d'œuvre et les frais de port encourus pour retourner le produit au centre de réparation de la société Marley Engineered Products. Sous réserve des restrictions figurant dans cette garantie, tout appareil défectueux doit être retourné au centre de réparation agréé par Marley le plus près ou au centre de réparation de la société Marley Engineered Products. Il sera ensuite gratuitement réparé ou remplacé, à notre discrétion, et les frais de port de retour seront pris en charge par Marley. Il est entendu que cette réparation ou ce remplacement constitue le seul et unique recours disponible auprès de la société Marley Engineered Products.

LA GARANTIE CI-DESSUS REMPLACE ET PRÉVAUT SUR TOUTE AUTRE GARANTIE EXPRESSE OU IMPLICITE ET TOUTE GARANTIE IMPLICITE DE COMMERCIALISATION OU DE CONVENANCE À UN USAGE QUELCONQUE ALLANT AU-DELÀ DE LA GARANTIE EXPRESSE CI-DESSUS EST PAR LES PRÉSENTES RÉFUTÉE ET EXCLUE DE CETTE ENTENTE. LA SOCIÉTÉ MARLEY ENGINEERED PRODUCTS NE PEUT SOUS AUCUNE CIRCONSTANCE ÊTRE RESPONSABLE DE QUELQUE DOMMAGE ACCESSOIRE ASSOCIÉ À CE PRODUIT, SANS QU'IL SOIT POSSIBLE D'INVOQUER UNE NÉGLIGENCE, UN DÉLIT CIVIL, UNE RESPONSABILITÉ STRICTE OU UNE OBLIGATION CONTRACTUELLE.

Puisque certaines juridictions interdisent d'exclure ou de limiter les dommages indirects et accessoires, il est possible que les exclusions et restrictions ci-dessus ne s'appliquent pas à vous. Cette garantie vous accorde des droits juridiques spécifiques, mais il est possible que vous ayez également d'autres droits selon votre lieu de résidence.

Pour connaître l'adresse du centre de réparation agréé le plus près, contactez la société Marley Engineered Products à Bennettsville (Caroline du Sud) au 1-800-642-4328. Les produits retournés à l'usine doivent être accompagnés d'un numéro d'autorisation de retour et d'une étiquette d'identification de service, tous deux disponibles auprès de la société Marley Engineered Products. Lorsque vous demandez une autorisation de retour, indiquez tous les numéros de catalogue indiqués sur les produits.

POUR OBTENIR UNE RÉPARATION OU DES PIÈCES SOUS GARANTIE, DE MÊME QUE DES INFORMATIONS GÉNÉRALES

1. Réparations et pièces sous garantie **1-800-642-4328**
2. Achat de pièces de rechange **1-800-654-3545**
3. Informations générales sur les produits **www.marlymep.com**

Remarque : Lorsque vous demandez une intervention, ayez toujours en main les informations suivantes :

1. Numéro de modèle du produit
2. Date de fabrication
3. Numéro de pièce ou description



Marley[®]
Engineered Products

470 Beauty Spot Rd. East
Bennettsville, SC 29512 USA