

T915A-D,F,M,P Proportional Temperature Controllers

Remote bulb temperature controllers for ducts, tanks, boilers, pipes, and other heat exchangers. These controllers are used with modulating motors for proportional control of three-wire, low-voltage valves or damper motors.



- T915M and T915P have spdt switches to control Series 20 motors. T915M controls at high or low end; T915P controls at low end.
- Controllers may be used to regulate temperatures of either air or liquids.
- All models ambient compensated.
- Capillary tubing allows remote bulb mounting up to 20 ft (6.0m) from controller case.
- Temperature setting scale markings in both Fahrenheit and Celsius.
- Steel case with clear plastic cover makes settings readily visible.
- Surface mounting using two screws through back of case.

CONTENTS

<i>Specifications</i>	2
<i>Ordering Information</i>	2
<i>Installation</i>	4
<i>Operation</i>	6
<i>Settings and Adjustments</i>	6

Specifications

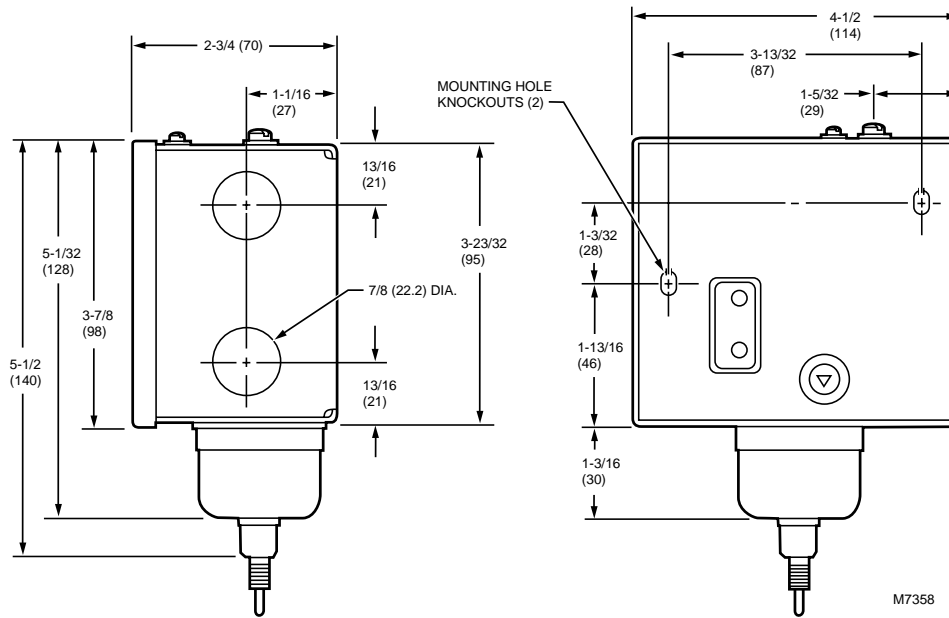
MODELS (also refer to Table 1):

- T915A: One potentiometer for controlling a modulating motor. Nonadjustable throttling range.
- T915B: Two potentiometers for controlling two modulating motors in unison or in sequence, factory set for unison control. Nonadjustable throttling range.
- T915C: One potentiometer for controlling a modulating motor. Adjustable throttling range.
- T915D: Two potentiometers for controlling two modulating motors in unison. Adjustable throttling range.
- T915F: Two potentiometers for controlling two modulating motors in sequence. Adjustable deadspot between potentiometers and adjustable throttling range.
- T915M and T915P: One potentiometer and Series 20 contacts for controlling one modulating motor and one

Series 20 motor or relay in sequence on a temperature rise. The Series 20 contacts on the T915M operate above the throttling range and the Series 20 contacts on the T915P operate below the throttling range. Both models have nonadjustable throttling ranges and differentials.

- BULB HOLDER:** Furnished with copper elements.
- RANGES:** Fahrenheit and Celsius on the same scaleplate.
- TEMPERATURE SETTING:** Screws on top of controller provide main and differential adjustment.
- ELECTRICAL RATING:** Low voltage ac only.
- POTENTIOMETER:** Standard 135 ohm. Available with 280 ohm potentiometer in some models; see Table 1.
- FINISH:** Gray enamel.
- DIMENSIONS:** See Fig. 1.

Fig. 1—Mounting dimensions in in. (mm).



Ordering Information

When purchasing replacement and modernization products from your TRADELINE® wholesaler or distributor, refer to the TRADELINE® Catalog or price sheets for complete ordering number, or specify—

1. Order number.
2. Scale range.
3. Bulb size.
4. Capillary length.
5. Accessories, if desired.

If you have additional questions, need further information, or would like to comment on our products or services, please write or phone:

1. Your local Home and Building Control Sales Office (please check the white pages of your phone directory).
2. Home and Building Control Customer Logistics
 Honeywell, Inc., 1885 Douglas Drive North
 Minneapolis, Minnesota 55422-4386 (612) 951-1000

In Canada—Honeywell Limited/Honeywell Limitée, 740 Ellesmere Road, Scarborough, Ontario M1P2V9. International Sales and Service Offices in all principal cities of the world. Manufacturing in Australia, Canada, Finland, France, Germany, Japan, Mexico, Netherlands, Spain, Taiwan, United Kingdom, U.S.A.

ACCESSORIES:

1. 33312B Knurled Knob for finger adjustment of temperature setpoint.
2. 311266D Bulb Holder for mounting sensing bulb in an air duct (furnished with some models).

3. Immersion well assemblies or pressure fittings—see appropriate Honeywell specification or TRADELINE® Catalog to order. Wells available in copper and stainless steel.

TABLE 1—T915 TEMPERATURE CONTROLLER MODELS.

Model Number	Scale Range		Throttle Range ^a		Maximum Bulb Temperature		Capillary (Copper)		Size of Bulb		Type of Fill ^b	Potentiometer Resistance (ohms)	Controls
	°F	°C	°F	°C	°F	°C	ft	m	in.	mm			
T915A	15 to 90	-9 to +32	3, fixed ^c	1.7, fixed ^c	200	93	5	1.5	1/2 x 4	13 x 102	LTD	135	1 modulating motor
T915B	15 to 90	-9 to +32	3, fixed ^f	1.7, fixed ^f	130	54	5	1.5	11/16 x 14-1/2	17 x 368	CA	135	2 modulating motors in unison or sequence ^d
T915C	15 to 90	-9 to +32	7 to 38	3.9 to 21.1	200	93	11	3.4	1/2 x 4	13 x 102	LTD	135	1 modulating motor
T915C	15 to 90	-9 to +32	7 to 38	3.9 to 21.1	200	93	20	6.1	1/2 x 4	13 x 102	LTD	135	
T915C	15 to 90	-9 to +32	7 to 38	3.9 to 21.1	130	54	5	1.5	11/16 x 14-1/2	17x 368	CA	135	
T915C	15 to 90	-9 to +32	7 to 38	3.9 to 21.1	130	54	15	4.5	11/16 x 7	17 x 177	CA	135	
T915C	15 to 90	-9 to +32	7 to 38	3.9 to 21.1	130	54	5	1.5	11/16 x 14-1/2	17 x 368	CA	280	
T915C	80 to 210	27 to 99	6 to 32	3.3 to 17.8	230	110	5	1.5	1/2 x 4	13 x 102	HT	135	
T915C	80 to 120	27 to 99	6 to 32	3.3 to 17.8	230	110	20	6.1	1/2 x 4	13 x 102	HT	135	
T915D	15 to 90	-9 to +32	7 to 38	3.9 to 21.1	130	54	5	1.5	11/16 x 14-1/2	17 x 368	CA	135	
T915D	15 to 90	-9 to +32	7 to 38	3.9 to 21.1	130	54	20	6.1	11/16 x 17-1/2	17 x 445	CA	135	
T915D	105 to 220	40 to 105	9 to 39	5.0 to 21.7	240	116	5	1.5	1/2 x 4	13 x 102	HT	135	
T915F	15 to 90	-9 to +32	8 to 52	4.4 to 28.9	130	54	5	1.5	11/16 x 14-1/2	17 x 368	CA	135	2 modulating motors in sequence
T915F	15 to 90	-9 to +32	8 to 52	4.4 to 28.9	130	54	20	6.1	11/16 x 17-1/2	17 x 445	CA	135	
T915M ^e	15 to 90	-9 to +32	3, fixed ^c	1.7, fixed ^c	130	54	5	1.5	11/16 x 14-1/2	17 x 368	CA	135	1 modulating motor and 1 Series 20 motor or relay
T915M	105 to 220	40 to 105	3, fixed ^c	1.7, fixed ^c	240	116	5	1.5	1/2 x 4	13 x 102	HT	135	
T915P ^f	15 to 90	-9 to +32	3, fixed ^c	1.7, fixed ^c	130	54	5	1.5	11/16 x 14-1/2	17 x 368	CA	135	

^a Throttling range adjustable except where noted.

^b LTD—Limited-fill elements require that controller, including all of capillary (except bulb and adjacent 4 in. [102 mm] of capillary), be in an ambient temperature at least 10°F (5.6°C) above bulb temperature. These controllers become inoperative when temperature of controlled air or liquid is above 120°F (49°C).

HT—High-temperature-fill elements require that controller and all of capillary (except bulb and adjacent 4 in. [102 mm] of capillary) be in an ambient temperature at least 10°F (5.6°C) below bulb temperature.

CA—Cross ambient.

^c Wiper moves toward W on temperature rise.

^d Factory set for unison control.

^e Spdt contacts operate approximately 1°F (0.6°C) above the throttling range (0.5°F [0.3°C] differential at midscale).

^f Spdt contacts operate approximately 1°F (0.6°C) below the throttling range (0.5°F [0.3°C] differential at midscale).